

Excellent Integrated System Limited

Stocking Distributor

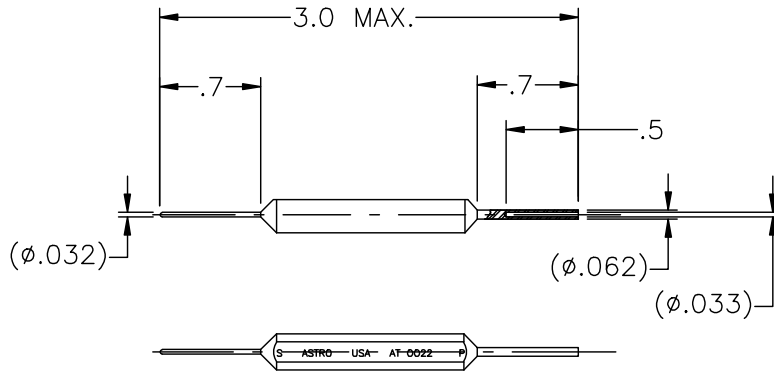
Click to view price, real time Inventory, Delivery & Lifecycle Information:

[Astro Tool Corp.](#)
[AT 0022](#)

For any questions, you can email us directly:

sales@integrated-circuit.com


AT 0022-ENV



**UNCONTROLLED DOCUMENT
WILL NOT BE UPDATED**

2. COLOR CODE: GREEN.

NOTES: 1. THIS IS AN AUTOCAD DRAWING DO NOT CHANGE MANUALLY.

					THESE DRAWINGS, SPECIFICATIONS OR OTHER DATA ARE AND REMAIN, THE PROPERTY OF ASTRO TOOL CORP. AND MUST BE RETURNED UPON REQUEST. THEY CONTAIN INFORMATION OWNED AND/OR DEVELOPED BY ASTRO AT ITS OWN PRIVATE EXPENSE AND MAY NOT BE USED, DUPLICATED OR DISCLOSED TO OTHERS, IN WHOLE OR IN PART FOR DESIGN, MANUFACTURE OR PROCUREMENT WITHOUT THE WRITTEN PERMISSION OF ASTRO TOOL CORP. EACH AND EVERY TIME.	SCALE: N.T.S.	UNLESS OTHERWISE SPECIFIED: DECIMALS: .XXX $\pm .005$.XX $\pm .010$.X $\pm .030$ ANGLES: $\pm 1^\circ$	 21615 S.W. TUALATIN VALLEY HWY., BEAVERTON OR 97006 CAGE 58164
A	NEW RELEASE.	DYO	10-28-10	MMK		DWN BY: DYO		DESCRIPTION: ENVELOPE DRAWING: AT 0022 CONTACT GAGE, REF: SIZE 22
REV.	DESCRIPTION	BY	DATE	APR.		DATE: 10-28-10		PART NO. A AT 0022-ENV