

Excellent Integrated System Limited

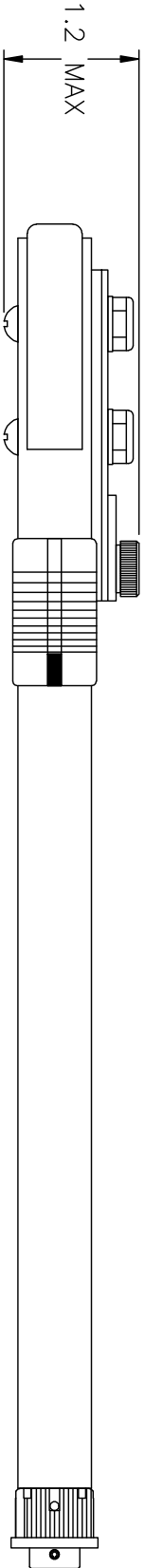
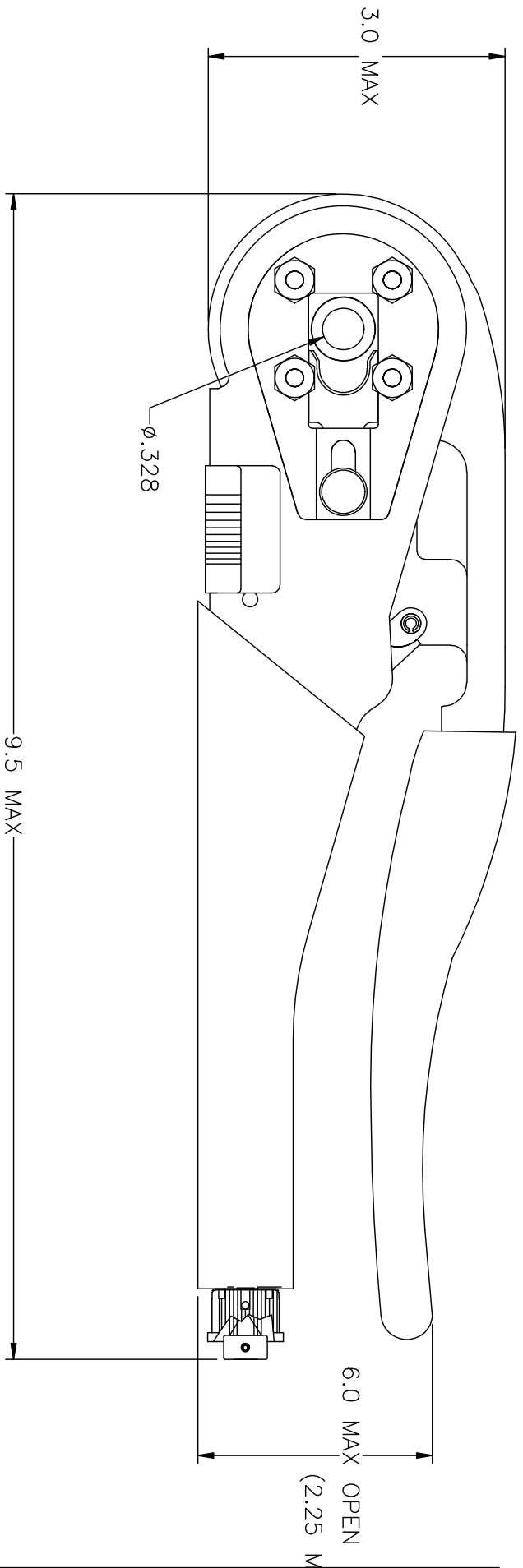
Stocking Distributor

Click to view price, real time Inventory, Delivery & Lifecycle Information:

[Astro Tool Corp.](#)
[EUS101](#)

For any questions, you can email us directly:

sales@integrated-circuit.com



**UNCONTROLLED DOCUMENT
WILL NOT BE UPDATED**

- NOTES:
2. GAGING RANGE: .068" (1.7MM) - .125" (.31MM)
 1. THIS IS AN AUTOCAD DRAWING DO NOT CHANGE MANUALLY.

REV.	DESCRIPTION	BY	DATE	APR.
A	NEW RELEASE	DY0	06-19-09	MMK

THESE DRAWINGS, SPECIFICATIONS OR OTHER DATA ARE AND REMAIN THE PROPERTY OF ASTRO TOOL CORP. AND MUST BE RETURNED UPON REQUEST. THEY CONTAIN INFORMATION OWNED AND/OR DEVELOPED BY ASTRO AT ITS OWN PRIVATE EXPENSE AND MAY NOT BE USED, REPRODUCED OR DISCLOSED TO OTHERS, IN WHOLE OR IN PART FOR DESIGN, MANUFACTURE OR PROCUREMENT WITHOUT THE WRITTEN PERMISSION OF ASTRO TOOL CORP. EACH AND EVERY TIME.


SCALE:
N.T.S.

DWN BY:
DY0

DATE:
06-19-09

APPROVED:

UNLESS OTHERWISE SPECIFIED:
DECIMALS:
.XXX ± .005
.XX ± .010
.X ± .030
ANGLES:
± 1°

 <p>ASTRO TOOL CORP. 2615 S.W. TUALATIN VALLEY HWY., BEAVERTON, OR 97008</p>	
DESCRIPTION:	ENVELOPE DRAWING CRIMP TOOL, LARGE
PART NO.	B11