

Excellent Integrated System Limited

Stocking Distributor

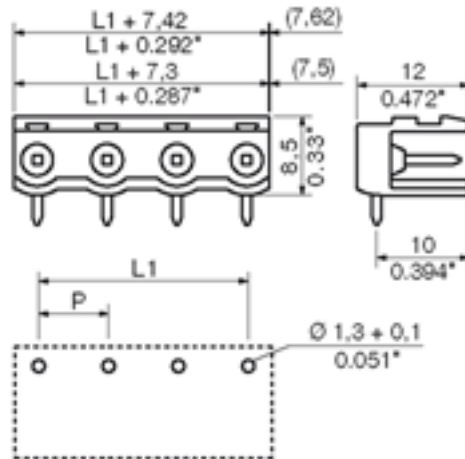
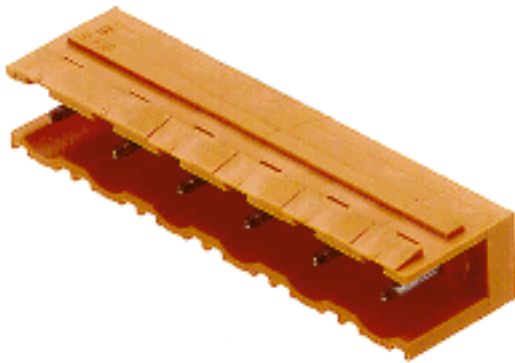
Click to view price, real time Inventory, Delivery & Lifecycle Information:

[Weidmüller](#)
[1628360000](#)

For any questions, you can email us directly:

sales@integrated-circuit.com

Product catalogue | PCB connection systems | PCB plug-in connectors | Pitch 7.50 / 7.62 mm (0.295 / 0.300 inch) | Plug connectors, solder connection, pitch 7.50/7.62 | SL 7.50-7.62/90 | SL 7.50/90



General ordering data

| | |
|------------------|--|
| Order No. | 1628360000 |
| Part designation | SL 7.50/2/90 3.2SN OR |
| Version | PCB plug-in connector, Male connectors, Soldered connection, Pitch: 7.50 mm, No. of poles: 2, 90°, Box |
| EAN | 4008190201166 |
| Qty. | 100 pc(s). |

System parameters

| | |
|-----------------------------|---------------------|
| Fitted to PCB | Soldered connection |
| Outgoing elbow | 90° |
| Pitch | 7.5 mm |
| Pitch in inch | 0.295 inch |
| No. of poles | 2 |
| Solder pin length | 3.2 mm |
| Can be coded | Yes |
| No. of rows | 1 |
| No. of solder pins per pole | 1 |
| Dia. of fitting hole | 1.3 mm |
| Fitting hole tolerance | + 0.1 mm |
| L1 in mm | 7.5 mm |
| L1 in inch | 0.295 inch |
| Insulation resistance | 1 MΩ |

Product catalogue | PCB connection systems | PCB plug-in connectors | Pitch 7.50 / 7.62 mm (0.295 / 0.300 inch) | Plug connectors, solder connection, pitch 7.50/7.62 | SL 7.50-7.62/90 | SL 7.50/90

System parameters

Electric shock protection to DIN VDE 0470 Safe from finger touch, plugged

Material data

| | |
|---------------------------------------|---------------------|
| Insulating material | PBT |
| Colour | orange |
| colour chart | Similar to RAL 2000 |
| Insulating material group | IIIa |
| Flammability class UL 94 | V-0 |
| CTI | >= 200 |
| Contact base material | CuSn |
| Contact surface | tinned |
| Constant operating temp., min. | -25 °C |
| Constant operating temp., max. | 100 °C |
| Storage temperature, min. | -25 °C |
| Storage temperature, max. | 55 °C |
| Max. relative humidity during storage | 80 % |

DIN IEC rating data

| | |
|--|-------------------|
| Rated current, min. No. pins (Tu=20°C) | 18.5 A |
| Rated current, max. No. pins (Tu=20°C) | 17 A |
| Rated current, min. No. pins (Tu=40°C) | 16 A |
| Rated current, max. No. pins (Tu=40°C) | 14.5 A |
| Rated voltage for overvoltage class/pollution severity III/3 | 500 V |
| Rated impulse withstand voltage for overvoltage class/pollution severity III/3 | 6 kV |
| Rated voltage for overvoltage class/pollution severity III/2 | 630 V |
| Rated impulse withstand voltage for overvoltage class/pollution severity III/2 | 6 kV |
| Rated voltage for overvoltage class/pollution severity II/2 | 800 V |
| Rated impulse withstand voltage for overvoltage class/pollution severity II/2 | 6 kV |
| Short-time withstand current resistance | 3 x 1s with 120 A |

CSA rating data

| | |
|-----------------------------|-------|
| Rated voltage (Use group D) | 300 V |
| Rated current (Use group D) | 10 A |

UL 1059 rating data

| | |
|-----------------------------|-------|
| Rated voltage (Use group D) | 300 V |
| Rated current (Use group D) | 10 A |

Product catalogue | PCB connection systems | PCB plug-in connectors | Pitch 7.50 / 7.62 mm (0.295 / 0.300 inch) | Plug connectors, solder connection, pitch 7.50/7.62 | SL 7.50-7.62/90 | SL 7.50/90

Approvals

Approvals institutes



Downloads

CAD Library (P-CAD Format - Standard) SL.LIB

Classifications

| | |
|------------|-------------|
| ETIM 2.0 | NK |
| ETIM 3.0 | EC001284 |
| eClass 4.1 | 27-26-07-01 |
| eClass 5.0 | 27-26-07-01 |
| eClass 5.1 | 27-26-07-04 |

Similar products

| Order No. | Part designation | Version |
|------------|------------------------|---|
| 1628370000 | SL 7.50/3/90 3.2SN OR | PCB plug-in connector, Male connectors, Soldered connection, Pitch: 7.50 mm, No. of poles: 3, 90°, Box |
| 1628380000 | SL 7.50/4/90 3.2SN OR | PCB plug-in connector, Male connectors, Soldered connection, Pitch: 7.50 mm, No. of poles: 4, 90°, Box |
| 1628390000 | SL 7.50/5/90 3.2SN OR | PCB plug-in connector, Male connectors, Soldered connection, Pitch: 7.50 mm, No. of poles: 5, 90°, Box |
| 1628400000 | SL 7.50/6/90 3.2SN OR | PCB plug-in connector, Male connectors, Soldered connection, Pitch: 7.50 mm, No. of poles: 6, 90°, Box |
| 1628410000 | SL 7.50/7/90 3.2SN OR | PCB plug-in connector, Male connectors, Soldered connection, Pitch: 7.50 mm, No. of poles: 7, 90°, Box |
| 1628420000 | SL 7.50/8/90 3.2SN OR | PCB plug-in connector, Male connectors, Soldered connection, Pitch: 7.50 mm, No. of poles: 8, 90°, Box |
| 1628430000 | SL 7.50/9/90 3.2SN OR | PCB plug-in connector, Male connectors, Soldered connection, Pitch: 7.50 mm, No. of poles: 9, 90°, Box |
| 1628440000 | SL 7.50/10/90 3.2SN OR | PCB plug-in connector, Male connectors, Soldered connection, Pitch: 7.50 mm, No. of poles: 10, 90°, Box |
| 1628450000 | SL 7.50/11/90 3.2SN OR | PCB plug-in connector, Male connectors, Soldered connection, Pitch: 7.50 mm, No. of poles: 11, 90°, Box |
| 1628460000 | SL 7.50/12/90 3.2SN OR | PCB plug-in connector, Male connectors, Soldered connection, Pitch: 7.50 mm, No. of poles: 12, 90°, Box |