

Excellent Integrated System Limited

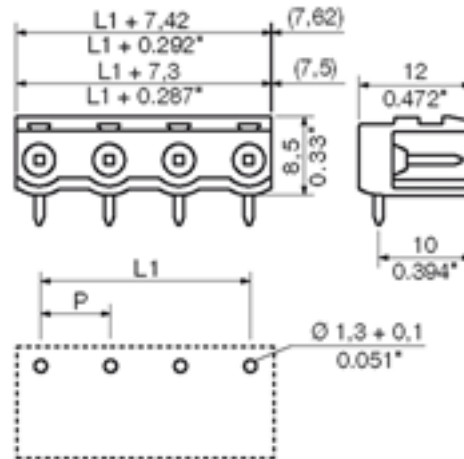
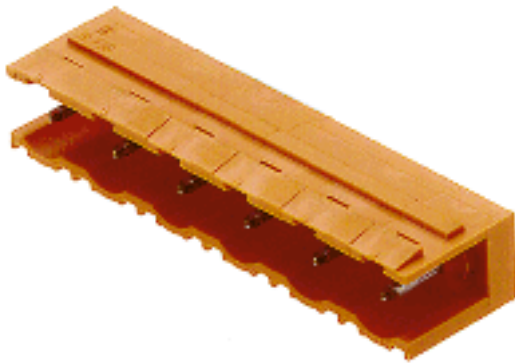
Stocking Distributor

Click to view price, real time Inventory, Delivery & Lifecycle Information:

[Weidmüller](#)
[1628430000](#)

For any questions, you can email us directly:
sales@integrated-circuit.com

Product catalogue | PCB connection systems | PCB plug-in connectors | Pitch 7.50 / 7.62 mm (0.295 / 0.300 inch) | Plug connectors, solder connection, pitch 7.50/7.62 | SL 7.50-7.62/90 | SL 7.50/90



General ordering data

Order No.	1628430000
Part designation	SL 7.50/9/90 3.2SN OR
Version	PCB plug-in connector, Male connectors, Soldered connection, Pitch: 7.50 mm, No. of poles: 9, 90°, Box
EAN	4008190201234
Qty.	50 pc(s).

System parameters

Fitted to PCB	Soldered connection
Outgoing elbow	90°
Pitch	7.5 mm
Pitch in inch	0.295 inch
No. of poles	9
Solder pin length	3.2 mm
Can be coded	Yes
No. of rows	1
No. of solder pins per pole	1
Dia. of fitting hole	1.3 mm
Fitting hole tolerance	+ 0.1 mm
L1 in mm	60 mm
L1 in inch	2.362 inch
Insulation resistance	1 MΩ

Product catalogue | PCB connection systems | PCB plug-in connectors | Pitch 7.50 / 7.62 mm (0.295 / 0.300 inch) | Plug connectors, solder connection, pitch 7.50/7.62 | SL 7.50-7.62/90 | SL 7.50/90

System parameters

Electric shock protection to DIN VDE 0470 Safe from finger touch, plugged

Material data

Insulating material	PBT
Colour	orange
colour chart	Similar to RAL 2000
Insulating material group	IIIa
Flammability class UL 94	V-0
CTI	>= 200
Contact base material	CuSn
Contact surface	tinned
Constant operating temp., min.	-25 °C
Constant operating temp., max.	100 °C
Storage temperature, min.	-25 °C
Storage temperature, max.	55 °C
Max. relative humidity during storage	80 %

DIN IEC rating data

Rated current, min. No. pins (Tu=20°C)	18.5 A
Rated current, max. No. pins (Tu=20°C)	17 A
Rated current, min. No. pins (Tu=40°C)	16 A
Rated current, max. No. pins (Tu=40°C)	14.5 A
Rated voltage for overvoltage class/pollution severity III/3	500 V
Rated impulse withstand voltage for overvoltage class/pollution severity III/3	6 kV
Rated voltage for overvoltage class/pollution severity III/2	630 V
Rated impulse withstand voltage for overvoltage class/pollution severity III/2	6 kV
Rated voltage for overvoltage class/pollution severity II/2	800 V
Rated impulse withstand voltage for overvoltage class/pollution severity II/2	6 kV
Short-time withstand current resistance	3 x 1s with 120 A

CSA rating data

Rated voltage (Use group D)	300 V
Rated current (Use group D)	10 A

UL 1059 rating data

Rated voltage (Use group D)	300 V
Rated current (Use group D)	10 A

Approvals

Approvals institutes



Downloads

CAD Library (P-CAD Format - Standard) SL.LIB

Classifications

ETIM 2.0	NK
ETIM 3.0	EC001284
eClass 4.1	27-26-07-01
eClass 5.0	27-26-07-01
eClass 5.1	27-26-07-04

Similar products

Order No.	Part designation	Version
1628360000	SL 7.50/2/90 3.2SN OR	PCB plug-in connector, Male connectors, Soldered connection, Pitch: 7.50 mm, No. of poles: 2, 90°, Box
1628370000	SL 7.50/3/90 3.2SN OR	PCB plug-in connector, Male connectors, Soldered connection, Pitch: 7.50 mm, No. of poles: 3, 90°, Box
1628380000	SL 7.50/4/90 3.2SN OR	PCB plug-in connector, Male connectors, Soldered connection, Pitch: 7.50 mm, No. of poles: 4, 90°, Box
1628390000	SL 7.50/5/90 3.2SN OR	PCB plug-in connector, Male connectors, Soldered connection, Pitch: 7.50 mm, No. of poles: 5, 90°, Box
1628400000	SL 7.50/6/90 3.2SN OR	PCB plug-in connector, Male connectors, Soldered connection, Pitch: 7.50 mm, No. of poles: 6, 90°, Box
1628410000	SL 7.50/7/90 3.2SN OR	PCB plug-in connector, Male connectors, Soldered connection, Pitch: 7.50 mm, No. of poles: 7, 90°, Box
1628420000	SL 7.50/8/90 3.2SN OR	PCB plug-in connector, Male connectors, Soldered connection, Pitch: 7.50 mm, No. of poles: 8, 90°, Box
1628440000	SL 7.50/10/90 3.2SN OR	PCB plug-in connector, Male connectors, Soldered connection, Pitch: 7.50 mm, No. of poles: 10, 90°, Box
1628450000	SL 7.50/11/90 3.2SN OR	PCB plug-in connector, Male connectors, Soldered connection, Pitch: 7.50 mm, No. of poles: 11, 90°, Box
1628460000	SL 7.50/12/90 3.2SN OR	PCB plug-in connector, Male connectors, Soldered connection, Pitch: 7.50 mm, No. of poles: 12, 90°, Box