

Excellent Integrated System Limited

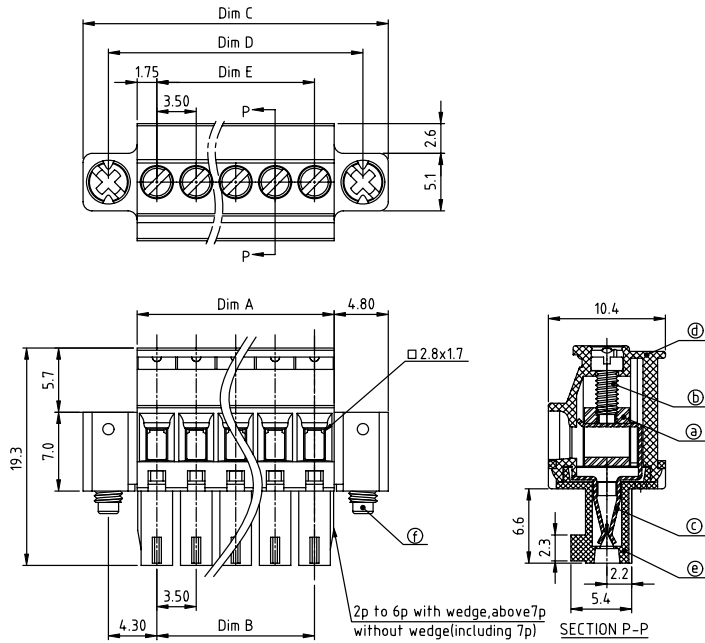
Stocking Distributor

Click to view price, real time Inventory, Delivery & Lifecycle Information:

[FCI](#)
[TS02115C00J0G](#)

For any questions, you can email us directly:
sales@integrated-circuit.com

PRODUCT NUMBER	PITCH
TSxx11xC00J0G	3.50 mm



Material

- Item ① Clamp: Brass (CuZn), Ni plated
- Item ② Terminal screw: Steel Zinc plating "-" slot type
- Item ③ Female contact: PhBz, Tin plated
- Item ④ Top body: Thermoplastic (UL94V-0)
- Item ⑤ Bottom body: Thermoplastic (UL94V-0)
- Item ⑥ With flange screw: Steel M2.5 Zinc plating "+/-" combination type

Electrical cULus VDE

- Voltage rating: 300VAC / 300VAC
- Current rating: 8A / 10A
- Wire range:
 - Solid wire (AWG): 16-28
 - Stranded wire (AWG): 16-28
- Torque: 1.7Lb-In / 0.2N.m
- Screw: M2
- Wire strip length: 6-7mm
- Withstanding Voltage: 1.6KV / 2.5KV
- Operating temperature: -40°C to +115°C
- Safety approval:

PART NO.: TS xx 11 x C 00J 0 G

DIMENSION

Dim A	NX3.5
Dim B	(N-1)X3.5
Dim C	NX3.5+9.6
Dim D	(N-1)X3.5+8.6
Dim E	(N-1)X3.5

N=Number of poles

Poles	Tolerance
2p-6p	±0.15
7p-12p	±0.20
13p-16p	±0.25
17p-24p	±0.30

Solid block	No. of poles	Color	RoHS compliant (lead<4%) In copper Alloy
0	2	Black (RAL9005)	
2	3	Red (RAL3001/D)	
02	4	Orange (RAL2011/P)	
03	5	Yellow (RAL1018/A)	
...	6	Green (RAL6018/T)	
...	8	Blue (RAL5015/A)	
24	9	Grey (RAL7035/D)	
	9	White (RAL1102)	
	C	Green (RAL6018/U)	

mat'l. code	surface ASME Y14.5 ✓	tolerance ASME Y14.5	projection	product family
ltr	ecn	no	dr	date
tolerances unless otherwise specified				TERMINAL BLOCK
angles	X.±0.5			title
X'±1'	X.X±0.3			TERMINAL BLOCK
	X.XX±0.1			PLUGGABLE PLUG/HOOK ON ENTRY SIDE, WITH FLANGE
dr	EVIN ZHONG	041814	scale	sheet 1 of 1
enrg	EVIN ZHONG	041814	FCI	size
chr	HANKE FENG	041814		A4
appd	SHI JUN	041814		type
sheet index	revision sheet	A 1		CUSTOMER Drawing