

Excellent Integrated System Limited

Stocking Distributor

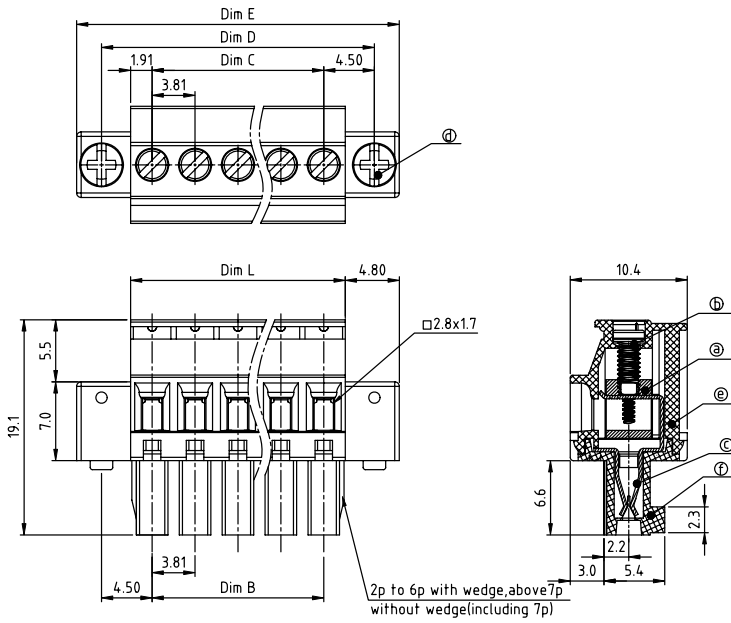
Click to view price, real time Inventory, Delivery & Lifecycle Information:

[FCI](#)
[TS02315D00J0G](#)

For any questions, you can email us directly:

sales@integrated-circuit.com

PRODUCT NUMBER	PITCH
TSxx31xD00J0G	3.81mm



Material

- Item ① Clamp: Brass(CuZn) Ni plated
- Item ② Terminal screw: Steel Zinc plating "-" slot type
- Item ③ Female contact: PhBz Tin plated
- Item ④ With flange screw: Steel Zinc plating M2.5 "+/-" combination type
- Item ⑤ Top body: Thermoplastic (UL94V-0)
- Item ⑥ Bottom body: Thermoplastic (UL94V-0)

Electrical

- Voltage rating: 300VAC/300VAC
- Current rating: 8A/10A
- Wire range: 1.5mm²
- Solid wire(AWG): 16-28
- Stranded wire(AWG): 16-28
- Torque: 1.7Lb-In./0.2Nm
- Screw: M2
- Wire strip length: 6-7mm
- Withstanding Voltage: 1.6KV/2.5KV
- Operating temperature: -40°C to +115°C
- Safety approval: cULus/VDE

DIMENSION

N = Number of poles

Dim L	NX3.81
Dim B	(N-1)X3.81
Dim C	(N-1)X3.81
Dim D	(N-1)X3.81+9.0
Dim E	(N-1)X3.81+13.4

Poles	Tolerance
2p-6p	±0.15
7p-12p	±0.20
13p-16p	±0.25
17p-24p	±0.30

PART NO.: TS xx 31 x D 00J 0 G

Solid block	0	Color	Black (RAL9005)	RoHS compliant (lead-4%) In copper Alloy
No. of poles	2		Red (RAL3001/D)	
02	2 poles		Orange(RAL2011/P)	
03	3 poles		Yellow(RAL1018/A)	
...	...		Green(RAL6018/T)	
24	24 poles		Blue (RAL5015/A)	
			Grey(RAL7035/D)	
			White(RAL1102)	
			Green(RAL6018/U)	

mat'l. code	surface ASME Y14.5	tolerance ASME Y14.5	projection	product family TERMINAL BLOCK
ltr	ecn	no	dr	date
tolerances unless otherwise specified				title TERMINAL BLOCK
angles	X.±0.5		MM	PLUGGABLE PLUG,HOOK ON BACK SIDE,WITH FLANGE
X'±1'	X.X±0.3		scale	dwg no TSxx31xD00J0G
dr	EVIN ZHONG	041914	FCI	sheet 1 of 1
enfr	EVIN ZHONG	041914		size A4
chr	HANKE FENG	041914		type CUSTOMER Drawing
appd	SHI JUN	041914		
sheet index	revision sheet	A 1		