

Excellent Integrated System Limited

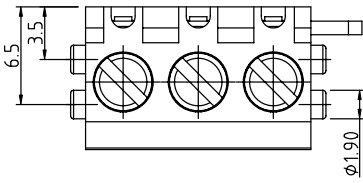
Stocking Distributor

Click to view price, real time Inventory, Delivery & Lifecycle Information:

[FCI](#)
[V303018100J0G](#)

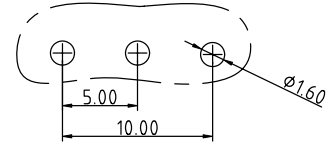
For any questions, you can email us directly:
sales@integrated-circuit.com

PRODUCT NUMBER	PITCH
V30301x100J0G	5.00 mm



PART NO.: V3 03 0 1 x 1 00J0 G

- | | | |
|---|---------------------|--|
| Solid Block
No. of poles
03 3 poles | Color | RoHS compliant
(lead<4%)
In copper Alloy |
| | 0 Black (RAL9005) | |
| | 2 Red (RAL3001/D) | |
| | 3 Orange(RAL2011/P) | |
| | 4 Yellow(RAL1018/A) | |
| | 5 Green(RAL6018/T) | |
| | 6 Blue (RAL5015/A) | |
| | 8 Grey(RAL7035/D) | |
| | 9 White(RAL1102) | |
| | C Green(RAL6018/U) | |



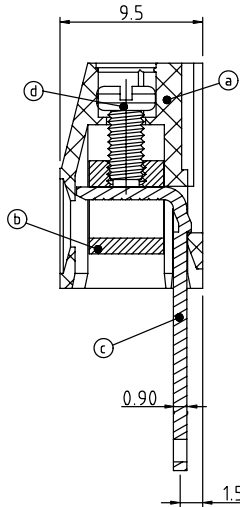
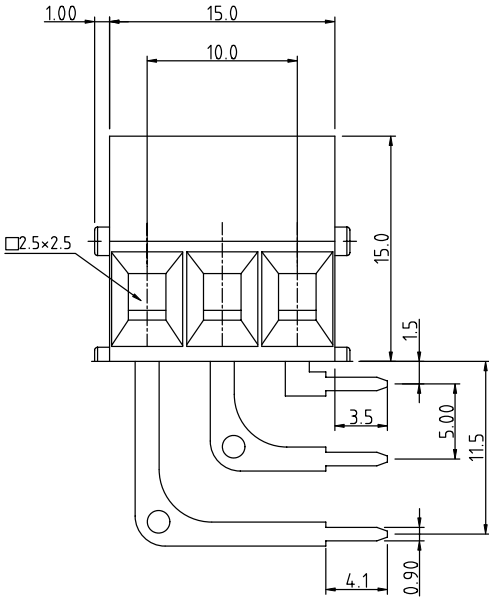
RECOMMENDED P.C.B LAYOUT
TOP VIEW

Material:

- Item①Terminal housing: Thermoplastic (UL 94V-0)
- Item②Clamp : Brass ,Ni plated
- Item③Solder pin : Brass , Tin plated
- Item④Terminal screw: Steel Zinc plating"- "slot type

Electrical cULus

- Voltage rating: 300VAC
- Current rating: 10A
- Wire range:
- Solid wire(AWG): 12-22
- Stranded wire(AWG): 12-22
- Torque(Lb-In): 3.5
- Screw: M2.5
- Wire strip length: 6-7mm
- Withstanding Voltage: 1.6KV
- Operating temperature: -40°C to +115°C
- Soldering temperature: 260°C±5°C/5 Sec



mat'l. code	surface ASME Y14.5	tolerance ASME Y14.5	projection	product family
ltr ecn no dr date	tolerances unless otherwise specified	angles	MM	TERMINAL BLOCK
	X.±0.5	X°±1°	scale	TERMINAL BLOCK
	X.X±0.3			RISING CLAMP,180D WIRE INLET,RIGHT TYPE
	X.XX±0.1			sheet no
dr EVIN ZHONG 040814				sheet 1 of 1
enrg EVIN ZHONG 040814				size
chr HANKE FENG 040814				A4
appd SHI JUN 040814				type
				CUSTOMER Drawing
sheet index	revision sheet	A 1		

form: A4mmXLc

1 |

2 |

PDS: Rev :A 3 |

STATUS:Released

Printed: May 28, 2014