

## Excellent Integrated System Limited

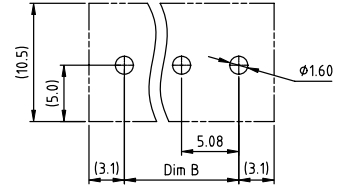
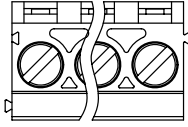
Stocking Distributor

Click to view price, real time Inventory, Delivery & Lifecycle Information:

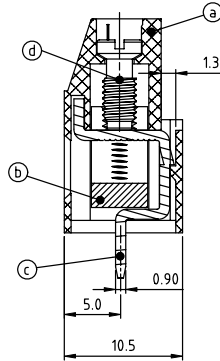
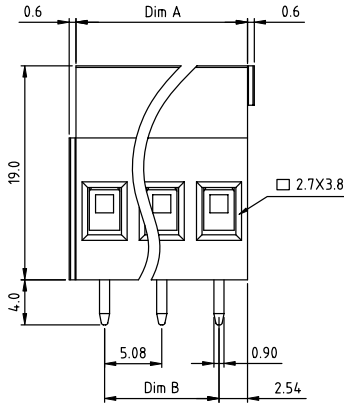
[FCI](#)  
[VJ04215200J0G](#)

For any questions, you can email us directly:  
[sales@integrated-circuit.com](mailto:sales@integrated-circuit.com)

PRODUCT NUMBER	PITCH
VJxx21x200J0G	5.08mm



RECOMMENDED P.C.B LAYOUT  
TOP VIEW



- Material:
- Item① Terminal housing:Thermoplastic (UL 94V-0)
  - Item② Clamp: Brass Ni plated
  - Item③ Solder pin:Brass Tin plated
  - Item④ Terminal screw: Steel Zinc plating"-slot type

- Electrical cULus / VDE
- Voltage rating : 300VAC / 450V
  - Current rating : 20A / 24A
  - Wire range : 0.2-2.5mm<sup>2</sup>
  - Solid wire(AWG) : 12-30
  - Stranded wire(AWG) : 12-30
  - Torque : 3.5Lb-in / 0.5 N.m
  - Screw: M3
  - Wire strip length: 6-7mm
  - Withstanding Voltage: 1.6KV / 2.5KV
  - Operating temperature: -40°C to +115°C
  - Soldering temperature: 260°C±5°C/5 Sec
  - Safety Approval:

Dimension A&B

DIM A	Nx5.08
DIM B	(N-1)x5.08

N=Number of poles

Poles	DimA&B Tolerance
2P-6P	±0.15
7P-12P	±0.25
13P-18P	±0.35
19P-24P	±0.40

PART NO.: VJ xx 2 1 x 2 00J0 G

End stackable	0	Color	Black (RAL9005)	RoHS compliant	(lead<4%)
No. of poles	2		Red (RAL3001/D)	In copper Alloy	
	3		Orange(RAL2011/P)		
	4		Yellow(RAL1018/A)		
	5		Green(RAL6018/T)		
	6		Blue (RAL5015/A)		
	8		Grey(RAL7035/D)		
	9		White(RAL1102)		
	C		Green(RAL6018/U)		

mat'l. code	surface ASME Y14.5	tolerance ASME Y14.5	projection 	product family TERMINAL BLOCK
ltr	ecn	no	dr	date
tolerances unless otherwise specified				title TERMINAL BLOCK
angles	X.±0.5		RISING CLAMP,180D WIRE INLET,END STACKABLE	
X'±1'	X.X±0.3		dwg no	
	X.XX±0.1		sheet 1 of 1	
dr	EVIN ZHONG	040914	size A4	
enfr	EVIN ZHONG	040914	VJxx21x200J0G	
chr	HANKE FENG	040914	type CUSTOMER Drawing	
appd	SHI JUN	040914		
sheet index	revision sheet	A	1	