

Excellent Integrated System Limited

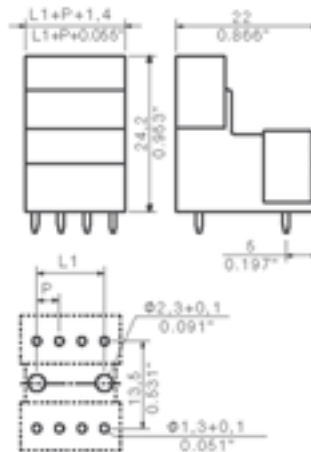
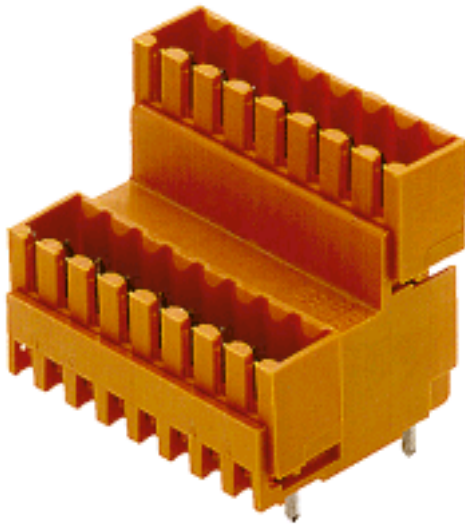
Stocking Distributor

Click to view price, real time Inventory, Delivery & Lifecycle Information:

[Weidmüller](#)
[1641120000](#)

For any questions, you can email us directly:
sales@integrated-circuit.com

Product catalogue | PCB connection systems | PCB plug-in connectors | Pitch 3.50 mm (0.138 inch) | Plug connectors, solder connection, pitch 3.5 | SLDV 3.5 | SLD 3.5V/180G



General ordering data

Order No.	1641120000
Part designation	SLD 3.5 V/8/180G 3.2OR
Version	PCB plug-in connector, Male connectors, Soldered connection, Pitch: 3.50 mm, No. of poles: 8, 180°, Box
EAN	4008190279523
Qty.	50 pc(s).

System parameters

Fitted to PCB	Soldered connection
Outgoing elbow	180°
Pitch	3.5 mm
Pitch in inch	0.138 inch
No. of poles	8
Solder pin length	3.2 mm
Can be coded	Yes
No. of rows	2
No. of solder pins per pole	1
Dia. of fitting hole	1.3 mm
Fitting hole tolerance	+ 0.1 mm
L1 in mm	10.5 mm
L1 in inch	0.413 inch
Insulation resistance	1 MΩ

Product catalogue | PCB connection systems | PCB plug-in connectors | Pitch 3.50 mm (0.138 inch) | Plug connectors, solder connection, pitch 3.5 | SLDV 3.5 | SLD 3.5V/180G

System parameters

Electric shock protection to DIN VDE 0470	IP 10
Electric shock protection to DIN VDE 0470	Safe from back-of-hand touch

Material data

Insulating material	PBT
Colour	orange
colour chart	Similar to RAL 2000
Insulating material group	IIIa
Flammability class UL 94	V-0
CTI	>= 200
Contact base material	CuSn
Contact surface	tinned
Constant operating temp., min.	-25 °C
Constant operating temp., max.	100
Storage temperature, min.	-25 °C
Storage temperature, max.	55 °C
Max. relative humidity during storage	80 %

DIN IEC rating data

Rated current, min. No. pins (Tu=20°C)	10.5 A
Rated current, max. No. pins (Tu=20°C)	8 A
Rated current, min. No. pins (Tu=40°C)	9 A
Rated current, max. No. pins (Tu=40°C)	7 A
Rated voltage for overvoltage class/pollution severity III/3	125 V
Rated impulse withstand voltage for overvoltage class/pollution severity III/3	2.5 kV
Rated voltage for overvoltage class/pollution severity III/2	160 V
Rated impulse withstand voltage for overvoltage class/pollution severity III/2	2.5 kV
Rated voltage for overvoltage class/pollution severity II/2	200 V
Rated impulse withstand voltage for overvoltage class/pollution severity II/2	2.5 kV
Short-time withstand current resistance	3 x 1s with 80 A

CSA rating data

Rated voltage (Use group D)	300 V
Rated current (Use group D)	8 A

UL 1059 rating data

Rated voltage (Use group D)	300 V
Rated current (Use group D)	8 A

Approvals

Approvals institutes



Downloads

CAD Library (P-CAD Format - Standard) SLD.LIB

Classifications

ETIM 2.0	NK
ETIM 3.0	EC001284
eClass 4.1	27-26-07-01
eClass 5.0	27-26-07-01
eClass 5.1	27-26-07-04

Similar products

Order No.	Part designation	Version
1641110000	SLD 3.5 V/4/180G 3.2OR	PCB plug-in connector, Male connectors, Soldered connection, Pitch: 3.50 mm, No. of poles: 4, 180°, Box
1641130000	SLD 3.5 V/12/180G 3.2OR	PCB plug-in connector, Male connectors, Soldered connection, Pitch: 3.50 mm, No. of poles: 12, 180°, Box
1641140000	SLD 3.5 V/16/180G 3.2OR	PCB plug-in connector, Male connectors, Soldered connection, Pitch: 3.50 mm, No. of poles: 16, 180°, Box
1641150000	SLD 3.5 V/20/180G 3.2OR	PCB plug-in connector, Male connectors, Soldered connection, Pitch: 3.50 mm, No. of poles: 20, 180°, Box
1641160000	SLD 3.5 V/24/180G 3.2OR	PCB plug-in connector, Male connectors, Soldered connection, Pitch: 3.50 mm, No. of poles: 24, 180°, Box
1641170000	SLD 3.5 V/28/180G 3.2OR	PCB plug-in connector, Male connectors, Soldered connection, Pitch: 3.50 mm, No. of poles: 28, 180°, Box
1641180000	SLD 3.5 V/32/180G 3.2OR	PCB plug-in connector, Male connectors, Soldered connection, Pitch: 3.50 mm, No. of poles: 32, 180°, Box
1641190000	SLD 3.5 V/36/180G 3.2OR	PCB plug-in connector, Male connectors, Soldered connection, Pitch: 3.50 mm, No. of poles: 36, 180°, Box
1641200000	SLD 3.5 V/40/180G 3.2OR	PCB plug-in connector, Male connectors, Soldered connection, Pitch: 3.50 mm, No. of poles: 40, 180°, Box
1641210000	SLD 3.5 V/44/180G 3.2OR	PCB plug-in connector, Male connectors, Soldered connection, Pitch: 3.50 mm, No. of poles: 44, 180°, Box

Product catalogue | PCB connection systems | PCB plug-in connectors | Pitch 3.50 mm (0.138 inch) | Plug connectors, solder connection, pitch 3.5 | SLDV 3.5 | SLD 3.5V/180G

1641220000 SLD 3.5 V/48/180G 3.2OR

PCB plug-in connector, Male connectors, Soldered connection, Pitch: 3.50 mm, No. of poles: 48, 180°, Box