



Distributor of FCI: Excellent Integrated System Limited

Datasheet of YK22202030J0G - Connector Barrier Block Strip 2 Circuit 0.250" (6.35mm)

Contact us: sales@integrated-circuit.com Website: www.integrated-circuit.com

Excellent Integrated System Limited

Stocking Distributor

Click to view price, real time Inventory, Delivery & Lifecycle Information:

[FCI](#)

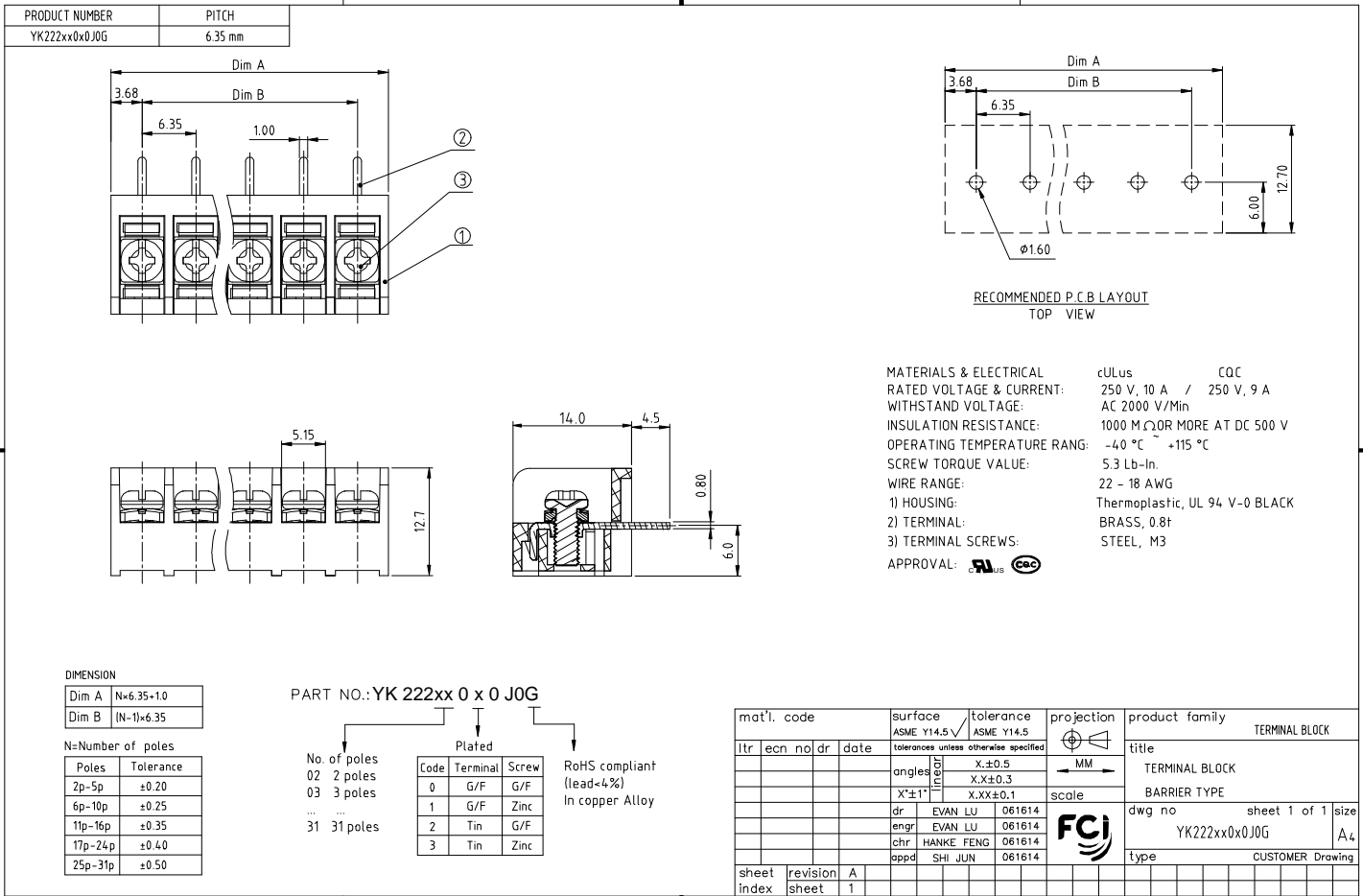
[YK22202030J0G](#)

For any questions, you can email us directly:

sales@integrated-circuit.com

Copyright FCI

FCIconnect.com



form: A4mmXLC

PDS: Rev :A

STATUS:Released

Printed: Jul 16, 2014