



Distributor of FCI: Excellent Integrated System Limited

Datasheet of YK31602030J0G - Connector Barrier Block Strip 2 Circuit 0.300" (7.62mm)

Contact us: sales@integrated-circuit.com Website: www.integrated-circuit.com

Excellent Integrated System Limited

Stocking Distributor

Click to view price, real time Inventory, Delivery & Lifecycle Information:

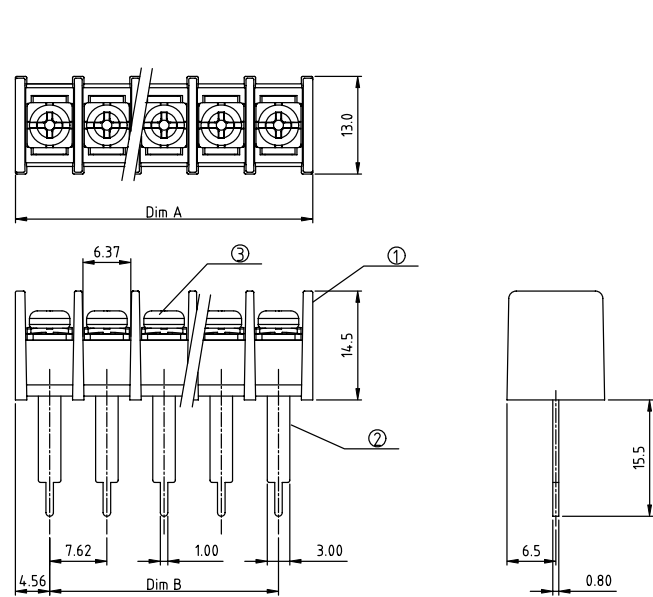
[FCI](#)

[YK31602030J0G](#)

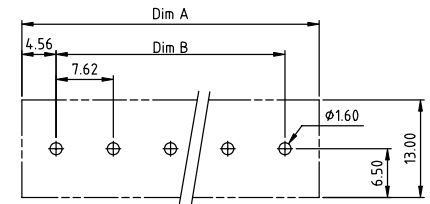
For any questions, you can email us directly:

sales@integrated-circuit.com

PRODUCT NUMBER	PITCH
YK316xx0x0JOG	7.62 mm

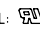


RECOMMENDED P.C.B LAYOUT
TOP VIEW



MATERIALS & ELECTRICAL

RATED VOLTAGE & CURRENT:	250 V, 15 A
WITHSTAND VOLTAGE:	AC 2000 V/Min
INSULATION RESISTANCE:	1000 MΩ OR MORE AT DC 500 V
OPERATING TEMPERATURE RANG:	-40 °C ~ +115 °C
SCREW TORQUE VALUE:	5.3 Lb-In.
WIRE RANGE:	22 - 16 AWG
1) HOUSING:	THERMOPLASTIC, UL 94 V-0 BLACK
2) TERMINAL:	BRASS, 0.8t
3) TERMINAL SCREWS:	STEEL, M3

APPROVAL: 

DIMENSION

Dim A	(N-1)×7.62+9.12
Dim B	(N-1)×7.62


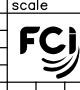
N=Number of poles

Poles	Tolerance
2p-5p	±0.20
6p-10p	±0.25
11p-16p	±0.35
17p-24p	±0.40
25p-30p	±0.50

PART NO.: YK 316xx 0 x 0 JOG

No. of poles	Code	Terminal	Screw
02 2 poles	0	G/F	G/F
03 3 poles	1	G/F	Zinc
...	2	Tin	G/F
30 30 poles	3	Tin	Zinc

RoHS compliant (lead<4%)
In copper Alloy

mat'l. code	surface ASME Y14.5	tolerance ASME Y14.5	projection 	product family TERMINAL BLOCK
ltr	ecn	no	dr	date
tolerances unless otherwise specified			MM	title TERMINAL BLOCK
angles	X.±0.5		scale	BARRIER TYPE
X'±1'	X.X±0.3			
dr	EVAN LU	061214		dwg no
enfr	EVAN LU	061214		YK316xx0x0JOG
chr	HANKE FENG	061214		sheet 1 of 1
appd	SHI JUN	061214		A4
sheet index	revision sheet	A 1	type	CUSTOMER Drawing