



**Distributor of FCI: Excellent Integrated System Limited**

Datasheet of YK41202030J0G - Connector Barrier Block Strip 2 Circuit 0.325" (8.26mm)

Contact us: [sales@integrated-circuit.com](mailto:sales@integrated-circuit.com) Website: [www.integrated-circuit.com](http://www.integrated-circuit.com)

---

## **Excellent Integrated System Limited**

Stocking Distributor

Click to view price, real time Inventory, Delivery & Lifecycle Information:

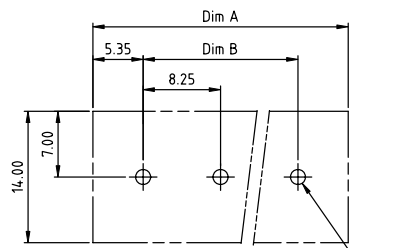
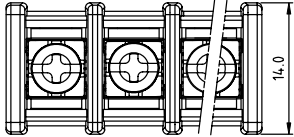
[FCI](#)

[YK41202030J0G](#)

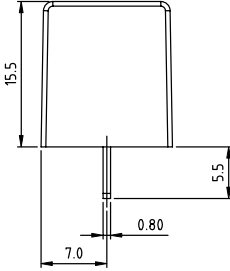
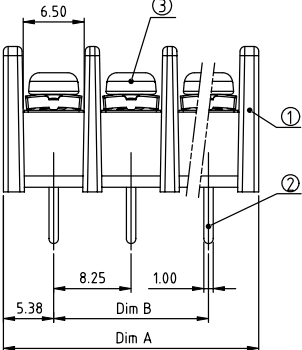
For any questions, you can email us directly:

[sales@integrated-circuit.com](mailto:sales@integrated-circuit.com)

PRODUCT NUMBER	PITCH
YK412xx0x0JOG	8.25 mm



RECOMMENDED P.C.B LAYOUT  
TOP VIEW



**MATERIALS & ELECTRICAL**  
 RATED VOLTAGE & CURRENT: 300 V, 20 A  
 WITHSTAND VOLTAGE: AC 2000 V/Min  
 INSULATION RESISTANCE: 1000 MΩ OR MORE AT DC 500 V  
 OPERATING TEMPERATURE RANG: -40 °C ~ +115 °C  
 SCREW TORQUE VALUE: 8.8 Lb-In.  
 WIRE RANGE: 22 - 12 AWG  
 1) HOUSING: THERMOPLASTIC, UL 94 V-0 BLACK  
 2) TERMINAL: BRASS, 0.8t  
 3) TERMINAL SCREWS: STEEL, M3  
 APPROVAL: US

**DIMENSION**

Dim A	N×8.25±2.5
Dim B	(N-1)×8.25

PART NO.: YK 412xx 0 x 0 JOG

**N=Number of poles**

Poles	Tolerance
2p-5p	±0.25
6p-10p	±0.35
11p-18p	±0.40
19p-30p	±0.50

**Plated**

Code	Terminal	Screw
0	G/F	G/F
1	G/F	Zinc
2	Tin	G/F
3	Tin	Zinc

RoHS compliant (lead<4%)  
In copper Alloy

mat'l. code	surface ASME Y14.5	tolerance ASME Y14.5	projection 	product family TERMINAL BLOCK
ltr	ecn no	dr	date	tolerances unless otherwise specified
				angles X±0.5
				X.X±0.3
				X.XX±0.1
	dr	EVAN LU	061314	scale
	enr	EVAN LU	061314	
	chr	HANKE FENG	061314	dwg no
	appd	SHI JUN	061314	sheet 1 of 1
sheet index	revision sheet	A	1	size A4
				type CUSTOMER Drawing