



Distributor of FCI: Excellent Integrated System Limited

Datasheet of YK70A02230J0G - Connector Barrier Block Strip 2 Circuit 0.433" (11.00mm)

Contact us: sales@integrated-circuit.com Website: www.integrated-circuit.com

Excellent Integrated System Limited

Stocking Distributor

Click to view price, real time Inventory, Delivery & Lifecycle Information:

[FCI](#)

[YK70A02230J0G](#)

For any questions, you can email us directly:

sales@integrated-circuit.com

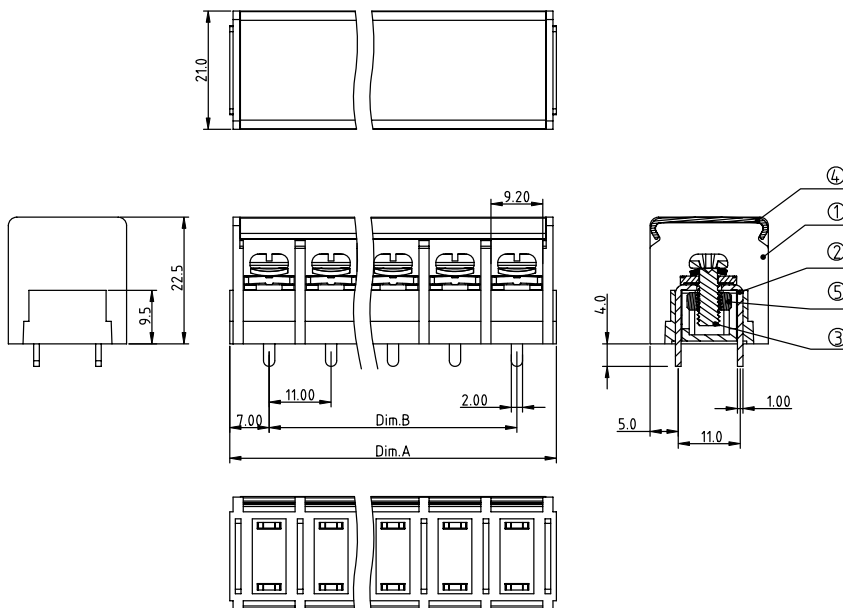
PRODUCT NUMBER	PITCH
YK70Axx2x0J0G	11.00mm

1
2
3
4

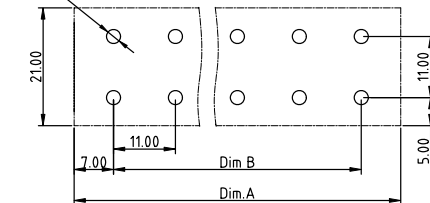
FCIconnect.com

A
B

B
A




RECOMMENDED P.C.B LAYOUT TOP VIEW



MATERIALS & ELECTRICAL

RATED VOLTAGE & CURRENT:	300 V, 40A(B Code)/ 600V, 5A(D Code)
WITHSTAND VOLTAGE:	AC 2500 V/Min
INSULATION RESISTANCE:	1000 MΩ OR MORE AT DC 1000 V
OPERATING TEMPERATURE RANG:	-40 °C ~ +115°C
SCREW TORQUE VALUE:	16Lb-In.
WIRE RANGE:	18 - 8AWG
1) HOUSING:	THERMOPLASTICS, UL94-V0 BLACK
2) TERMINAL:	BRASS, 1.0t
3) TERMINAL SCREWS:	STEEL, M4.0
4) COVER:	PC
5) TERMINAL NUT:	STEEL M4.0

APPROVAL: 

DIMENSION

Dim A	Nx11.00±3.0
Dim B	(N-1)x11.0

N=Number of poles

Poles	Tolerance
2p-8p	±0.40
9p-16p	±0.50

PART NO.: YK 70Axx 2 x 0 JOG

Plated

Code	Terminal	Screw	Nut
0	G/F	G/F	G/F
1	G/F	Zinc	Nickel
2	Tin	G/F	G/F
3	Tin	Zinc	Nickel

No. of poles
 02 2 poles
 03 3 poles

 16 16 poles

RoHS compliant (lead<4%)
 In copper Alloy

mat'l. code	surface	tolerance	projection	product family
	ASME Y14.5	ASME Y14.5		TERMINAL BLOCK
ltr	ecn	no	dr	date
				tolerances unless otherwise specified
				angles
				X.±0.5
				X.X±0.3
				X'±1'
				X.XX±0.1
				scale
				MM
				FCI
				dwg no
				sheet 1 of 1
				size
				A4
				type
				CUSTOMER Drawing
sheet index	revision sheet	A	1	