

## Excellent Integrated System Limited

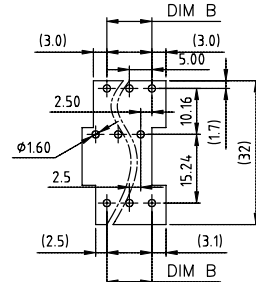
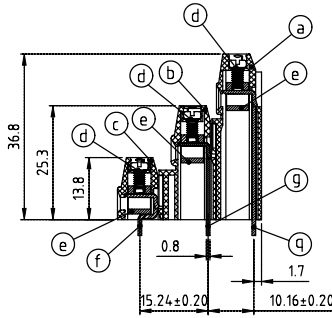
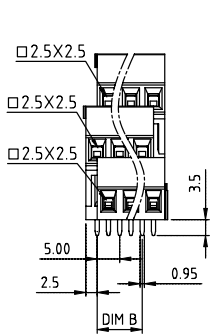
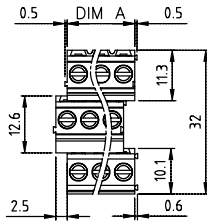
Stocking Distributor

Click to view price, real time Inventory, Delivery & Lifecycle Information:

[FCI](#)  
[YN06015000JOG](#)

For any questions, you can email us directly:  
[sales@integrated-circuit.com](mailto:sales@integrated-circuit.com)

|                |         |
|----------------|---------|
| PRODUCT NUMBER | PITCH   |
| YNxx01x000JOG  | 5.00 mm |



RECOMMENDED P.C.B LAYOUT  
TOP VIEW

Material:

- Item① Terminal housing : Thermoplastic (UL 94V-0)(YF5.0)
- Item② Terminal housing : Thermoplastic (UL 94V-0)(YE5.0)
- Item③ Terminal housing : Thermoplastic (UL 94V-0)(YD5.0)
- Item④ Terminal screw: Steel Zinc plating"-slot type
- Item⑤ Clamp : Brass ,Ni plated
- Item⑥ Solder pin1 : Brass ,Tin plated
- Item⑦ Solder pin2 : Brass ,Tin plated
- Item⑧ Solder pin3 : Brass ,Tin plated

Electrical cULus

- Voltage rating: 300VAC
- Current rating: 10A
- Wire range:
- Solid wire(AWG): 12-24
- Stranded wire(AWG): 12-24
- Torque(Lb-In): 3.5
- Screw: M2.5
- Wire strip length: 6-7mm
- Withstanding Voltage: 1.6KV
- Operating temperature: -40°C to +115°C
- Soldering temperature: 260°C±10°C/5 Sec
- Safety Approval: cULus

Dimension A&B

|       |             |
|-------|-------------|
| DIM A | N/3×5.0     |
| DIM B | (N/3-1)×5.0 |

| Poles       | DimA&B Tolerance |
|-------------|------------------|
| 3×2P-3×8P   | ±0.15            |
| 3×9P-3×14P  | ±0.25            |
| 3×15P-3×20P | ±0.35            |
| 3×21P-3×24P | ±0.40            |

PART NO.: YN xx 01 x 0 00JOG

|               |                     |   |
|---------------|---------------------|---|
| End stackable | 0 Black (RAL9005)   | RoHS compliant (lead-4%)<br>In copper Alloy |
| No. of poles  | 2 Red (RAL3001/D)   |   |
| 06 3×2poles   | 3 Orange(RAL2011/P) |   |
| 09 3×3poles   | 4 Yellow(RAL1018/A) |   |
| ...           | 5 Green(RAL6018/T)  |   |
| 72 3×24poles  | 6 Blue (RAL5015/A)  |   |
|               | 8 Grey(RAL7035/D)   |   |
|               | 9 White(RAL1102)    |   |
|               | C Green(RAL6018/U)  |   |

|                        |                                       |                      |            |  |
|------------------------|---------------------------------------|----------------------|------------|--|
| mat'l. code            | surface ASME Y14.5                    | tolerance ASME Y14.5 | projection | product family                           |
| ltr ecn no dr date     | tolerances unless otherwise specified | X.±0.5               | MM         | TERMINAL BLOCK                           |
| angles                 | X.X±0.3                               | X.X±0.1              | scale      | title                                    |
| X'±1'                  |                                       |                      |            | TERMINAL BLOCK                           |
| dr EVIN ZHONG 041114   |                                       |                      |            | RISE CLAMP;100D WIRE INLET,END STACKABLE |
| enrg EVIN ZHONG 041114 |                                       |                      |            | dwg no sheet 1 of 1 size                 |
| chr HANKE FENG 041114  |                                       |                      |            | YNxx01x000JOG A4                         |
| appd SHI JUN 041114    |                                       |                      |            | type CUSTOMER Drawing                    |
| sheet index            | revision sheet                        | A 1                  |            |  |