

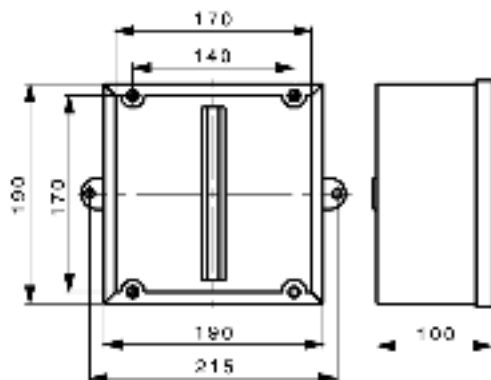
Excellent Integrated System Limited

Stocking Distributor

Click to view price, real time Inventory, Delivery & Lifecycle Information:

[Weidmüller](#)
[9513890000](#)

For any questions, you can email us directly:
sales@integrated-circuit.com


General ordering data

Order No.	9513890000
Part designation	STB 3 S-ST1.4404
Version	Ex enclosure, 100 mm, 190 mm, 190 mm, Stainless steel 1.4404
EAN	4008190498443
Qty.	1 pc(s).

Dimensions

Fixing dimension, width	215 mm
Height	100 mm
Length	190 mm
Width	190 mm

General details

Cover fixing	4 x M6 captive (hexagon)
Enclosure fixing	8 mm holes through outside mounting
Integral fixing	TAS 20 rail welded to floor
Resistance to shocks	7 J
Sealing material	Chloroprene (cover & flange)
Version cover	closed
Colour	shiny, electropolished
Surface finish	polished, chemically immersed
Class of protection to EN 60529	IP 66
Weight	3,000 g
Ambient temperature, min.	-20 °C
Ambient temperature, max.	85 °C

Screwed cable glands top/bottom

M 12	21
M 16	12
M 20	10
M 25	4
M 32	3
M 40	2

Screwed cable glands top/bottom

Side of enclosure Top / Bottom

Screwed cable glands, left/right

M12	21
M16	19
M20	8
M25	7
M32	3
M40	2
On housing side	left / right

Approvals

Approvals institutes



Classifications

ETIM 2.0	EC000049
ETIM 3.0	EC000049
eClass 4.1	27-14-12-06
eClass 5.0	27-18-05-02
eClass 5.1	27-18-05-02

Similar products

Order No.	Part designation	Version
3873300000	STB 1 S-ST1.4404	Ex enclosure, 80 mm, 120 mm, 120 mm, Stainless steel 1.4404
9524780000	STB 1.1 S/S	Ex enclosure, 80 mm, 150 mm, 120 mm, Stainless steel 1.4404
3873700000	STB 2 S-ST1.4404	Ex enclosure, 90 mm, 150 mm, 150 mm, Stainless steel 1.4404
9513920000	STB 4 S-ST1.4404	Ex enclosure, 120 mm, 250 mm, 250 mm, Stainless steel 1.4404
9505300000	STB 5 S-ST1.4404	Ex enclosure, 120 mm, 160 mm, 380 mm, Stainless steel 1.4404
9505310000	STB 6 S-ST1.4404	Ex enclosure, 130 mm, 250 mm, 400 mm, Stainless steel 1.4404