

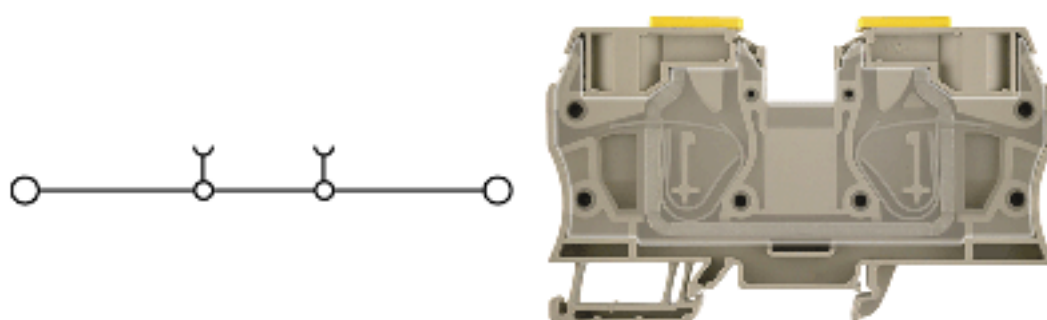
Excellent Integrated System Limited

Stocking Distributor

Click to view price, real time Inventory, Delivery & Lifecycle Information:

[Weidmüller](#)
[1739620000](#)

For any questions, you can email us directly:
sales@integrated-circuit.com


General ordering data

Order No.	1739620000
Part designation	ZDU 35
Version	Feed-through terminal, 35 mm ² , Tension clamp connection, Wemid, dark beige, TS 35
EAN	4008190957070
Qty.	10 pc(s).

Product notes

Note, ordering data	End plate is integrated.
Note, technical data	Cross-connection of ZDU 10 and ZDU 35 is possible using the ZQV 35-10. Cross-connection of ZDU 16 and ZDU 35 is possible using the ZQV 35-16.
Product description	Z-series standard ranges provide solutions for conductor cross-sections from 0.05 to 35 mm ² .

PT OKIECEEx/ATEX rating data

EU-type examination certificate	KEMA00ATEX2107U
Download, German	KEMA00ATEX2107U_d.pdf
Download English	KEMA00ATEX2107U_e.pdf
IECEX Certificate of Conformity	IECEXULD05.0009U
ATEX voltage	690 V
ATEX current	109 A
ATEX conductor cross-section	35 mm ²
IECEX voltage	550 V
IECEX current	109 A
IECEX conductor cross-section	35 mm ²
Voltage when using cross-connections	CrossConnectionGuide.pdf
Operating temperature range	Einsatztemperaturbereich siehe EG-Baumusterprüfbescheinigung/IECEX-Certificate of Conformity
Marking EN 60079-7	Ex e II
Marking ATEX Directive 94/9/EC	Ex II 2 G D

Additional technical data

Colour of insulating material	dark beige
Connection direction	top
End plate required	No
Explosion-tested version "Ex e"	Yes
Installation advice	TS 35
Insulating material	Wemid
Levels cross-connected internally	No
No. of identical terminals	1
No. of levels	1
No. of terminal strips per level	2
Open sides	closed
Operating temperature range	- 50 °C, + 120 °C
Product family	Z-series
Type of connection	Clamped
Type of mounting	Snap-on
UL 94 flammability rating of insulation material	V-0
Version	Feed-through terminal

CSA rating data

Voltage (CSA)	600 V
CSA current	120 A
Min. cross-section (CSA)	AWG 12
Max. cross-section (CSA)	AWG 2

Conductors for clamping (additional connection)

Flexible with ferrule, min. (DIN 46228 pt 1)	2.5 mm ²
Flexible with ferrule, max. (DIN 46228 pt 1)	35 mm ²

Conductors for clamping (rated connection)

Clamping range, min.	2.5 mm ²
Clamping range, max.	35 mm ²
Type of connection	Tension clamp connection
2nd type of connection	clamped
Connection direction	top
No. of connections	2
Stripping length	25 mm
Blade size	1.0 x 5.5 mm
Gauge to IEC 60947-1	A8
Solid, min.	2.5 mm ²
Solid, max.	16 mm ²
Stranded, min.	2.5 mm ²
Stranded, max.	35 mm ²
Flexible, min.	2.5 mm ²
Flexible, max.	35 mm ²
Flexible with ferrule, min. (DIN 46228/1)	2.5 mm ²
Flexible with ferrule, max. (DIN 46228/1)	35 mm ²
Flexible, min., ferrule with plastic collar (DIN 46228 pt 4)	2.5 mm ²
Flexible, max., ferrule with plastic collar (DIN 46228 pt 4)	35 mm ²

Conductors for clamping (rated connection)

AWG conductor size, min.	AWG 12
AWG conductor size, max.	AWG 2
AWG conductor size, min.	3.31 mm ²
AWG conductor size, max.	33.62 mm ²

Dimensions

Width	16 mm
Height of lowest version	59 mm
Length	100.5 mm
TS 35 offset	47.5 mm

Rating data

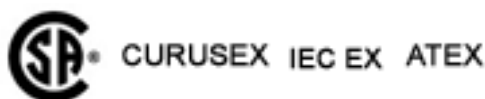
Rated cross-section	35 mm ²
Rated voltage	800 V
Rated impulse voltage	8 kV
Rated current	125 A
Standards	IEC 60947-7-1
Current with max. conductor	125 A
Pollution severity	3

UL rating data

Voltage (UL)	600 V
Current (UL)	120 A
Min. cross-section (UL)	AWG 12
Max. cross-section (UL)	AWG 2

Approvals

Approvals institutes



Downloads

STEP	1739620000_28687_ZDU_35_STP.stp
------	---------------------------------

Classifications

eClass 4.1	27-14-11-20
eClass 5.0	27-14-11-20
eClass 5.1	27-14-11-20

Similar products

Order No.	Part designation	Version
-----------	------------------	---------

1739630000 ZDU 35 BL

Feed-through terminal, 35 mm², Tension clamp connection, Wemid, blue, TS 35