



**Distributor of Molex Connector Corporation: Excellent Integrated System Limited**  
Datasheet of 0391001802 - Connector Eurostyle Terminal Strip Strip 2 Circuit 0.315" (8.00mm)

Contact us: [sales@integrated-circuit.com](mailto:sales@integrated-circuit.com) Website: [www.integrated-circuit.com](http://www.integrated-circuit.com)

---

## **Excellent Integrated System Limited**

Stocking Distributor

Click to view price, real time Inventory, Delivery & Lifecycle Information:

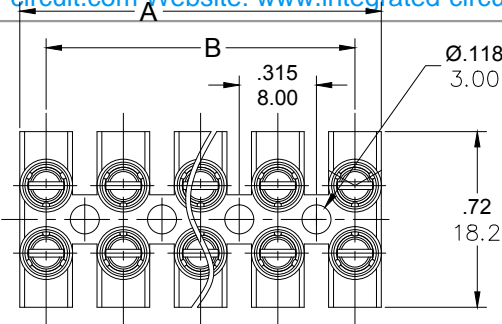
[Molex Connector Corporation](#)  
[0391001802](#)

For any questions, you can email us directly:

[sales@integrated-circuit.com](mailto:sales@integrated-circuit.com)

Contact us: sales@integrated-circuit.com Website: www.integrated-circuit.com

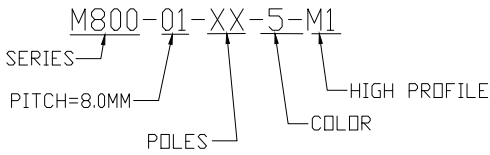
PART NUMBER DATA					
CIRCUITS	PART NUMBER	ENGINEERING NUMBER	COLOR	A IN mm	B IN mm
2	391001802	M800-01-02-5-M1	WHITE	.53	13.5
3	391001803	M800-01-03-5-M1	WHITE	.85	21.5
4	391001804	M800-01-04-5-M1	WHITE	1.16	29.5
5	391001805	M800-01-05-5-M1	WHITE	1.48	37.5
6	391001806	M800-01-06-5-M1	WHITE	1.79	45.5
7	391001807	M800-01-07-5-M1	WHITE	2.11	53.5
8	391001808	M800-01-08-5-M1	WHITE	2.42	61.5
9	391001809	M800-01-09-5-M1	WHITE	2.74	69.5
10	391001810	M800-01-10-5-M1	WHITE	3.05	77.5
11	391001811	M800-01-11-5-M1	WHITE	3.37	85.5
12	391001812	M800-01-12-5-M1	WHITE	3.68	93.5



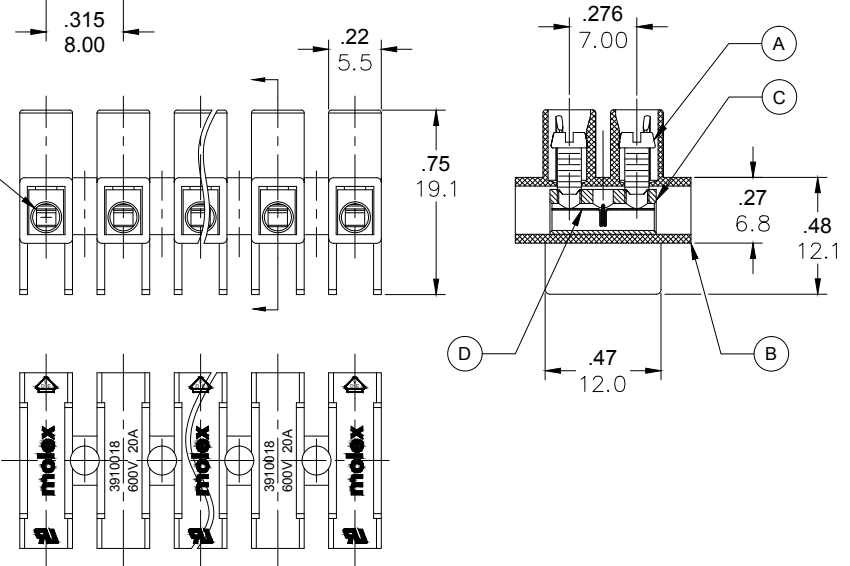
REF. LAST 2 DIGITS OF PART NUMBER EQUAL CIRCUIT COUNT

NOTE: IF THIS PRODUCT IS STORED IN AN ENVIRONMENT WITH A RELATIVE HUMIDITY OF LESS THAN 50%, MOISTURE MUST BE ADDED. REFER TO TECHNICAL ADVISORY AS 45499-001 FOR INSTRUCTIONS.

ENGINEERING NUMBER LEGEND



CONTACT FACTORY FOR OPTIONAL COLORS



SPECIFICATIONS:

- Material:
  - (A) Screw: Steel, Zinc plated
  - (B) Body: PA66 UL94 V-0
  - (C) Cage: Brass, Nickel plated
  - (D) Terminal: Stainless Steel
- Rating: 600V, 20amps
- Wire range: 22-12 AWG
- Max torque: 4.4 in lbs.
- Dielectric voltage withstand: DC 3000V for 1 minute.
- Insulation resistance: DC 1000V, 100GΩ
- Rated Impulse Voltage: 4000V, Plus and Minus 5 times each
- Strip Length: .20 in. (5.0mm)
- Operating Temperature: -40° C to +105° C
- Contact Resistance: < 3 mΩ
- All dims. shown are for reference only

ADDED MOISTURE NOTE EC NO: PC2016-1226 37/16 DRWN: RSTONE 2016/03/10 CHKD: MZIELINS 2016/03/10 APPR: KUCZMIK 2014/07/21 REV:	QUALITY SYMBOL	GENERAL TOLERANCES (UNLESS SPECIFIED)	DIMENSION STYLE	SCALE	DESIGN UNITS	THIRD ANGLE PROJECTION											
	$\nabla=0$ $\sphericalangle=0$	<table border="1"> <tr><th>mm</th><th>INCH</th></tr> <tr><td>4 PLACES</td><td>±</td></tr> <tr><td>3 PLACES</td><td>±.005</td></tr> <tr><td>2 PLACES</td><td>±.01</td></tr> <tr><td>1 PLACE</td><td>±.03</td></tr> </table>	mm	INCH	4 PLACES	±	3 PLACES	±.005	2 PLACES	±.01	1 PLACE	±.03	IN/MM	---	METRIC	DRAWN BY: RSTONE DATE: 2014/07/07 CHECKED BY: G FARNSW DATE: --- APPROVED BY: JFMURPHY DATE: 2014/07/21	TITLE: TERMINAL STRIP 8.0MM HIGH PROFILE 600V MOLEX INCORPORATED
	mm	INCH															
	4 PLACES	±															
3 PLACES	±.005																
2 PLACES	±.01																
1 PLACE	±.03																
DRAFT WHERE APPLICABLE MUST REMAIN WITHIN DIMENSIONS	SEE CHART SIZE C	MATERIAL NO. DOCUMENT NO. SD-39100-011	SHEET NO. 1 OF 1														
THIS DRAWING CONTAINS INFORMATION THAT IS PROPRIETARY TO MOLEX INCORPORATED AND SHOULD NOT BE USED WITHOUT WRITTEN PERMISSION																	