



Distributor of EDAC Inc.: Excellent Integrated System Limited

Datasheet of 627-W7W-220-012 - D-Sub Connector Plug, Male Pins 7 (5 + 2 Power) Position
Through Hole Solder

Contact us: sales@integrated-circuit.com Website: www.integrated-circuit.com

Excellent Integrated System Limited

Stocking Distributor

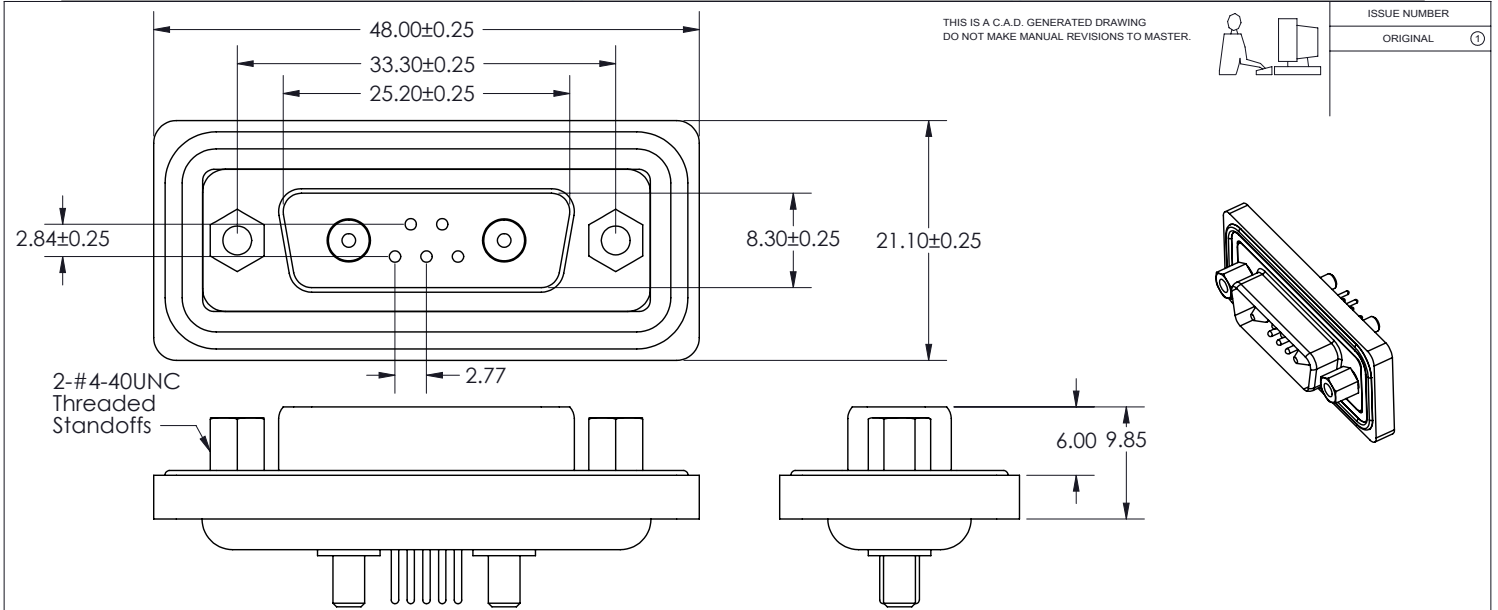
Click to view price, real time Inventory, Delivery & Lifecycle Information:

[EDAC Inc.](#)

[627-W7W-220-012](#)

For any questions, you can email us directly:

sales@integrated-circuit.com



Materials and Finish

- Insulator: PBT with Glass Fiber, UL94V-0, Black
- Shell: Steel, Nickel Plated
- Contact: Copper Alloy, with 2-Gold Flash Plating over Nickel
- Watertight Frame: PBT with Glass Fiber, UL94V-0, Black
- O-Ring: Silicone
- Epoxy Sealant: Epoxy
- DEGREE OF PROTECTION: IP67 AS PER IEC60529

Mounting Option

2- #4-40 UNC THREADED HOLE

Contact Information

20- PC TAIL



THIS SERIES FULLY CONFORMS TO THE EUROPEAN UNION DIRECTIVES 2002/95/EC AND 2002/96/EC FOR RoHS COMPLIANCY.

Electrical Characteristics

- Current Rating: Signal Contact: 5.0 A
High Power Contact: 10.0 A - 14.0 A
- Dielectric Withstanding Voltage: 1000 V / 1 Min
- Insulation Resistance: 5000 Megohm Min.
- Signal Contact Resistance: 10 Milliohms Max.
- High Power Contact Resistance: 1.0 Milliohms
- Working Temperature: -55C to +105C

Power Combo Waterproof D-Sub Connector
PLUG
PART NUMBER: 627-W7W-220-012



EDAC INC
TORONTO, ONTARIO
CANADA

YOUR CONNECTION TO QUALITY & SERVICE

THESE DRAWINGS AND SPECIFICATIONS ARE THE PROPERTY OF EDAC INC. AND SHALL NOT BE REPRODUCED, OR COPIED OR USED AS THE BASIS FOR THE MANUFACTURE OR SALE OF APPARATUS WITHOUT WRITTEN PERMISSION.

ACAD REFERENCE NO. 627-W7W Assembly	
DRAWN: R.STA.MONICA	DATE: June,4/13
CHECKED:	DATE:
SCALE: NTS	SHEET 1 OF 1
DRAWING NUMBER 627-W7W Assembly	ISSUE 1