

## Excellent Integrated System Limited

Stocking Distributor

Click to view price, real time Inventory, Delivery & Lifecycle Information:

[Bourns Inc.](#)  
[3610S-1-102](#)

For any questions, you can email us directly:  
[sales@integrated-circuit.com](mailto:sales@integrated-circuit.com)



## Features

- Snap-in or bushing mount options
- Standard resistance values available
- Digital dial provides excellent readability

## 3610 - 10-Turn Precision Knobpot®

### Electrical Characteristics<sup>1</sup>

Standard Resistance Range.....	100 to 100 K ohms
Total Resistance Tolerance.....	±5 %
Effective Electrical Angle .....	3600 ° nominal
Absolute Minimum Resistance .....	1 ohm or 0.1 % maximum (whichever is greater)
Noise .....	100 ohms ENR maximum
Dielectric Withstanding Voltage (MIL-STD-202, Method 301)	
Sea Level.....	1,000 VAC minimum
70,000 Feet .....	400 VAC minimum
Power Rating (Voltage Limited By Power Dissipation or 385 VAC, Whichever is Less)	
+25 °C.....	1.5 watts
+85 °C.....	0 watt
Insulation Resistance (500 VDC) .....	1,000 megohms minimum
Resolution .....	See recommended part numbers
Accuracy (Correlation of Dial Readout to Voltage Ratio Output).....	±0.5 % voltage ratio
Repeatability of Dial Readout.....	±0.1 % voltage ratio

### Environmental Characteristics<sup>1</sup>

Operating Temperature Range .....	+1 °C to +85 °C
Storage Temperature Range .....	-25 °C to +85 °C
Temperature Coefficient Over Storage Temperature Range <sup>2</sup> .....	±50 ppm/°C maximum/wire
Vibration .....	10 G
Wiper Bounce .....	0.1 millisecond maximum
Total Resistance Shift .....	±2 % maximum
Voltage Ratio Shift .....	±0.2 % maximum
Shock .....	50 G
Wiper Bounce .....	0.1 millisecond maximum
Total Resistance Shift .....	±2 % maximum
Voltage Ratio Shift .....	±0.2 % maximum
Load Life.....	1,000 hours, 1.5 watts
Total Resistance Shift .....	±2 % maximum
Rotational Life (No Load) .....	50,000 shaft revolutions
Total Resistance Shift .....	±2 % maximum
Moisture Resistance (MIL-STD-202, Method 103, Condition B)	
Total Resistance Shift .....	±2 % maximum
IP Rating.....	IP 60

### Mechanical Characteristics<sup>1</sup>

Stop Strength.....	14 N-cm (20 oz.-in.) minimum
Mechanical Angle .....	3600 ° +20 °, -0 °
Torque (Starting).....	0.71 to 4.94 N-cm (1.0 to 7.0 oz.-in.) maximum
Torque (Running).....	4.94 N-cm (7.0 oz.-in.) maximum
Variation.....	0.71 N-cm (1.0 oz.-in.) maximum
Backlash .....	1.0 ° maximum
Weight .....	Approximately 20 gm
Terminals .....	Gold-plated J-Hooks
Soldering Condition	
Manual Soldering.....	96.5Sn/3.0Ag/0.5Cu solid wire or no-clean rosin cored wire; 370 °C (700 °F) max. for 3 seconds
Wave Soldering .....	96.5Sn/3.0Ag/0.5Cu solder with no-clean flux; 260 °C (500 °F) max. for 5 seconds
Wash processes .....	Not recommended
Markings.....	Manufacturer's name and part number, resistance value and tolerance, wiring diagram, and date code

<sup>1</sup>At room ambient: +25 °C nominal and 50 % relative humidity nominal, except as noted.

### Recommended Part Numbers

Part Number	Resistance (Ω)	Resolution (%)
<b>3610S-1-102</b>	<b>1,000</b>	<b>.035</b>
<b>3610S-1-502</b>	<b>5,000</b>	<b>.027</b>
<b>3610S-1-103</b>	<b>10,000</b>	<b>.022</b>

Part Number	Resistance (Ω)	Resolution (%)
<b>3610S-2-102</b>	<b>1,000</b>	<b>.035</b>
<b>3610S-2-502</b>	<b>5,000</b>	<b>.027</b>
<b>3610S-2-103</b>	<b>10,000</b>	<b>.022</b>

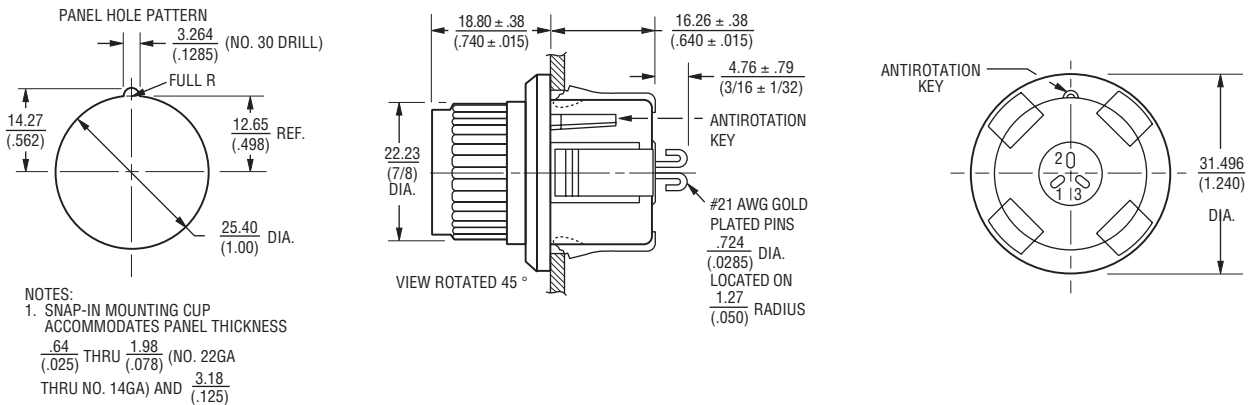
**BOLDFACE LISTINGS ARE IN STOCK AND READILY AVAILABLE THROUGH DISTRIBUTION.**  
 FOR OTHER OPTIONS AND RESISTANCE VALUES, PLEASE CONSULT THE FACTORY.

# 3610 - 10-Turn Precision Knobpot®

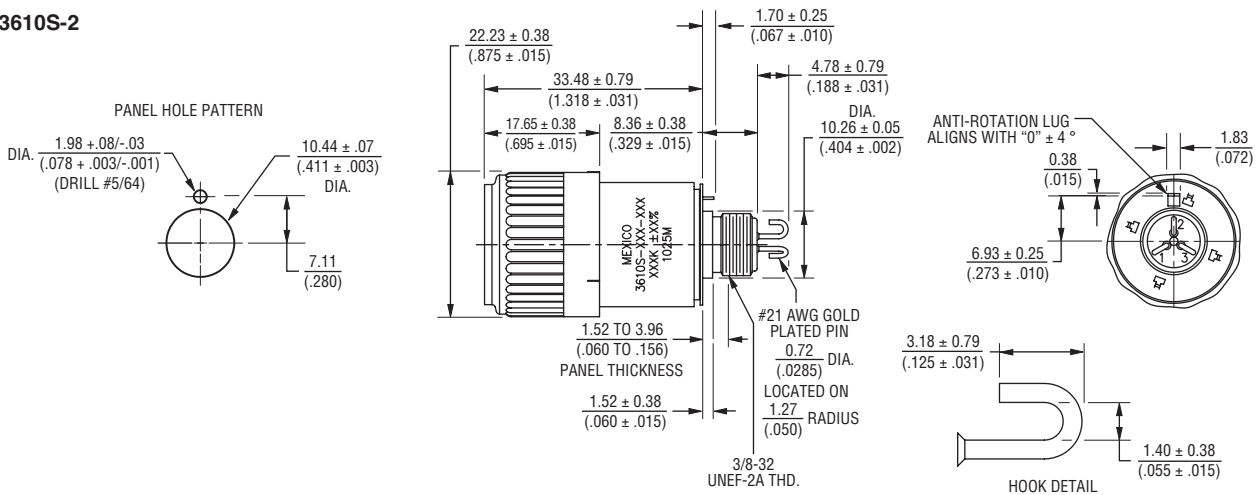


## Product Dimensions

### 3610S-1



### 3610S-2



TOLERANCES: EXCEPT WHERE NOTED  
 DECIMALS: .XX ± .25 (.010), .XXX ± .13 (.005)  
 FRACTIONS: ± 1/64  
 DIMENSIONS: MM (IN.)

