

Excellent Integrated System Limited

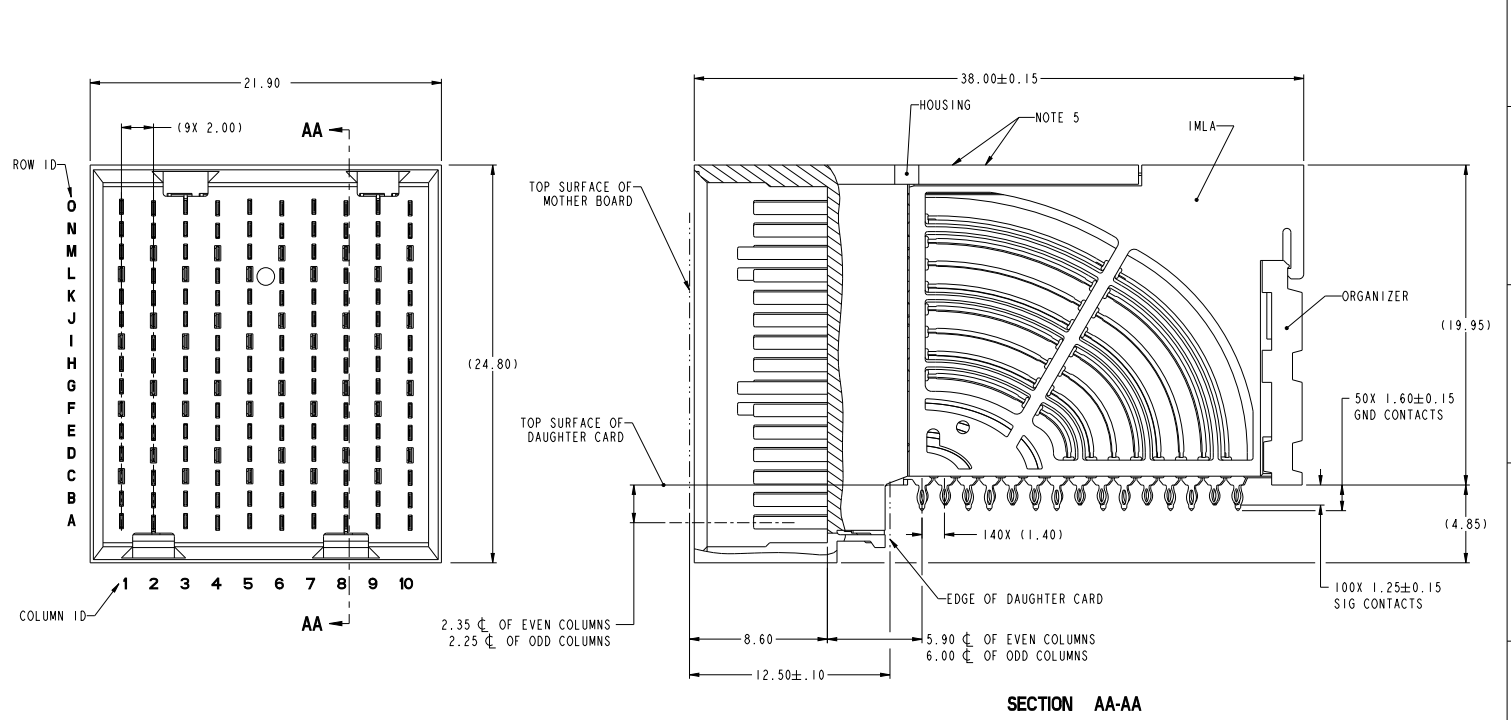
Stocking Distributor

Click to view price, real time Inventory, Delivery & Lifecycle Information:

[FCI](#)
[10124151-102LF](#)

For any questions, you can email us directly:
sales@integrated-circuit.com

PRODUCT NUMBER
SEE SHEET 3



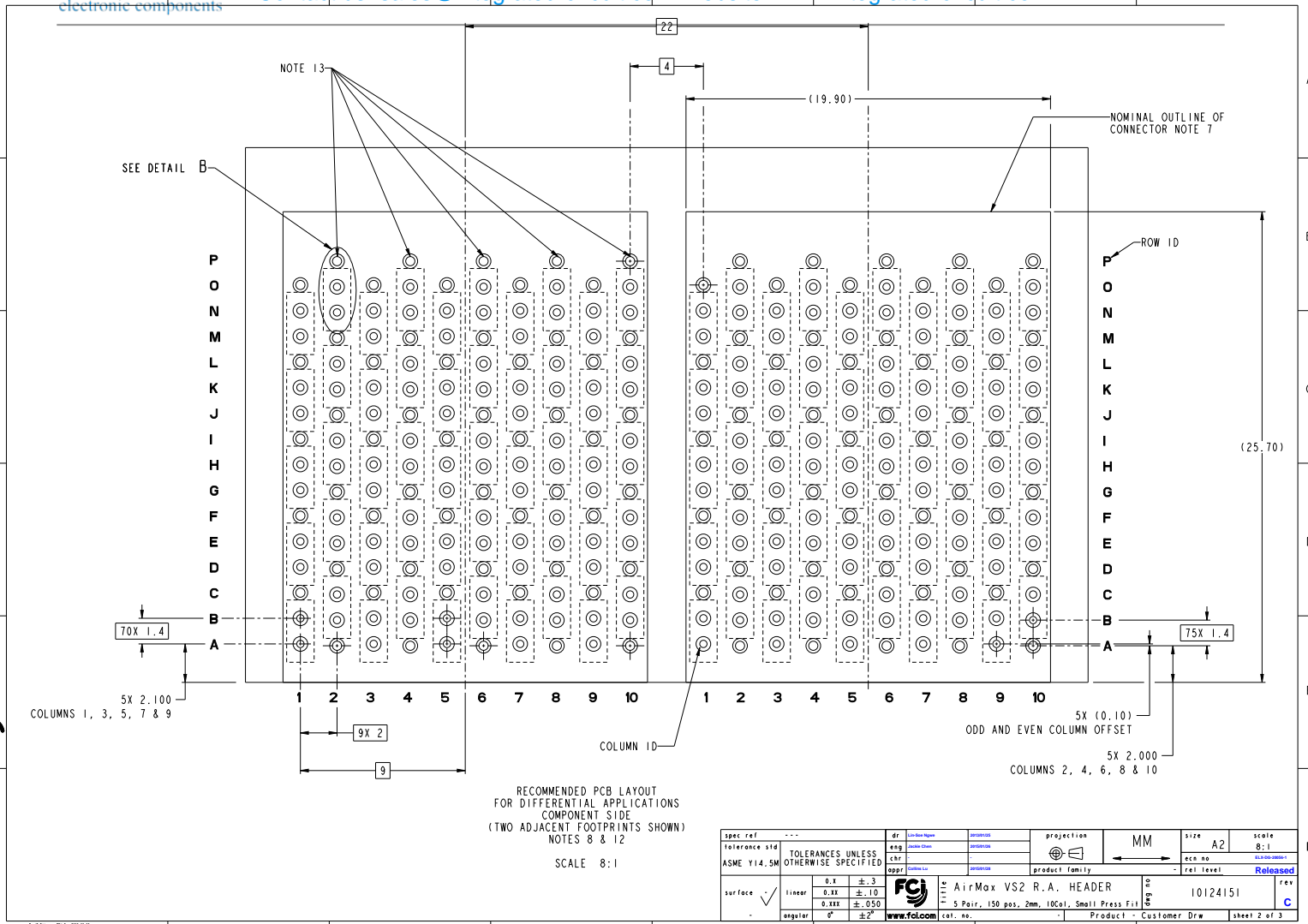
SECTION AA-AA

Copyright FCI

spec. ref.	---	dr.	Luciano Nogue	designed	projection	MM	size	A2	scale	10:1
tolerance std.	ASME Y14.5M	eng.	Luciano Nogue	checked	1st angle		acc. no.			
TOLERANCES UNLESS OTHERWISE SPECIFIED		chr.		approved	product family		rel. level	Released		
surface	linear	0.1	±.3	FCI	AirMax VS2 R.A. HEADER		part no.	10124151	rev	C
	angular	0.25	±.05	www.fci.com	5 Pair, 150 pos, 2mm, 10Col, Small Press Fit		Product	Customer Draw	sheet	1 of 3

PDS: Rev :C STATUS: Released Printed: Jan 28, 2015

Copyright FCI.



RECOMMENDED PCB LAYOUT
FOR DIFFERENTIAL APPLICATIONS
COMPONENT SIDE
(TWO ADJACENT FOOTPRINTS SHOWN)
NOTES 8 & 12
SCALE 8:1

spec ref	---	dr	LuChen Ngien	desig		projection	MM	size	A2	scale	8:1
tolerance std	ASME Y14.5M	eng	LuChen Ngien	check		product family		acc no		rel level	Released
surface	linear	0.1	±.3	FCI	10124151	product family		acc no	10124151	rev	C
	angular	0.25	±.05	www.fci.com	col. no.	Product	Customer Draw	sheet	2 of 2		

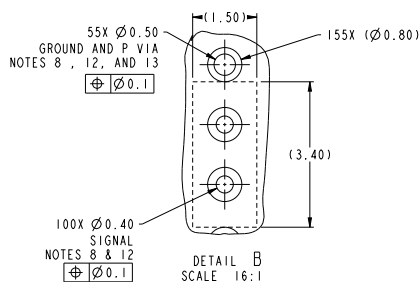
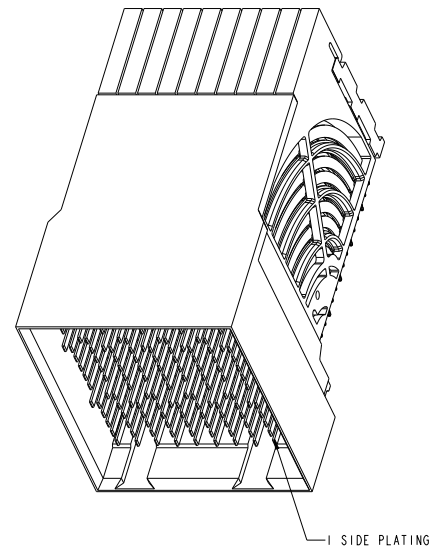
PDS: Rev :C

STATUS: Released

Printed: Jan 28, 2015

PRODUCT NUMBER	PRESS-FIT TAIL PLATING TYPE	PLATING SIDE TYPE
10124151-101	TIN/LEAD ALLOY OVER NICKEL	1 SIDE PLATING (CUSTOMER SPECIAL)
10124151-101LF	TIN OVER NICKEL (LEAD FREE)	
10124151-102	TIN/LEAD ALLOY OVER NICKEL	2 SIDE PLATING
10124151-102LF	TIN OVER NICKEL (LEAD FREE)	

- 1 - CONNECTOR MATERIALS:
HOUSING: HIGH TEMP THERMOPLASTIC, NATURAL, UL94-V0
IMLA PLASTIC: HIGH TEMP THERMOPLASTIC, BLACK, UL94-V0
CONTACT: COPPER ALLOY
ORGANIZER: HIGH TEMP THERMOPLASTIC, NATURAL, UL94-V0
- 2 - CONTACT PLATING:
SEPARABLE INTERFACE:
PERFORMANCE-BASED PLATING, QUALIFIED TO MEET THE REQUIREMENTS OF FCI PRODUCT SPECIFICATION GS-12-0956 INCLUDING TELCORDIA GR-1217-CORE (NOVEMBER 1995) CENTRAL OFFICE TEST SEQUENCE
PRESS-FIT TAILS: SEE TABLE
- 3 - PRODUCT SPECIFICATION: GS-12-0956
- 4 - APPLICATION SPECIFICATION: GS-20-0305
- 5 - PRODUCT MARKING, (PROTOTYPE, PART NUMBER & LOT CODE), ON THIS SURFACE.
- 6 - POSITIONS "F" AND "L" OF ODD NUMBERED COLUMNS AND POSITIONS "G" AND "M" OF EVEN NUMBERED COLUMNS CORRESPOND TO EARLY MATE HEADER PINS.
- 7 - CONNECTOR OUTLINE MAY BE SCREEN PRINTED ONTO CUSTOMER PCB TO BE USED AS A GUIDE FOR CONNECTOR PLACEMENT.
- 8 - REFER TO CUSTOMER DRAWING 10104444 FOR INFORMATION ON PCB HOLE DIAMETERS AND PLATING OPTIONS
- 9 - LEAD FREE PRODUCT MEETS THE EUROPEAN UNION DIRECTIVES & OTHER COUNTRY REGULATIONS AS DESCRIBED IN GS-22-008
- 10 - A SYMBOL WILL BE NEXT TO ANY DIMENSION, VIEW, OR NOTE, WHICH HAS BEEN MODIFIED WITH THE CURRENT DRAWING REVISION.
- 11 - PACKAGING MEETS GS-14-920 LEAD FREE LABELING SPECIFICATION.
- 12 - GROUND CONTACTS (C, F, I, L, & O IN ODD COLUMNS AND A, D, G, J, & M IN EVEN COLUMNS) REQUIRE (Ø0.50) FINISHED HOLES. SIGNAL LOCATIONS REQUIRE (Ø0.40) FINISHED HOLES
- 13 - THESE OUTER VIAS (P) ARE OPTIONAL. WHILE NO CONNECTOR PINS ARE PRESSED INTO THESE HOLES WE RECOMMEND (Ø0.500) FINISHED HOLES AT THESE LOCATIONS TO PROVIDE GROUND SYMMETRY THROUGH THE PCB.



10124151-101 OR -101LF
10124151-102 OR -102LF
SCALE 4:1

spec ref	---	dr	LuChen Ngan	designed	projection	MM	size	A2	scale	10:1
tolerance std	ASME Y14.5M	eng	LuChen Ngan	checked	product family		acc no		rel level	Released
TOLERANCES UNLESS OTHERWISE SPECIFIED		chr		approved	FCI		Title		AirMax VS2 R.A. HEADER	
surface	linear	0.1	±.3	0.2X	±.10	0.2X	±.050	5 Pair, 150 pos, 2mm, 10Col, Small Press Fit		10124151
	angular	Ø	±2°	www.fci.com		cat. no.	Product - Customer Draw		sheet 3 of 3	rev C

PDS: Rev :C

STATUS: Released

Printed: Jan 28, 2015

Copyright FCI.