

## Excellent Integrated System Limited

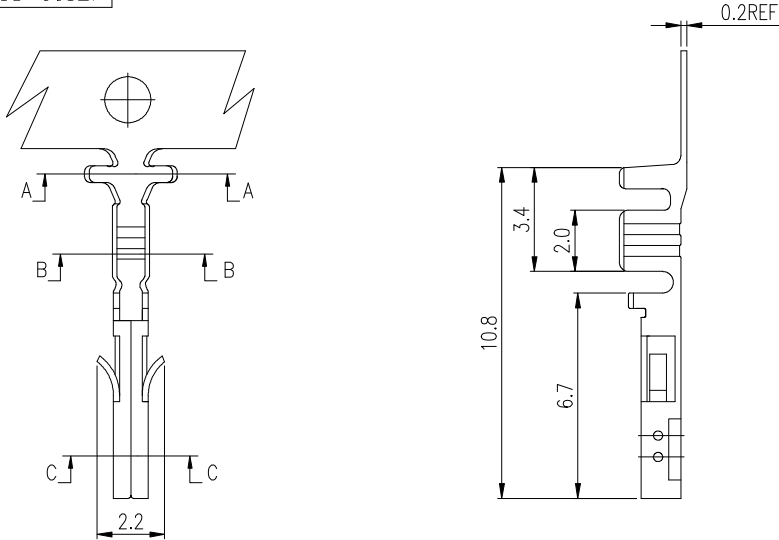
Stocking Distributor

Click to view price, real time Inventory, Delivery & Lifecycle Information:

[FCI](#)  
[10127718-001LF](#)

For any questions, you can email us directly:  
[sales@integrated-circuit.com](mailto:sales@integrated-circuit.com)

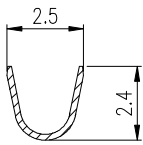
PRODUCT NUMBER  
 10127718-001LF



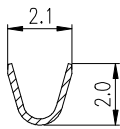
NOTES:

1. MATERIAL:  
 TERMINAL: PHBR
2. FINISH:  
 MIN. 30u" NICKEL OVERALL UNDERPLATING.  
 OPTIONAL PLATING ON CONTACT AREA.
3. PLATE TYPE: PRE-TIN PLATED.
4. TERMINAL Q'ty/REEL: 10,000PCS.
5. APPLICABLE WIRES: AWG#30~#20, INSULATOR O.D:  
 1.27~1.85mm.
6. THIS TERMINAL IS USED WITH FCI RECEPTACLE HSG  
 10127716.
7. PRODUCT SPECIFICATION: GS-12-1177.
8. PACKAGE SPECIFICATION: GS-14-2359.
9. PRODUCT NUMBER SCHEME:  
 10127718-00XLF

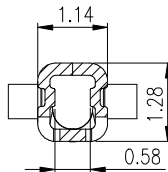
PLATING CODE  
 1: 80u" TIN OVERALL  
 2: Gold Flash



SEC A-A



SEC B-B



SEC C-C  
 SCALE 2:1

mat'l. code		surface	tolerance	projection	product family
ltr	ecn no	dr	date	tolerances unless otherwise specified	title
A		TAI	2013-10-21	angles X.X ±0.4	RECEPTACLE CRIMP TERMINAL FOR 3mm PITCH WIRE CONNECTOR
B	ELX-T-17032	TAI	2014-02-26	angles X.XX ±0.30	
				scale	MM
		dr	KENNY TAI 2013-10-21	scale	
		enr	KENNY TAI 2013-10-21	dwg no	
		chr	KENNY TAI 2013-10-21	sheet 1 of 1	
		appd	PM ZHENG 2013-11-06	size	
				A4	
sheet index		revision sheet	B 1	type	
				CUSTOMER Drawing	