

Excellent Integrated System Limited

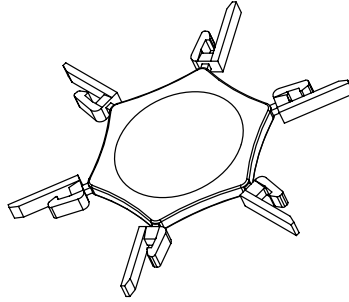
Stocking Distributor

Click to view price, real time Inventory, Delivery & Lifecycle Information:

[FCI](#)
[AF00002000J0G](#)

For any questions, you can email us directly:
sales@integrated-circuit.com

PRODUCT NUMBER	PITCH
AF00002000J0G	NA



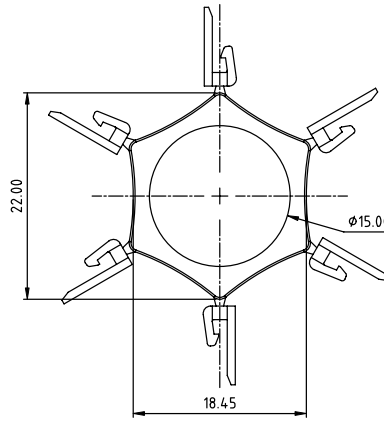
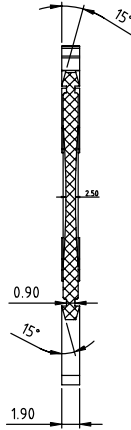
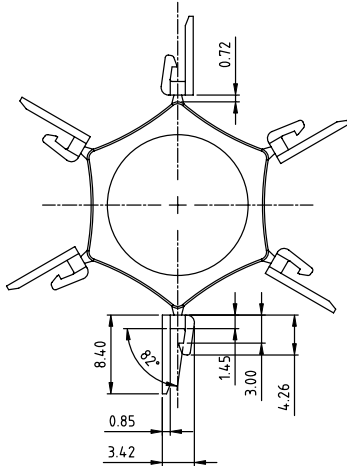
Material
 ● Insulator (housing): Thermoplastic (UL94V-0)
 Color: Red(RAL3001/D)

Match with the following series

Pitch 5.0/5.08/7.5/7.62

AF	0Q	VK	VE	VL	VF	VZ
●	●	●	●	●	●	●

V5	V8	H5	EU	KE
●	●	●	●	●



mat'l. code	surface ASME Y14.5	tolerance ASME Y14.5	projection	product family
ltr	ecn	no	dr	date
tolerances unless otherwise specified				title
angles	X.±0.5	line	X.X±0.3	TERMINAL BLOCK
X'±1'	X.XX±0.1	scale	MM	ACCESSORIES,CODING KEY
dr	EVIN ZHONG	070814	FCI	dwg no
enrg	EVIN ZHONG	070814		sheet 1 of 1
chr	HANKE FENG	070814		size
appd	SHI JUN	070814		A4
sheet index	revision sheet	A	1	type
				CUSTOMER Drawing