

Excellent Integrated System Limited

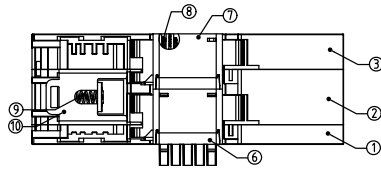
Stocking Distributor

Click to view price, real time Inventory, Delivery & Lifecycle Information:

[FCI](#)
[AM00008000JOG](#)

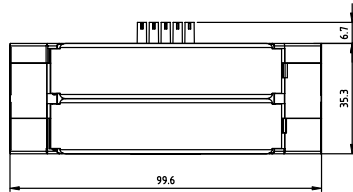
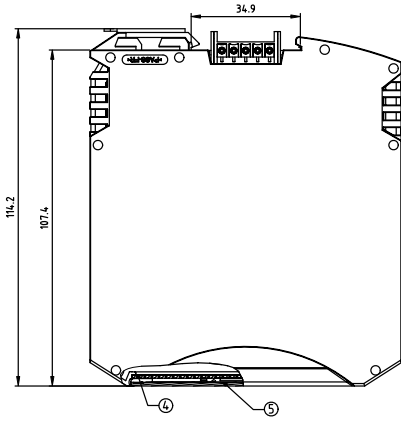
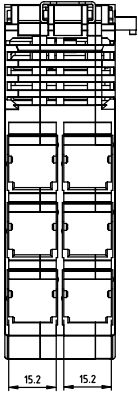
For any questions, you can email us directly:
sales@integrated-circuit.com

PRODUCT NUMBER	PITCH
AM0000x000JOG	NA



Note:

- ① Front-Body: Thermoplastic (UL94V-0)
- ② Mid-Body: Thermoplastic (UL94V-0)
- ③ Back-Body: Thermoplastic (UL94V-0)
- ④ Top Cover: Thermoplastic (UL94V-0)
- ⑤ Top Transparently Cover: PC
- ⑥ Top-Body (Accessory): Thermoplastic (UL94V-0)
- ⑦ Bottom-Body (Accessory): Thermoplastic (UL94V-0)
- ⑧ Contact (Accessory): Phosphor bronze, Au plated
- ⑨ Spring: Stainless steel
- ⑩ Fixed: Steel, Zinc plated



PART NO.: AM 00 00 x 0 00JOG

	Color	RoHS compliant
0	Black (RAL9005)	(lead<4%)
2	Red (RAL3001/D)	In copper Alloy
3	Orange(RAL2011/P)	
4	Yellow(RAL1018/A)	
5	Green(RAL6018/T)	
6	Blue (RAL5015/A)	
8	Grey(RAL7035/D)	

mat'l. code	surface ASME Y14.5	tolerance ASME Y14.5	projection	product family
ltr	ecn	no	dr	date
tolerances unless otherwise specified				title
angles	X.±0.5		MM	TERMINAL BLOCK
line	X.X±0.3		scale	ACCESSORIES, MATCH WITH EU 3P(RIGHT AND LEFT)
X'±1'	X.XX±0.1		FCI	dwg no
dr	EVIN ZHONG	070814		sheet 1 of 1
enr	EVIN ZHONG	070814		size
chr	HANKE FENG	070814		A4
appd	SHI JUN	070814		type
sheet	revision	A		CUSTOMER Drawing
index	sheet	1		