

Excellent Integrated System Limited

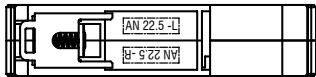
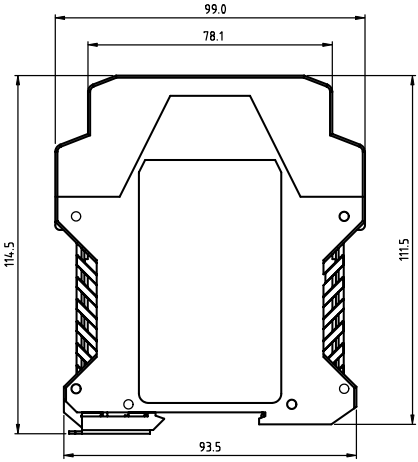
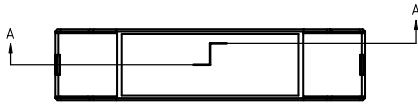
Stocking Distributor

Click to view price, real time Inventory, Delivery & Lifecycle Information:

[FCI](#)
[AN00005000J0G](#)

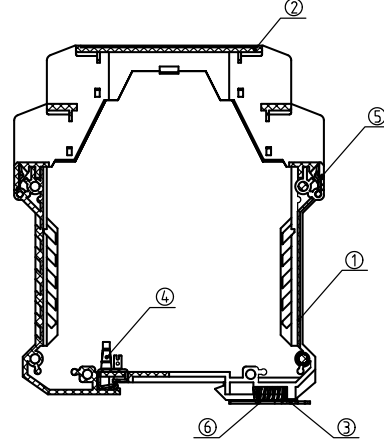
For any questions, you can email us directly:
sales@integrated-circuit.com

PRODUCT NUMBER	PITCH
AN00005000JOG	NA



Material:

- Item ① Terminal body: Thermoplastic (UL94 V-0) Color: Green(RAL6018/T)
- Item ② Terminal cover: Thermoplastic (UL94 V-0) Color: Green(RAL6018/T)
- Item ③ Dinrail wire guard: Steel Zinc plated
- Item ④ Contacts: PhBz Tin plated
- Item ⑤ Terminal card: Thermoplastic (UL94 V-0) Color: Green(RAL6018/T)
- Item ⑥ Spring: Stainless steel



SECTION A-A

mat'l. code	surface ASME Y14.5 ✓	tolerance ASME Y14.5	projection MM	product family TERMINAL BLOCK
ltr	ecn	no	dr	date
tolerances unless otherwise specified				
angles	X.±0.5		X.X±0.3	
X'±1'	X.XX±0.1		scale	
dr	EVIN ZHONG	070814	FCI	
enr	EVIN ZHONG	070814	title TERMINAL BLOCK	
chr	HANKE FENG	070814	ACCESSORIES,MATCH WITH EU 4P(RIGHT AND LEFT)	
appd	SHI JUN	070814	dwg no AN00005000JOG	
sheet index	revision sheet	A 1	type CUSTOMER Drawing	