

Excellent Integrated System Limited

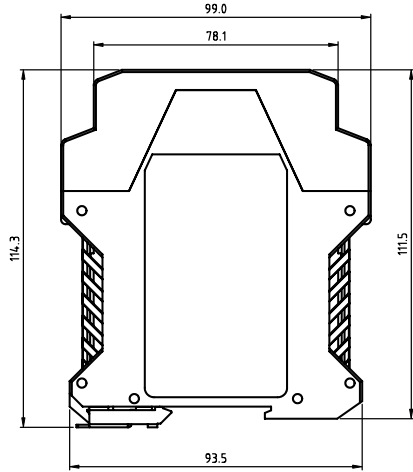
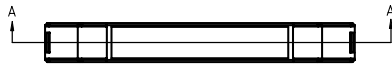
Stocking Distributor

Click to view price, real time Inventory, Delivery & Lifecycle Information:

[FCI](#)
[AN02005000J0G](#)

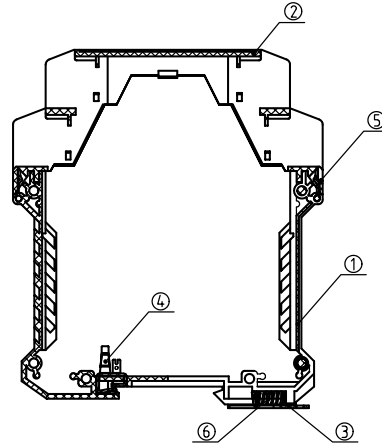
For any questions, you can email us directly:
sales@integrated-circuit.com

PRODUCT NUMBER	PITCH
AN02005000JOG	NA

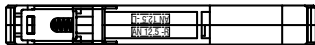


Material:

- Item ① Terminal body: Thermoplastic (UL94 V-0) Color: Green(RAL6018/T)
- Item ② Terminal cover: Thermoplastic (UL94 V-0) Color: Green(RAL6018/T)
- Item ③ Dinrail wire guard: Steel Zinc plated
- Item ④ Contacts: PhBz Tin plated
- Item ⑤ Terminal card: Thermoplastic (UL94 V-0) Color: Green(RAL6018/T)
- Item ⑥ Spring: Stainless steel



SECTION A-A



mat'l. code	surface ASME Y14.5	tolerance ASME Y14.5	projection MM	product family TERMINAL BLOCK										
ltr	ecn	no	dr	date										
tolerances unless otherwise specified														
angle		X.±0.5	line											
X'±1'		X.X±0.3	scale											
dr		EVIN ZHONG	070814											
enr		EVIN ZHONG	070814											
chr		HANKE FENG	070814											
appd		SHI JUN	070814											
sheet index	revision sheet	A	1	<table border="1"> <tr> <td>title</td> <td>TERMINAL BLOCK</td> </tr> <tr> <td>ACCESSORIES,MATCH WITH EU 2P(RIGHT AND LEFT)</td> <td></td> </tr> <tr> <td>dwg no</td> <td>AN02005000JOG</td> </tr> <tr> <td>sheet 1 of 1</td> <td>size A4</td> </tr> <tr> <td>type</td> <td>CUSTOMER Drawing</td> </tr> </table>	title	TERMINAL BLOCK	ACCESSORIES,MATCH WITH EU 2P(RIGHT AND LEFT)		dwg no	AN02005000JOG	sheet 1 of 1	size A4	type	CUSTOMER Drawing
title	TERMINAL BLOCK													
ACCESSORIES,MATCH WITH EU 2P(RIGHT AND LEFT)														
dwg no	AN02005000JOG													
sheet 1 of 1	size A4													
type	CUSTOMER Drawing													