

Excellent Integrated System Limited

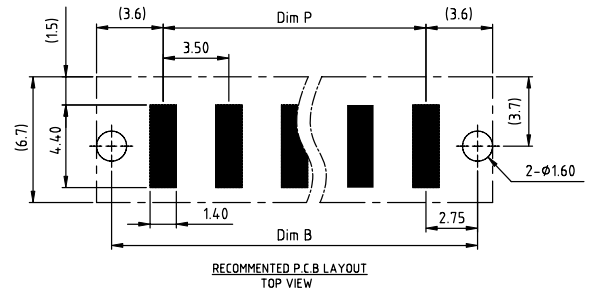
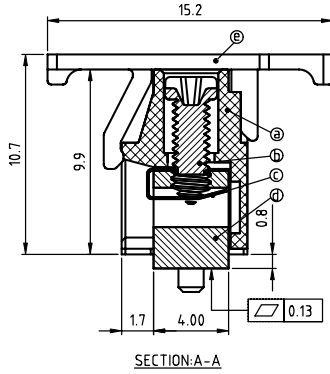
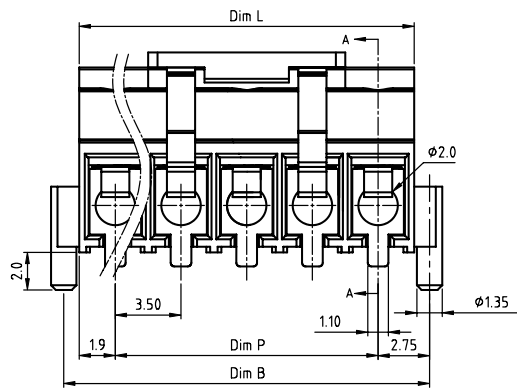
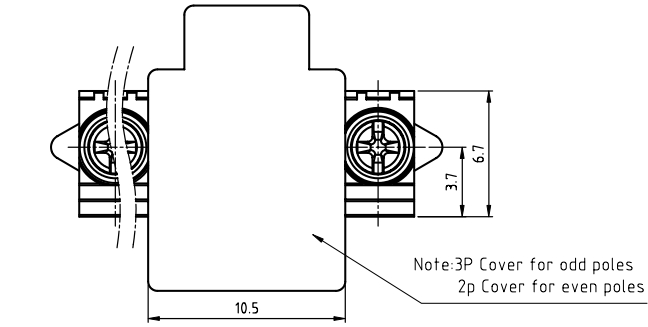
Stocking Distributor

Click to view price, real time Inventory, Delivery & Lifecycle Information:

[FCI](#)
[EC021001B0J0G](#)

For any questions, you can email us directly:
sales@integrated-circuit.com

PRODUCT NUMBER	PITCH
ECxx10x1B0J0G	3.50 mm



- Materials:**
- Item ① Terminal body: High temp. polyamide (UL94V-0)
 - Item ② Terminal screw: Steel Zinc plating "+/-" slot type
 - Item ③ Wire guard: Stainless steel
 - Item ④ Terminal: Brass (CuZn) Tin Plated
 - Item ⑤ Terminal Cover: High temp. polyamide (UL94V-0)
- Electrical UL**
- Voltage rating: 150VAC
 - Current rating: 10A
 - Wire range:
 - Solid wire (AWG): 16-26
 - Stranded wire (AWG): 16-26
 - Torque (Lb-In): 2.0
 - Screw: M2.0
 - Wire strip length: 5-6mm
 - Withstanding Voltage: 16KV
 - Operating temperature: -40°C to +115°C
 - Reflow Soldering temperature: 260°C/10Sec max
 - Safety Approval:

N=Number of poles
Dim L=Nx3.5+0.35
Dim P=(N-1)x3.5
Dim B=(N-1)x3.5+5.5

PART NO.: EC xx 10 x 1 B0J0 G

Solid block 02 2 POLES 0
 03 3 POLES
 ...
 16 16 POLES

Body Color Black (RAL9005)

RoHS compliant (lead<4%) In copper Alloy

Poles	Dim	Dim L	Dim P	Dim B
2-6p		±0.25	±0.20	±0.20
7-12p		±0.30	±0.25	±0.25
13-16p		±0.35	±0.30	±0.30

mat'l. code	surface ASME Y14.5 ✓	tolerance ASME Y14.5	projection	product family
ltr ecn no dr date	tolerances unless otherwise specified	angles	MM	TERMINAL BLOCK
	X.±0.5	X'±1°	scale	title
	X.X±0.3			TERMINAL BLOCK
	X.XX±0.1			WIRE PROTECTOR WITH PILLAR, SMT TYPE, 180D WIRE INLET
dr EVIN ZHONG 040314				dwg no sheet 1 of 1 size
enr EVIN ZHONG 040314				ECxx10x1B0J0G A4
chr HANKE FENG 040314				type CUSTOMER Drawing
appd SHI JUN 040314				
sheet index	revision sheet	A 1		