

## Excellent Integrated System Limited

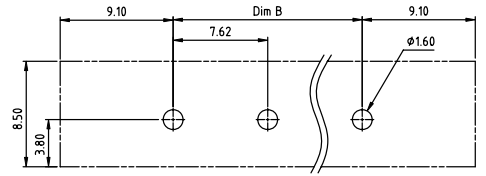
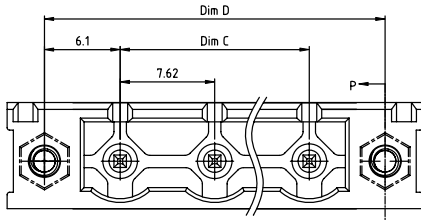
Stocking Distributor

Click to view price, real time Inventory, Delivery & Lifecycle Information:

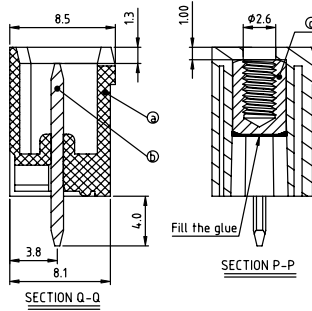
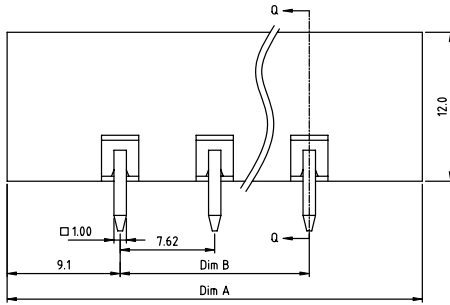
[FCI](#)  
[OQ03050000J0G](#)

For any questions, you can email us directly:  
[sales@integrated-circuit.com](mailto:sales@integrated-circuit.com)

PRODUCT NUMBER	PITCH
OQxx05x000J0G	7.62 mm



RECOMMENDED P.C.B LAYOUT  
TOP VIEW



Material:

- Item ① Male contact pin: Copper Tin plated
- Item ② Terminal housing: Thermoplastic (UL94V-0)
- Item ③ Flange nut: Brass ,M2.5

- Electrical:
- |                          |                 |
|--------------------------|-----------------|
| cULus                    | TUV             |
| ● Voltage rating:        | 300V 750V       |
| ● Current rating:        | 20A 15A         |
| ● Withstanding Voltage:  | 1.6 KV 6KV      |
| ● Operating temperature: | -40°C to +115°C |
| ● Soldering temperature: | 260°C±5°C/5 Sec |
| ● Safety Approval:       |                 |

DIMENSION

Dim A	(N+1)X7.62+2.96
Dim B&C	(N-1)X7.62
Dim D	(N-1)X7.62+12.2

N= NUMBER OF POLES

Poles	Tolerance
2P-4P	±0.15
5P-8P	±0.20
9P-12P	±0.30
13P-16P	±0.40

PART NO.: OQ xx 0 5 x 0 00J0 G

- |              |     |                     |                 |
|--------------|-----|---------------------|-----------------|
| No. of poles | 0   | Black (RAL9005)     | RoHS compliant  |
| 02           | 2   | Red (RAL3001/D)     | (lead<4%)       |
| 03           | 3   | Orange(RAL2011/P)   | In copper Alloy |
| ...          | ... | 4 Yellow(RAL1018/A) |                 |
| 16           | 16  | 5 Green(RAL6018/T)  |                 |
|              |     | 6 Blue (RAL5015/A)  |                 |
|              |     | 8 Grey(RAL7035/D)   |                 |
|              |     | 9 White(RAL1102)    |                 |
|              |     | C Green(RAL6018/U)  |                 |

mat'l. code	surface ASME Y14.5	tolerance ASME Y14.5	projection 	product family TERMINAL BLOCK
ltr	ecn	no	dr	date
tolerances unless otherwise specified				title TERMINAL BLOCK
angles	X.±0.5		MM	PLUGGABLE SOCKET, WITH FLANGE, VERTICAL
line	X.X±0.3		scale	sheet 1 of 1
	X'±1'			size A4
dr	HANKE FENG	040414		dwg no OQxx05x000J0G
enr	HANKE FENG	040414		type CUSTOMER Drawing
chr	SHI JUN	040414		
appd	SHI JUN	040414		
sheet index	revision sheet	A 1		