

Excellent Integrated System Limited

Stocking Distributor

Click to view price, real time Inventory, Delivery & Lifecycle Information:

[SunLED](#)
[XYWFRS101WYSF14V](#)

For any questions, you can email us directly:

sales@integrated-circuit.com

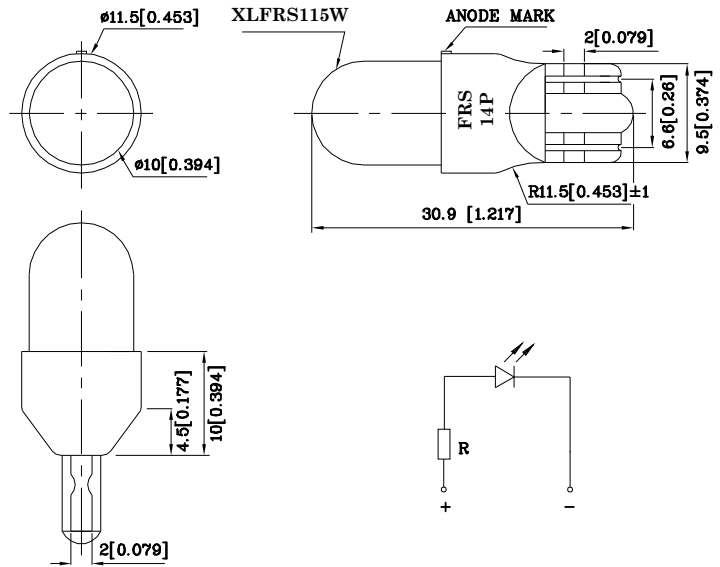
Features

- Long life and robust package
- Low power consumption
- Vibration resistant
- 14V internal resistor
- RoHS Compliant



ATTENTION
OBSERVE PRECAUTIONS
FOR HANDLING
ELECTROSTATIC
DISCHARGE
SENSITIVE
DEVICES

Package Schematics



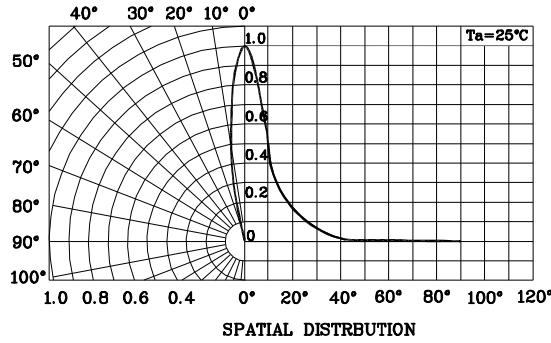
- Notes:
1. All dimensions are in millimeters (inches).
 2. Tolerance is $\pm 0.25(0.01)$ " unless otherwise noted.
 3. Specifications are subject to change without notice.

| Absolute Maximum Ratings (TA=25°C) | | FRS (InGaN) | Unit |
|--|------|----------------|------|
| Reverse Voltage | VR | 5 | V |
| Forward Voltage | VF | 16 | V |
| Power Dissipation | PD | 320 | mW |
| Operating Temperature | TA | -40 ~ +70 | °C |
| Storage Temperature | Tstg | -40 ~ +85 | |
| Electrostatic Discharge Threshold (HBM) | | 250 | v |

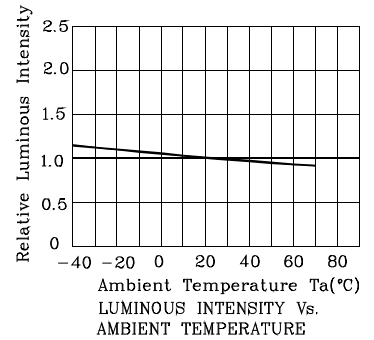
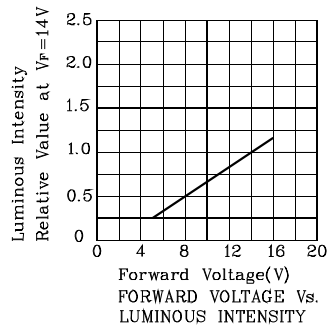
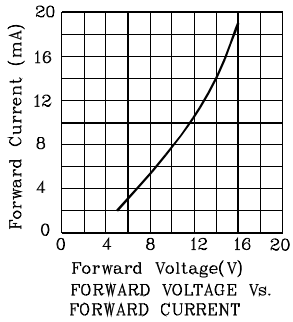
| Operating Characteristics (TA=25°C) | | FRS (InGaN) | Unit |
|--|----|----------------|------|
| Forward Current (Typ.) (VF=14V) | IF | 14 | mA |
| Forward Current (Max.) (VF=14V) | IF | 20 | mA |
| Reverse Current (Max.) (VR=5V) | IR | 50 | uA |
| Chromaticity Coordinates (Typ.) | X | 0.51 | |
| | Y | 0.42 | |

| Part Number | Emitting Color | Emitting Material | Lens-color | Luminous Intensity CIE127-2007* (VF=14V) mcd | | Viewing Angle 2θ 1/2 |
|------------------|----------------|-------------------|-------------|---|-------|-------------------------|
| | | | | min. | typ. | |
| XYWFRS101WYSF14V | Incandescent | InGaN | Water Clear | 6000* | 8990* | 20° |

*Intensity intensity value is in accordance with CIE127-2007 standards.

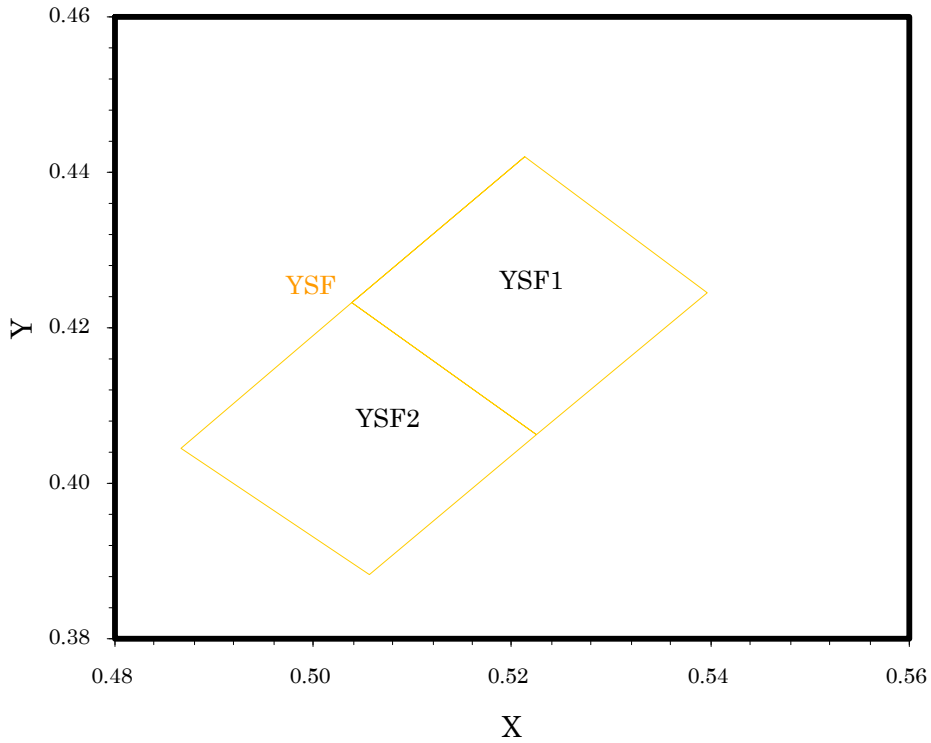


❖ **FRS**



XYWFRS101WYSF14V

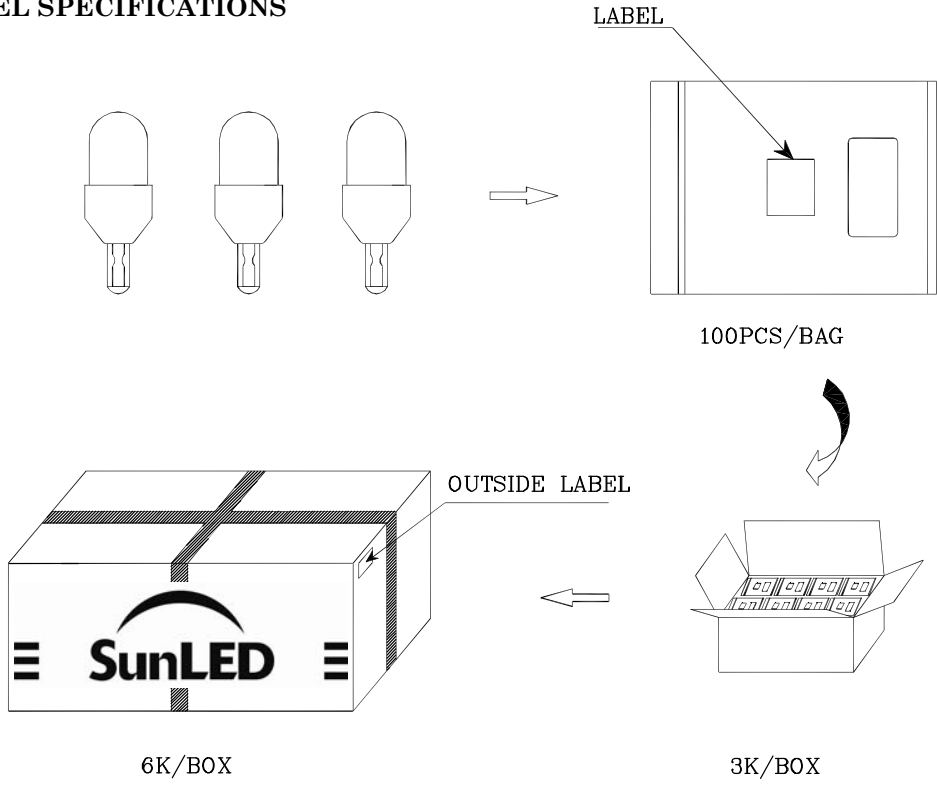
CIE 1931



| Bin code | x | y | Bin code | x | y |
|-------------|--------|--------|-------------|--------|--------|
| YSF1 | 0.5212 | 0.4220 | YSF2 | 0.5038 | 0.4232 |
| | 0.5038 | 0.4232 | | 0.4866 | 0.4045 |
| | 0.5225 | 0.4063 | | 0.5055 | 0.3882 |
| | 0.5396 | 0.4246 | | 0.5225 | 0.4063 |
| | 0.5212 | 0.4220 | | 0.5038 | 0.4232 |

Notes:
 Shipment may contain more than one chromaticity regions.
 Orders for single chromaticity region are generally not accepted.
 Measurement tolerance of the chromaticity coordinates is ±0.02.

PACKING & LABEL SPECIFICATIONS



SunLED

| | |
|---|-----------|
| | |
| P/N0 : XYWxxx101x | |
| QTY : 100 pcs | CODE: XXX |
| S/N : XX | |
| LOT NO: XXXXXXXXXXXXXXXXXXXXXXXX | |
| RoHS Compliant | |

TERMS OF USE

1. Data presented in this document reflect statistical figures and should be treated as technical reference only.
2. Contents within this document are subject to improvement and enhancement changes without notice.
3. The product(s) in this document are designed to be operated within the electrical and environmental specifications indicated on the datasheet. User accepts full risk and responsibility when operating the product(s) beyond their intended specifications.
4. The product(s) described in this document are intended for electronic applications in which a person's life is not reliant upon the LED. Please consult with a SunLED representative for special applications where the LED may have a direct impact on a person's life.
5. The contents within this document may not be altered without prior consent by SunLED.
6. Additional technical notes are available at <http://www.SunLEDusa.com/TechnicalNotes.asp>