

## Excellent Integrated System Limited

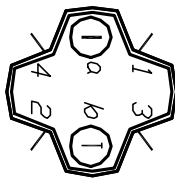
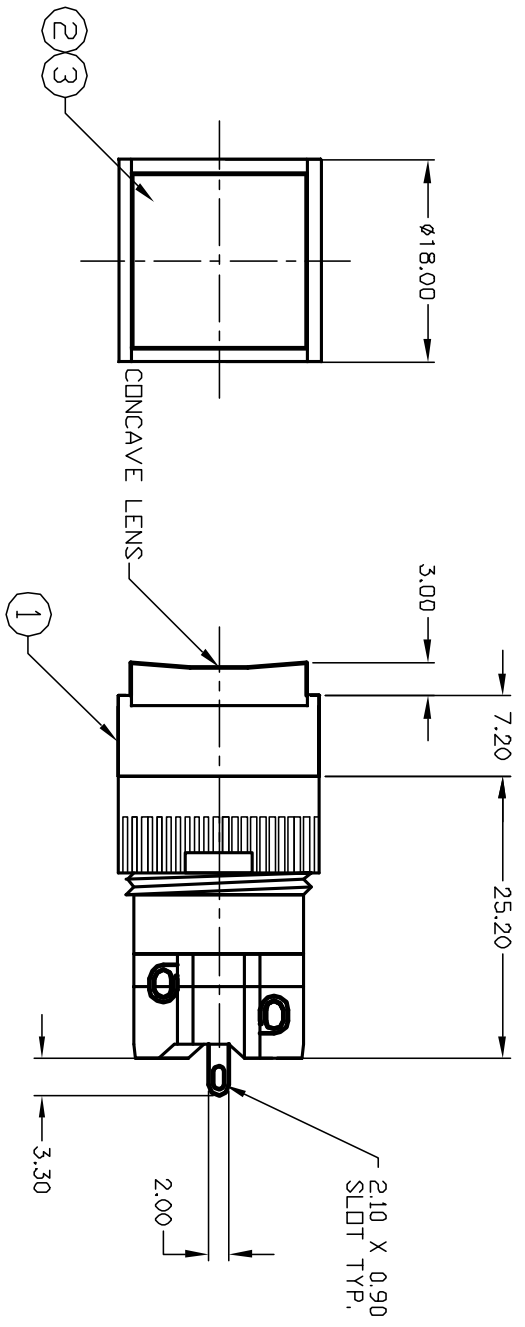
Stocking Distributor

Click to view price, real time Inventory, Delivery & Lifecycle Information:

[E-Switch](#)  
[D16OAS11JYELYEL](#)

For any questions, you can email us directly:

[sales@integrated-circuit.com](mailto:sales@integrated-circuit.com)



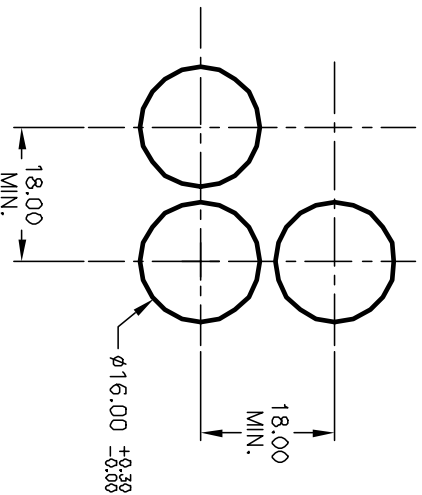
1 0 1 0 2  
 3 0 0 4  
 a-L-b (+)

SPST  
 CONTACT CONFIGURATION

PARTS LIST			
ITEM	QTY.	PART NO.	PART DESCRIPTION
1	1	F040008	D16 OA S1 1
2	1	F050421	50-004-21 (YEL Led)
3	1	F050306	50-003-06 (Transparent YEL lens)

NOTES:

1. ALL DIMENSIONS IN MM
2. GENERAL TOLERANCE: X.X=±0.4  
X.XX=±0.25
3. RATINGS: 5A @250V AC  
8A @125V AC
4. TRAVEL: 3.0mm
5. CONTACT MATERIAL:  
COPPER ALLOY W/Silver Plating
6. LAMP VOLTAGE: 12V



REV.	ECN No.	DESCRIPTION	DATE	CHKD
A	12563	RELEASED FOR PRODUCTION	11/14/02	CJB

TITLE	SCALE	DATE	DR	DWG	REV
D16 OA S11 J YEL YEL TRANSPARENT/CONCAVE LENS	1.5:1	11/14/02	CB	XF0527P	A

**E-SWITCH®**

THE INFORMATION CONTAINED IN THIS DOCUMENT IS PROPRIETARY TO E-SWITCH AND IS NOT TO BE COPIED OR TRANSMITTED