

## Excellent Integrated System Limited

Stocking Distributor

Click to view price, real time Inventory, Delivery & Lifecycle Information:

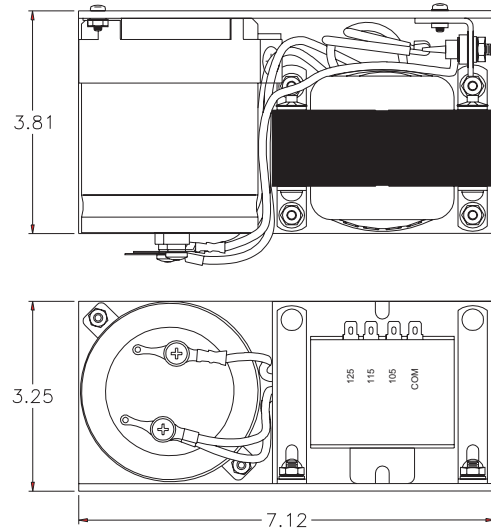
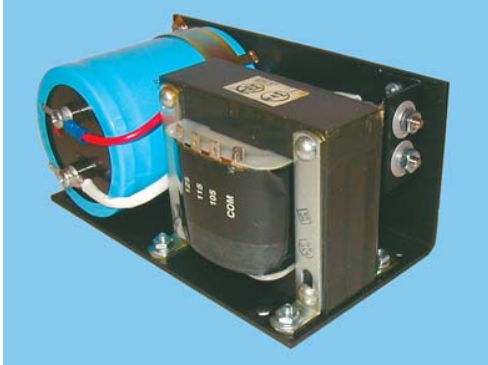
[ICCNEXERGY](#)  
[BFS100-48](#)

For any questions, you can email us directly:

[sales@integrated-circuit.com](mailto:sales@integrated-circuit.com)

# BFS100

## Unregulated Brute Force Power Supplies



**Features:**

- Open frame
- Fully isolated output
- Input/output isolation: 1500 VAC
- Warranty – 5 years

**Environmental**

- Operating temperature....0°C to 40°C
- Storage temperature.....-55°C to 85°C

**EMI**

Meets FCC class B, CISPR 22 class B

**Safety**

UL recognized

**Electrical specifications**

**Input**

- Voltage.....105/115/125 VAC
- Frequency.....47-400 Hz
- Input connector.....Transformer lugs

**Output**

- Unregulated: +/-10% full load
- Ripple/noise +/-3% RMS, DC to 50MHz

**Mechanical:**

- Size: 7.1 x 3.3 x 3.8 inches
- Weight: 6 lbs

**Specifications :**

				No Load	Full Load
Elpac Part #	Vdc	Amps	Watts	Volts	Volts
BFS100-12	12	7	100	15.2	12.5
BFS100-20	20	5	100	24	19.4
BFS100-24	24	3.5	100	30.5	25.5
BFS100-48	48	1.8	100	56.2	48

