

Excellent Integrated System Limited

Stocking Distributor

Click to view price, real time Inventory, Delivery & Lifecycle Information:

[Amphenol RF](#)
[SMP-FS-C09](#)

For any questions, you can email us directly:

sales@integrated-circuit.com

NOTES:

1. MATERIALS AND FINISHES:

BODY, CONTACT & ANTI ROCK RING - BeCu, GOLD PLATING OVER
 HIGH PHOSPHORUS ELECTROLESS NICKEL
 INSULATOR - PTFE

2. ELECTRICAL:

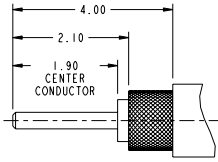
- A. IMPEDANCE: 50 OHM
- B. FREQUENCY RANGE: DC - 3 GHz
- C. RETURN LOSS: -30dB MAX
- D. DIELECTRIC WITHSTANDING VOLTAGE: 500 VRMS, MIN.

3. PHYSICAL:

- A. DURABILITY: 100 CYCLES MIN.
- B. TEMPERATURE RANGE: -65° C TO 165° C

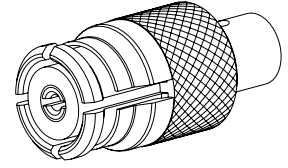
4. PACKAGING:

- A. QUANTITY: SINGLE PACK
- B. MARKING: BAG TO BE MARKED "AMPHENOLRF, SMP-FS-C09, AND DATE CODE"

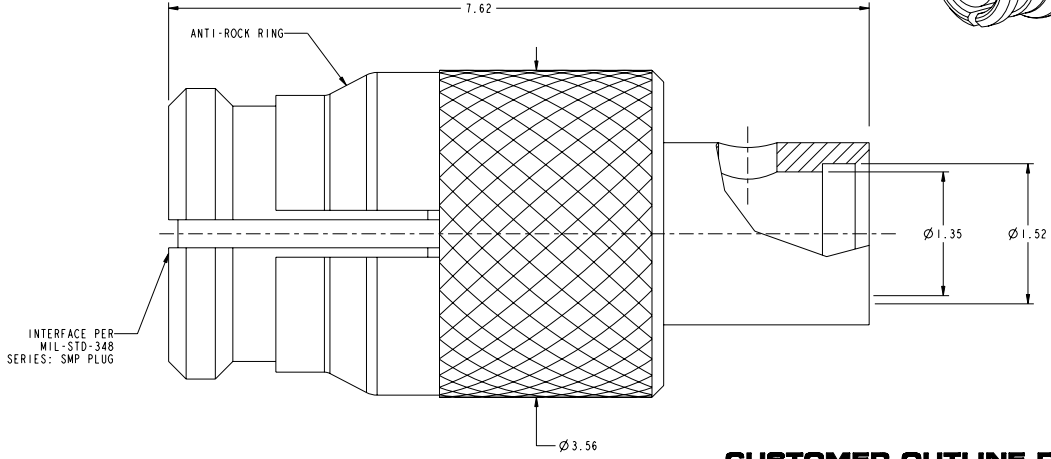


SCALE 15.000

**RECOMMENDED
CABLE STRIPPING DIMENSIONS**



SCALE 10.000



CUSTOMER OUTLINE DRAWING
 ALL OTHER SHEETS ARE FOR INTERNAL USE ONLY

UNLESS OTHERWISE SPECIFIED, DIMENSIONS ARE IN METRIC AND TOLERANCES ARE:
 $\pm 0.5mm$ $0.5 - 6mm$ $6 - 30mm$ $30 - 120mm$ ANGLES $\pm 1^\circ$
 $\pm 0.05mm$ $\pm 0.1mm$ $\pm 0.2mm$ $\pm 0.3mm$ $\pm 1^\circ$

NOTICE - These drawings, specifications, or other data (1) are, and remain the property of Amphenol Corp. (2) must be returned upon request; and (3) are confidential and not to be disclosed to any person other than those to whom they are given by Amphenol Corp. The furnishing of these drawings, specifications, or other data by Amphenol Corp., or to any other person for any purpose is not to be regarded by implication or otherwise in any manner licensing, granting rights to permitting such holder or any other person to manufacture, use or sell any product, process or design, patented or otherwise, that may in any way be related to or disclosed by said drawings, specifications, or other data.

MATERIAL

SEE NOTES

REFERENCE

EAR # 3793

CONFIGURATION LEVEL: □□□

FINISH

DRAWN

S.LI

ENGINEER

R.RAJAN

APPROVED

S.HSIEH

CAD FILE

Root Folder/SMP/SMP-FS-C09

DATE

26-Apr-11

DATE

23-Dec-09

DATE

26-Apr-11

TITLE

ASSY, SMP PLUG
 .047" S.R. CABLE

SCALE: 25.0:1.0 SHEET 2 OF 2

DWG SIZE B

REV A

Amphenol RF

Danbury CT USA, Tainan, Taiwan, Shenzhen, China
 www.amphenolrf.com

DRAWING NO. SMP-FS-C09

ITEM NO. SMP-FS-C09

PART NO. SMP-FS-C09