

## Excellent Integrated System Limited

Stocking Distributor

Click to view price, real time Inventory, Delivery & Lifecycle Information:

[PUI Audio, Inc.](#)  
[AT-0927-TT-6-R](#)

For any questions, you can email us directly:  
[sales@integrated-circuit.com](mailto:sales@integrated-circuit.com)

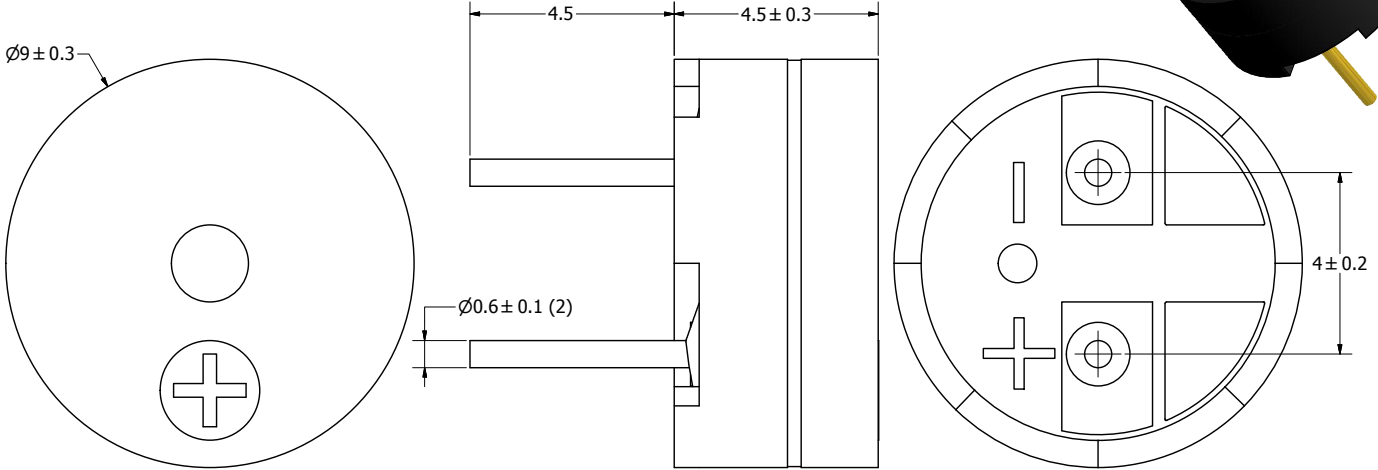
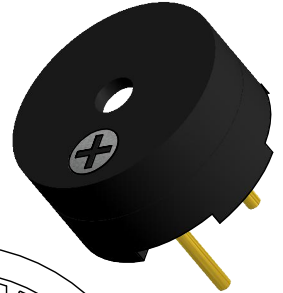
**SPECIFICATIONS**

PARAMETERS	VALUES	UNIT
RATED VOLTAGE	3	Vp-p
OPERATING VOLTAGE RANGE	2 ~ 4	Vp-p
RATED CURRENT (MAX)	80	mA
COIL RESISTANCE	15 ± 3	OHM
MINIMUM SPL @ 10 CM	85	dB
RESONANT FREQUENCY	2,730 ± 500	Hz
OPERATING TEMPERATURE	-20 ~ +70	°C
STORAGE TEMPERATURE	-30 ~ +80	°C
HOUSING MATERIAL	Noryl	-
TERMINAL MATERIAL	Au PLATED BRASS	-
WEIGHT	1	grams

THIS DOCUMENT CONTAINS DATA PROPRIETARY TO PROJECTS UNLIMITED, INC. ANY USE OR REPRODUCTION, IN ANY FORM, WITHOUT PRIOR WRITTEN PERMISSION OF PROJECTS UNLIMITED, INC. IS PROHIBITED.  
 ©2003, Projects Unlimited Inc.

**REVISION HISTORY**

LTR	DESCRIPTION	DATE	APPROVED
-	RELEASED FROM ENGINEERING	2014/07/15	



**NOTES:**

1. ALL DIMENSIONS ARE IN MILLIMETERS.
2. SPECIFICATIONS SUBJECT TO CHANGE OR WITHDRAWL WITHOUT NOTICE.
3. THIS PART IS RoHS 2011/65/EU COMPLIANT.

<small>UNLESS OTHERWISE SPECIFIED:          ALL PURCHASES ARE SUBJECT TO AND INCORPORATE THE PUI AUDIO TERMS AND CONDITIONS SALE FOUND AT <a href="http://www.puiaudio.com/pdft/terms_conditions.pdf">http://www.puiaudio.com/pdft/terms_conditions.pdf</a>          (paper copy available upon request).          DIMENSIONS ARE IN MILLIMETERS.          TOLERANCES ARE ±0.5 AND ANGLES ARE 45°.</small>	<b>SIZE</b>  <b>A3</b>	Designed by	Date	Checked by	Date	Approved by	Date	Drawn Date
		J.D.	7/15/2014	C.W.	7/15/2014	B.R.	7/15/2014	7/15/2014
				<b>AT-0927-TT-6-R</b>		<b>Transducer (Electro-Mech)</b>		Edition -
AT-0927-TT-6-R.idw								