

## Excellent Integrated System Limited

Stocking Distributor

Click to view price, real time Inventory, Delivery & Lifecycle Information:

[PUI Audio, Inc.](#)  
[AT-1220-TT-10-R](#)

For any questions, you can email us directly:

[sales@integrated-circuit.com](mailto:sales@integrated-circuit.com)

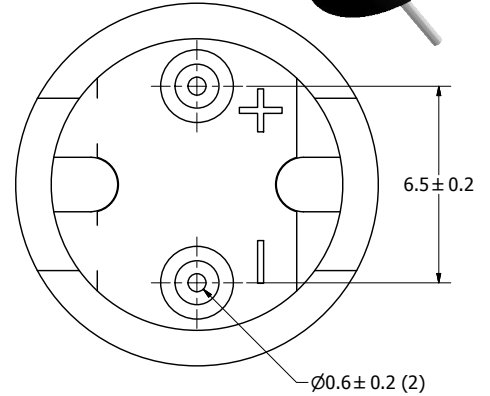
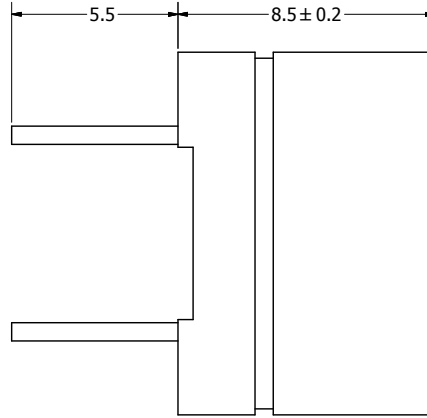
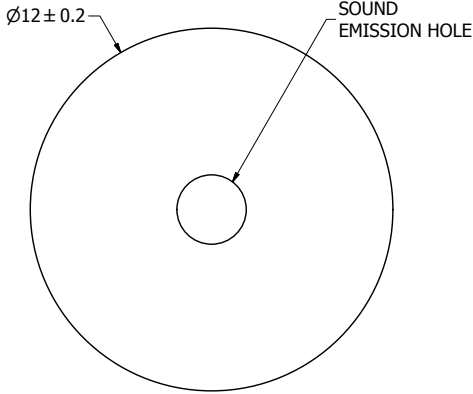
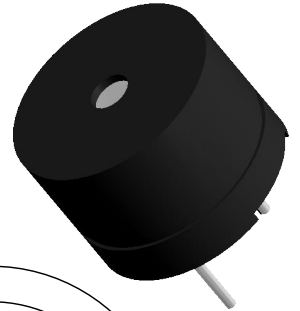
### SPECIFICATIONS

PARAMETERS	VALUES	UNITS
RATED VOLTAGE	1.5	Vp-p
OPERATING VOLTAGE RANGE	1 ~ 2	Vp-p
RATED CURRENT (MAX)	20	mA
COIL RESISTANCE	42 ± 6	OHM
MINIMUM SPL @ 10 CM	85	dBA
RESONANT FREQUENCY	2,048 ± 500	Hz
OPERATING TEMPERATURE	-20 ~ +70	°C
STORAGE TEMPERATURE	-30 ~ +80	°C
HOUSING MATERIAL	PPO	-
TERMINAL MATERIAL	Au PLATED BRASS	-
WEIGHT	2	grams

THIS DOCUMENT CONTAINS DATA PROPRIETARY TO PROJECTS UNLIMITED, INC. ANY USE OR REPRODUCTION, IN ANY FORM, WITHOUT PRIOR WRITTEN PERMISSION OF PROJECTS UNLIMITED, INC. IS PROHIBITED.  
 ©2003, Projects Unlimited Inc.

### REVISION HISTORY

LTR	DESCRIPTION	DATE	APPROVED
-	RELEASED FROM ENGINEERING	2014/06/30	



#### NOTES:

1. ALL DIMENSIONS ARE IN MILLIMETERS.
2. SPECIFICATIONS SUBJECT TO CHANGE OR WITHDRAWL WITHOUT NOTICE.
3. THIS PART IS RoHS 2011/65/EU COMPLIANT.

<small>UNLESS OTHERWISE SPECIFIED:          ALL PURCHASES ARE SUBJECT TO AND          INCORPORATE THE PUI AUDIO TERMS          AND CONDITIONS SALE FOUND AT  <a href="http://www.puiaudio.com/pdft/terms_conditions.pdf">http://www.puiaudio.com/pdft/terms_conditions.pdf</a>          (paper copy available upon request).          DIMENSIONS ARE IN MILLIMETERS.          TOLERANCES ARE ±0.5 AND          ANGLES ARE 45°.</small>	<b>SIZE</b>  <b>A3</b>	Designed by	Date	Checked by	Date	Approved by	Date	Drawn Date
		J.D.	6/30/2014	C.W.	6/30/2014	B.R.	6/30/2014	6/30/2014
<b>AT-1220-TT-10-R</b> Transducer (Electro-Mech)				Edition -		Sheet 1 / 1		
AT-1220-TT-10-R.idw		a projects unlimited company						