



Excellent Integrated System Limited

Stocking Distributor

Click to view price, real time Inventory, Delivery & Lifecycle Information:

[PUI Audio, Inc.](#)
[AT-1220-TT-11-R](#)

For any questions, you can email us directly:

sales@integrated-circuit.com

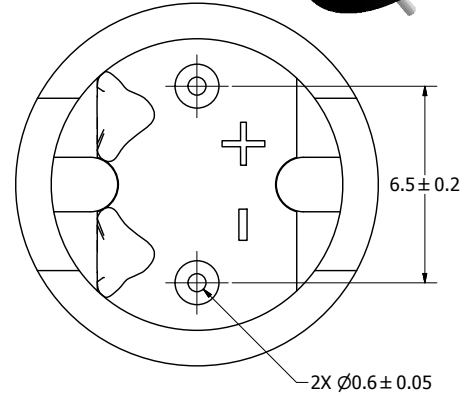
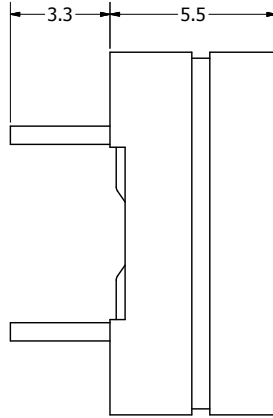
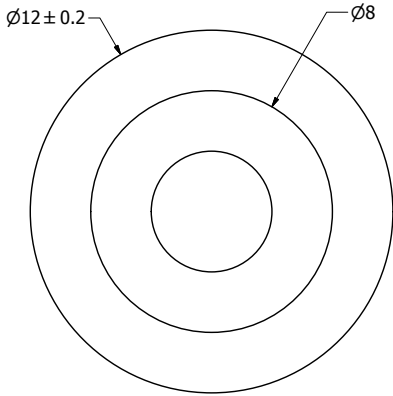
SPECIFICATIONS

PARAMETERS	VALUES	UNITS
RATED VOLTAGE	1.5	Vpk
OPERATING VOLTAGE RANGE	1 ~ 4	Vpk
RATED CURRENT (MAX)	10	mA
COIL RESISTANCE	50 ± 7.5	OHM
MINIMUM SPL @ 10 CM	78	dBA
RESONANT FREQUENCY	2,048 ± 500	Hz
OPERATING TEMPERATURE	-20 ~ +60	°C
STORAGE TEMPERATURE	-30 ~ +70	°C
HOUSING MATERIAL	PPO	-
TERMINAL MATERIAL	Sn PLATED BRASS	-
WEIGHT	2	grams

THIS DOCUMENT CONTAINS DATA PROPRIETARY TO PROJECTS UNLIMITED, INC. ANY USE OR REPRODUCTION, IN ANY FORM, WITHOUT PRIOR WRITTEN PERMISSION OF PROJECTS UNLIMITED, INC. IS PROHIBITED.
 ©2003, Projects Unlimited Inc.

REVISION HISTORY

LTR	DESCRIPTION	DATE	APPROVED
-	RELEASED FROM ENGINEERING	2014/07/23	



NOTES:

1. ALL DIMENSIONS ARE IN MILLIMETERS.
2. SPECIFICATIONS SUBJECT TO CHANGE OR WITHDRAWL WITHOUT NOTICE.
3. THIS PART IS RoHS 2011/65/EU COMPLIANT.

<small>UNLESS OTHERWISE SPECIFIED: ALL PURCHASES ARE SUBJECT TO AND INCORPORATE THE PUI AUDIO TERMS AND CONDITIONS SALE FOUND AT http://www.puiaudio.com/pdft/terms_conditions.pdf (paper copy available upon request). DIMENSIONS ARE IN MILLIMETERS. TOLERANCES ARE ±0.5 AND ANGLES ARE 45°.</small>	SIZE A3	Designed by	Date	Checked by	Date	Approved by	Date	Drawn Date		
		J.D.	7/23/2014	C.W.	7/23/2014	B.R.	7/23/2014	7/23/2014		
AT-1220-TT-11-R.idw				AT-1220-TT-11-R			Transducer (Electro-Mech)		Edition -	Sheet 1 / 1