

Excellent Integrated System Limited

Stocking Distributor

Click to view price, real time Inventory, Delivery & Lifecycle Information:

[QT Brightek \(QTB\)](#)
[QBLP631-YG](#)

For any questions, you can email us directly:

sales@integrated-circuit.com

QT-Brightek Chip LED Series

SMD 0805 LED

Part No.: QBLP631-YG

Table of Contents:

Introduction 3

Electrical / Optical Characteristic (Ta=25 °C) 4

Absolute Maximum Rating 4

Characteristic Curves..... 5

Solder Profile & Footprint..... 6

Packing 7

Labeling 8

Ordering Information 9

Revision History 10

Disclaimer 10

Product: QBLP631-YG	Date: September 16, 2014	Page 2 of 10
	Version# 1.0	

Introduction

Feature:

- Water clear lens (except white color)
- Package in tape and reel
- Bright 0805 LED package
- GaP Technology

Description:

These ultra bright 0805 LEDs have a height profile of 0.8mm. Combination of high brightness output and small footprint, these LEDs are ideal for keypad backlighting and status indication.

Application:

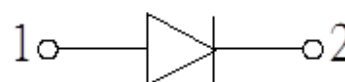
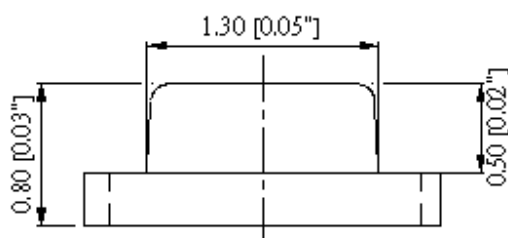
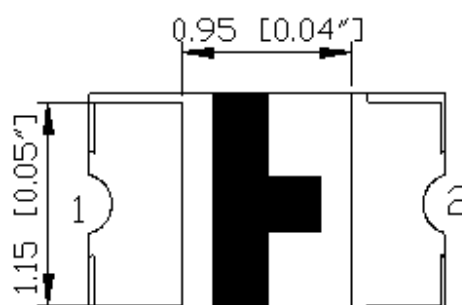
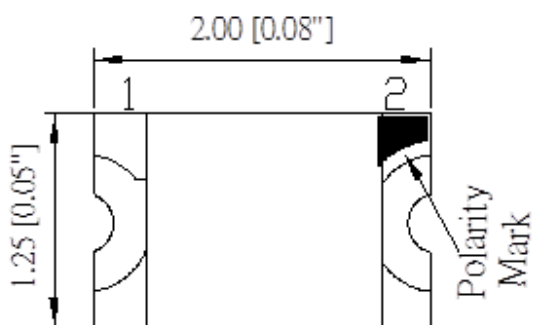
- Status indication
- Back lighting application

Certification & Compliance:

- TS16949
- ISO9001
- RoHS Compliant



Dimension:



Units: mm / tolerance = +/-0.1mm

Electrical / Optical Characteristic (Ta=25 °C)

Product	Color	I _F (mA)	V _F (V)		λ _D (nm)			I _V (mcd)	
			Typ.	Max.	Min.	Typ.	Max.	Min.	Typ.
QBLP631-YG	Yellow Green	20	2.0	2.5	565	570	576	5.0	15

Absolute Maximum Rating

Material	P _d (mW)	I _F (mA)	I _{FP} (mA)*	V _R (V)	T _{OP} (°C)	T _{ST} (°C)	T _{SOL} (°C)**
GaP	75	30	125	5	-40 ~ +80	-40 ~ +85	260

*Duty 1/8 @ 1KHz

**IR Reflow for no more than 10 sec @ 260 °C

Forward Voltage V_F for GaP @ I_F=20mA

Bin	Min.	Max.	Unit
□	1.7	2.5	V

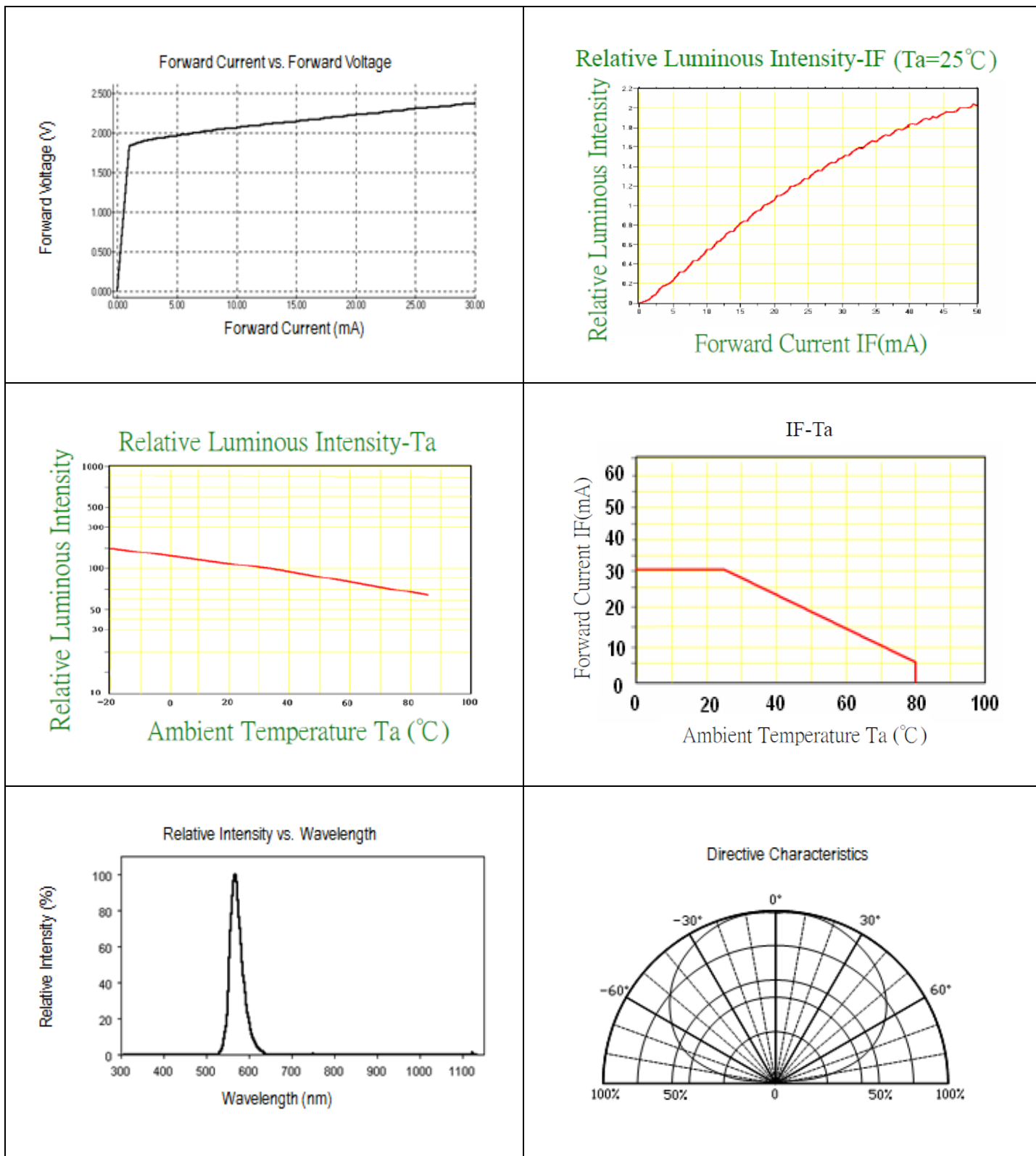
Luminous Intensity I_V @ I_F=20mA

Bin	Min.	Max.	Unit
8	5.0	8.0	mcd
9	8.0	12.5	
A	12.5	16	
B	16	20	
C	20	25	

Dominant Wavelength λ_D for Yellow Green @ I_F=20mA

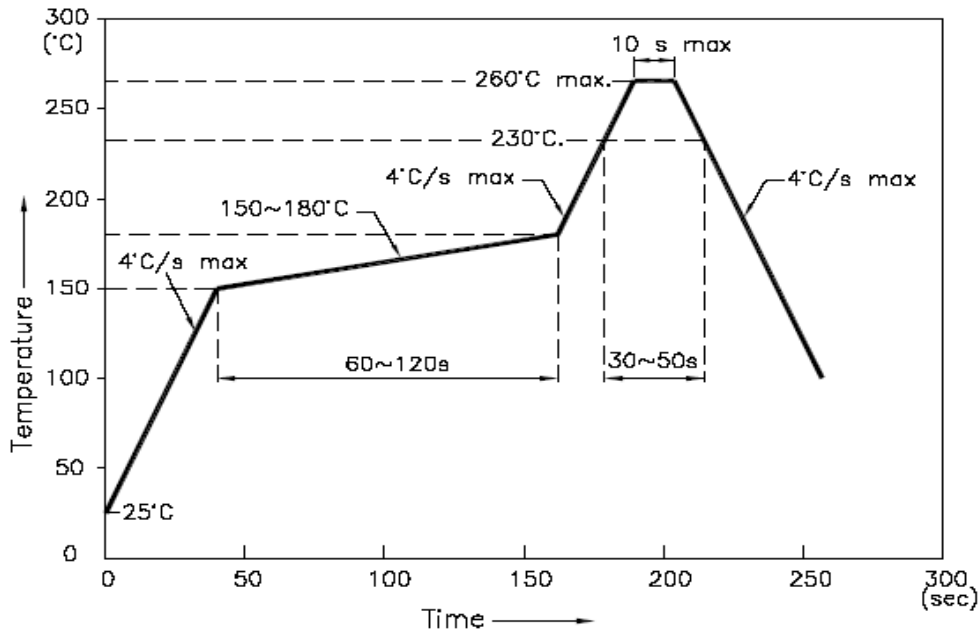
Bin	Min.	Max.	Unit
h	565	568	nm
i	568	572	
j	572	576	

Characteristic Curves

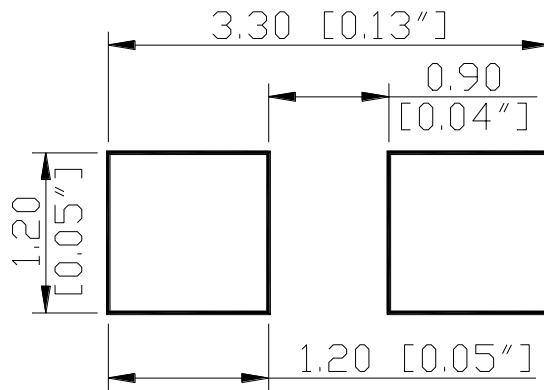


Solder Profile & Footprint

- Recommended tin solder specifications: melting temperature in the range of 178~192 °C
- The recommended reflow soldering profile is as follows (temperatures indicated are as measured on the surface of the LED resin):



Recommended Pad Layout



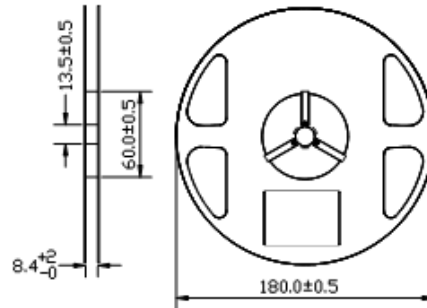
Units: mm

Tolerance: ± 0.1mm

Product: QBLP631-YG	Date: September 16, 2014	Page 6 of 10
	Version# 1.0	

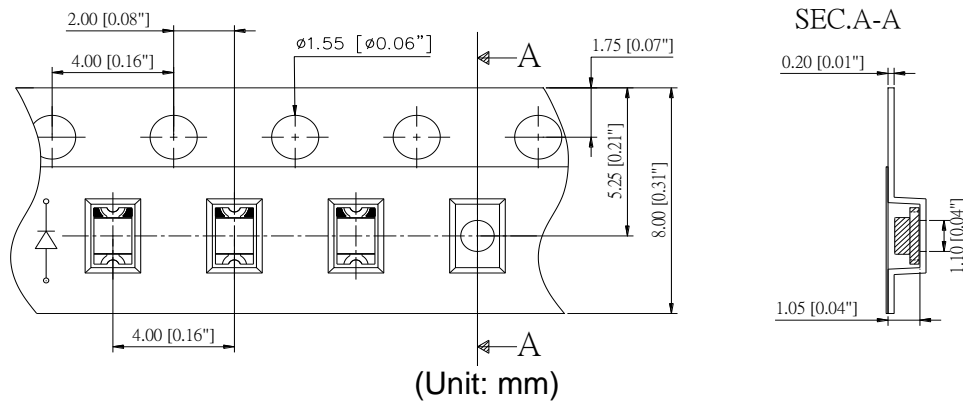
Packing

Reel Dimension:



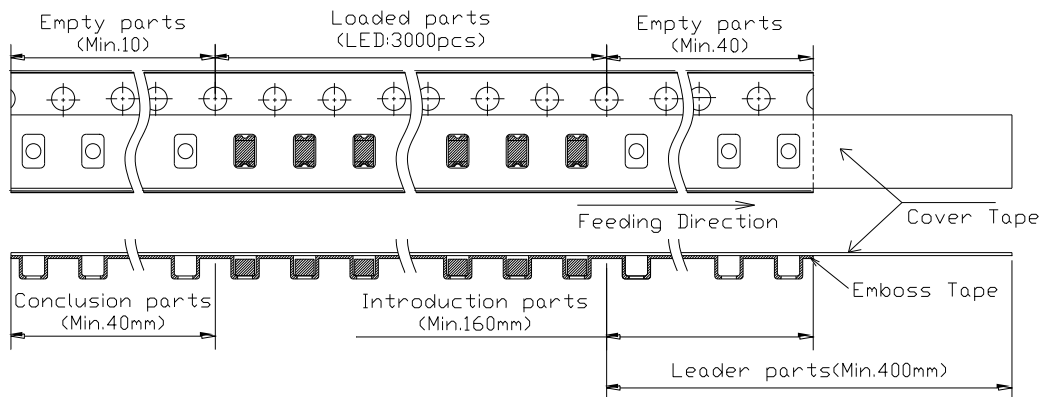
(Unit: mm)

Tape Dimension:

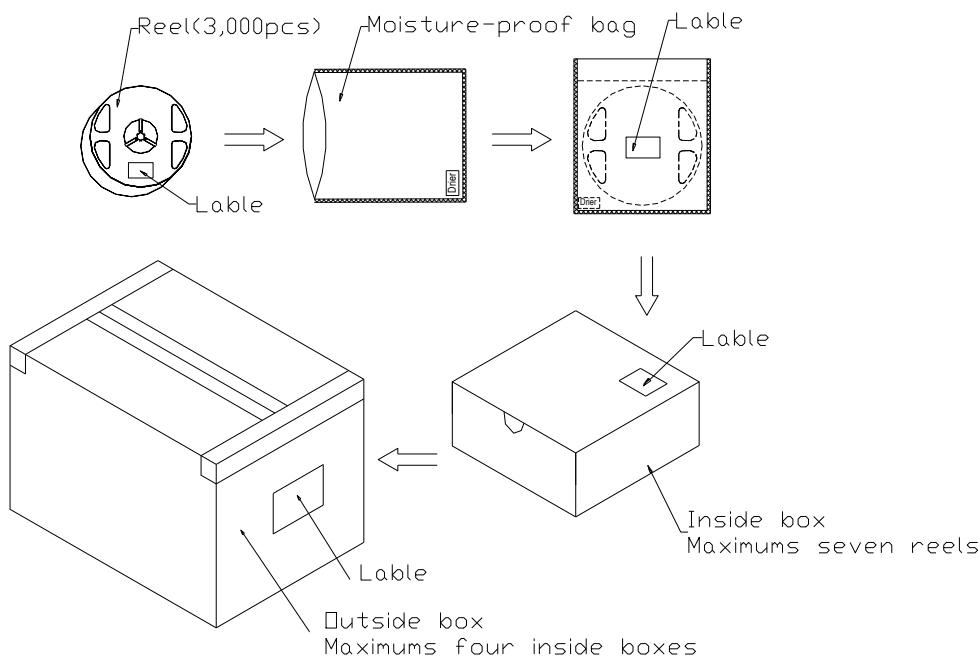


(Unit: mm)

Arrangement of Tape:



Packaging Specifications:



Labeling



Part No: _____

Customer P/N: _____

Item: _____

Q'ty: _____

Vf: _____

Iv: _____

WI: _____

Date: _____

Made in China

Product: QBLP631-YG	Date: September 16, 2014	Page 8 of 10
	Version# 1.0	



QBLP631-YG

0805 LED

Ordering Information

Part #	Orderable Part #	Spec Range	Quantity per reel
QBLP631-YG	QBLP631-YG	I _v =15mcd typ. @ I _F =20mA, λ _D =565nm to 576nm	3,000 units

Product: QBLP631-YG	Date: September 16, 2014	Page 9 of 10
	Version# 1.0	



QBLP631-YG

0805 LED

Revision History

Description:	Revision #	Revision Date
New Release of QBLP631-YG	V1.0	09/16/2014

Disclaimer

QT-BRIGHTTEK reserves the right to make changes without further notice to any products herein to improve reliability, function or design. QT-BRIGHTTEK does not assume any liability arising out of the application or use of any product or circuit described herein; neither does it convey any license under its patent rights, nor the rights of others.

Life Support Policy

QT-BRIGHTTEK's products are not authorized for use as critical components in life support devices or systems without the express written approval of QT-BRIGHTTEK. As used herein:

1. Life support devices or systems are devices or systems which, (a) are intended for surgical implant into the body, or (b) support or sustain life, and (c) whose failure to perform when properly used in accordance with instructions for use provided in the labeling, can be reasonably expected to result in a significant injury of the user.
2. A critical component in any component of a life support device or system whose failure to perform can be reasonably expected to cause the failure of the life support device or system, or to affect its safety or effectiveness.

Product: QBLP631-YG	Date: September 16, 2014	Page 10 of 10
	Version# 1.0	