

Excellent Integrated System Limited

Stocking Distributor

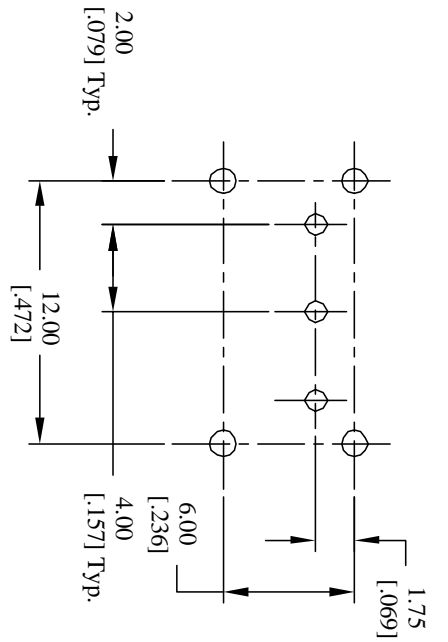
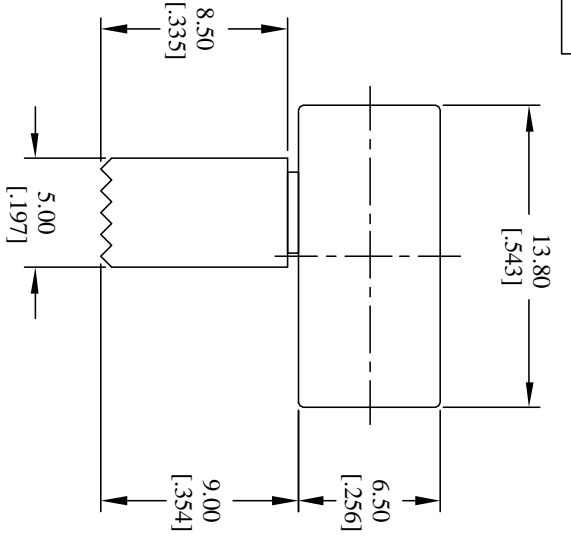
Click to view price, real time Inventory, Delivery & Lifecycle Information:

[E-Switch](#)
[EG1224](#)

For any questions, you can email us directly:

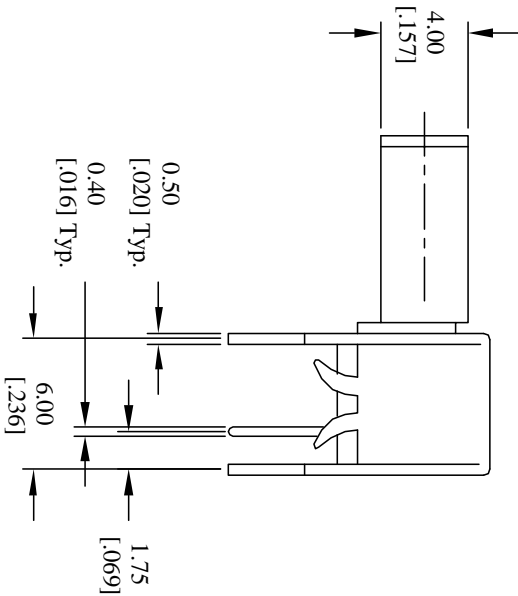
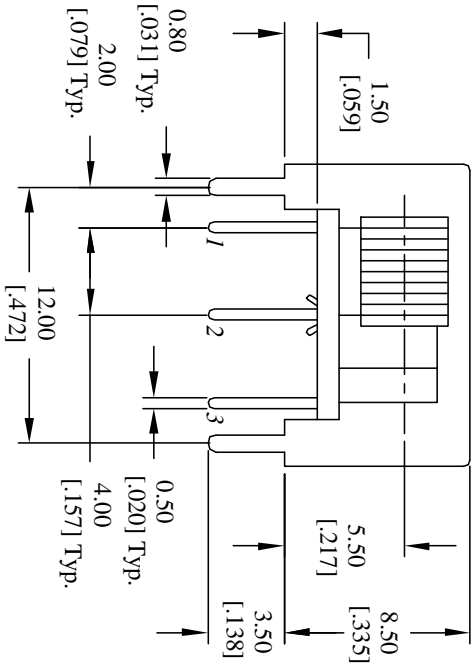
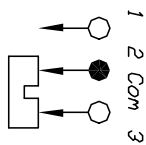
sales@integrated-circuit.com

SHEET OF



RECOMMEND P.C.B. LAYOUT

CIRCUIT: SPDT
CONTACT CONFIGURATION



NOTES:

1. ALL DIMENSIONS IN MM [INCH]
2. TERM. NOS. FOR REF. ONLY
3. RATING: 0.5A, 15V DC
4. TRAVEL: 4.0mm
5. OPERATING FORCE: 250±100gf.

REV.	A	RELEASED FOR PRODUCTION	DATE	CHKD
DESCRIPTION				
THE INFORMATION CONTAINED IN THIS DOCUMENT IS PROPRIETARY TO E-SWITCH AND IS NOT TO BE COPIED OR TRANSMITTED				

TOLERANCES	
0.0	±0.4
0.00	±0.25

TITLE	EG 1224 Non-Shorting			
SCALE	3:1	DATE	4/27/98	DR
				MM
				DWG
				P040042
REV	A			

E-SWITCH®