

Excellent Integrated System Limited

Stocking Distributor

Click to view price, real time Inventory, Delivery & Lifecycle Information:

[MEC Switches](#)
[3CTH9](#)

For any questions, you can email us directly:

sales@integrated-circuit.com

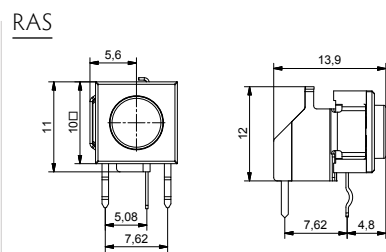
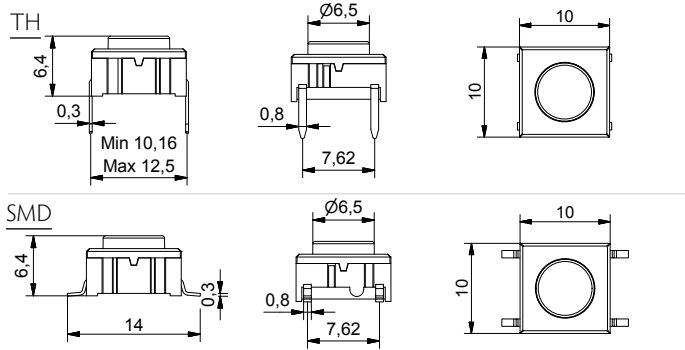


- Through-hole (TH) or surface mount (SMD)
- 50mA/24VDC
- Single pole/momentary
- 10,000,000 operations lifetime
- Temperature range:
 - High temp: -40/+160C
- IP 67 sealing
- Actuation force: 3.5N
- Most caps in the catalogue have a version for mounting on 3F switch as well. Contact MEC for further information.

All dimensions in mm

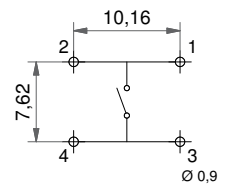
Tolerances +/-0.2mm

3C (TH, SMD & RAS)

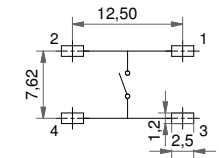


PCB LAYOUT

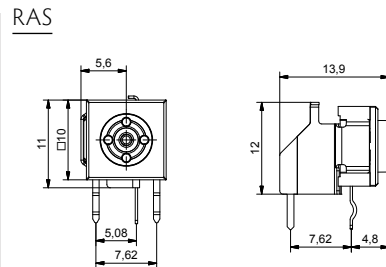
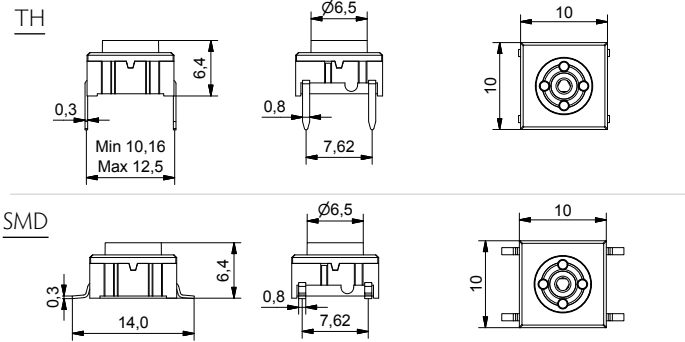
Through-hole



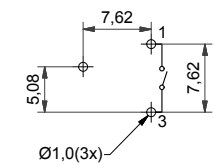
Surface mount



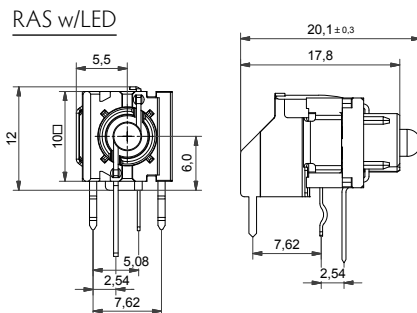
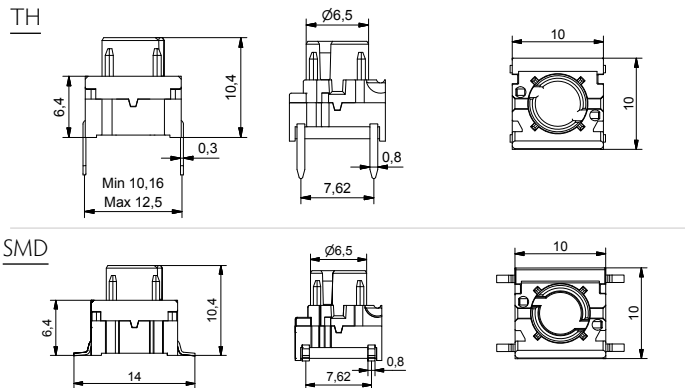
3E (TH, SMD & RAS)



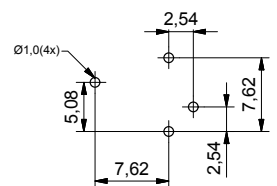
Through-hole RAS



3F (TH, SMD & RAS w/LED)



Through-hole illuminated RAS



HOW TO ORDER

Switch	Mounting	Temperature range	LED (only for 3F)	Right angle support
<input type="checkbox"/>	<input type="checkbox"/>	H 9	<input type="checkbox"/>	<input type="checkbox"/>

3C	T through-hole	H9 high temp.	00 blue	60 white	8020 red/green	RAS optional 3FTH9RAS with LED can be used with the 3 series keycaps: 1D, 1E, 1F, 1K, 1N, 1Q, 1R, 1S, 1T, 1U, 1V, 1WA, 1WD, 1WP, 1X. Ask further information on caps from MEC.
3E	S surface mount		20 green	80 red		
3F			40 yellow	2040 green/yellow	8040 red/yellow	