

Excellent Integrated System Limited

Stocking Distributor

Click to view price, real time Inventory, Delivery & Lifecycle Information:

[B&K Precision](#)
[CT3151SP-1](#)

For any questions, you can email us directly:

sales@integrated-circuit.com

THIS IS ISSUED IN STRICT CONFIDENCE THAT IT IS NOT USED AS A BASIS FOR MANUFACTURE OR SALE AND THAT IT IS NOT COPIED, REPRINTED OR DISCLOSED TO A THIRD PARTY EITHER WHOLLY OR IN PART WITHOUT THE PRIOR WRITTEN CONSENT OF CAL TEST ELECTRONICS, INC.

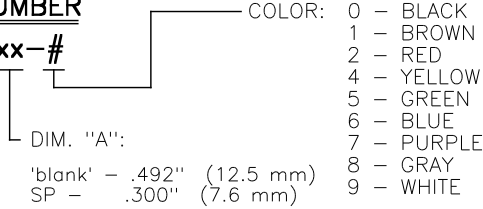
REVISIONS			
REV.	DESCRIPTIONS	DATE	APPROVED
-	CLASS A RELEASED	10/13/03	
A	Added Dim. "A" and table.	6/20/06	
B	Note 2., Added Alt. Matl. 2; Note 3., was IEC61010-031; Added notes 6 & 7.	12/20/07	
C	Note 2., Deleted Alt. 1 & 2 (PP); Note 3., was UL61010B-1; Deleted Note 6.	1/25/08	
D	Added Sheet 2 w/line drawing; Note 2., Revised insulator material was A221.	6/27/08	
E	P1, added UL notation, Note 6; P2 added concentricity notation to diagram.	5/22/09	
F	P1, Updated UL information; added note 8.	5/28/12	

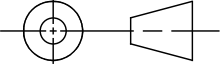
- 4mm SAFETY JACK, REAR MOUNT, HORIZONTAL PCB.
- SPECIFICATIONS:
 INSULATOR: RHODIA ENGINEERING, POLYAMIDE 66, A205F, V-2 OR BETTER, UL QMFZ2.
 CONTACT: BRASS, NICKEL PLATED, 80-160 microinches.
- RATING:
 VOLTAGE: 1000 V CAT III P2.
 CURRENT: 25 A MAX.
 RESISTANCE: <5mΩ.
 TEMPERATURE: -20° C TO +80° C.
- MOUNTING: REF. DIAGRAM.
- MAXIMUM PANEL THICKNESS: .12 (3).
- MODEL CT3151XX-#: UL RECOGNIZED COMPONENT, CCN: PICQ2, PICQ8
 FILE NUMBER: E315929.
- MODELS ARE RoHS COMPLIANT.
- STANDARDS: UL 61010-1; CAN/CSA-C22.2 NO. 61010-1.



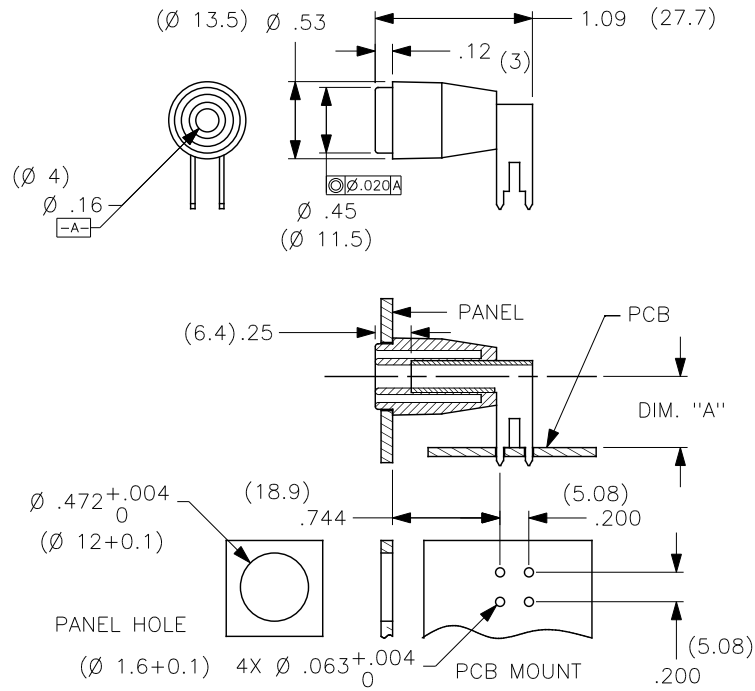
PART NUMBER

CT3151xx-#



THIRD ANGLE PROJECTION		UNLESS OTHERWISE SPECIFIED DIMENSIONS ARE IN INCHES TOLERANCES ARE: FRACTIONS DECIMALS ± 1/32 .XX ± .02 .XXX ± .005 DO NOT SCALE DRAWING		CONTRACT NO.		Cal Test Electronics 22820 Savi Ranch Parkway Yorba Linda, CA 92887-4610	
		MATERIAL		APPROVALS		TITLE	
		FINISH		DATE		4mm SAFETY JACK, HORIZONTAL PCB MOUNT	
NEXT ASSY		USED ON		DRAWN			
APPLICATION				CHECKED		CAGE CODE	
				ENGR.		DWG. NO.	
				DESIGN ACTIVITY		REV.	
						A 43F45 P315100 F	
						SCALE 1:1 P315100_rF.pdf SHEET 1 OF 2	

THIS IS ISSUED IN STRICT CONFIDENCE THAT IT IS NOT USED AS A BASIS FOR MANUFACTURE OR SALE AND THAT IT IS NOT COPIED, REPRINTED OR DISCLOSED TO A THIRD PARTY EITHER WHOLLY OR IN PART WITHOUT THE PRIOR WRITTEN CONSENT OF CAL TEST ELECTRONICS, INC.



DRAWN	WDH	6/27/08	SIZE	A	CAGE CODE	43F45	DWG. NO.	P315100	REV.	F
CHECKED			SCALE	1:1		P315100_rF.pdf	SHEET	2 OF 2		