

Excellent Integrated System Limited

Stocking Distributor

Click to view price, real time Inventory, Delivery & Lifecycle Information:

[Triad Magnetics](#)
[F-198U](#)

For any questions, you can email us directly:
sales@integrated-circuit.com



POWER TRANSFORMER Chassis Mount: Multiple Secondary

F-198U

Electrical Specifications (@25C)

1. Maximum Power: 122.0 VA
2. Primary: 115V 50/60 Hz
3. Secondary 1: 32.0VCT @ 1.00 Amps
 Secondary 2: 15.5VCT @ 6.00 Amps
4. Voltage Regulation: 5 % TYP @ full load to no load
5. Temperature Rise: 35C TYP (45C MAX allowed)

Description:

The F-198U is part of a series which has a long history of reliable service in the field, made from a proven design and constructed with UL recognized materials.

Construction:

Wound on a single channel nylon bobbin. Materials are UL recognized, Class B (130° C) rated.

Safety:

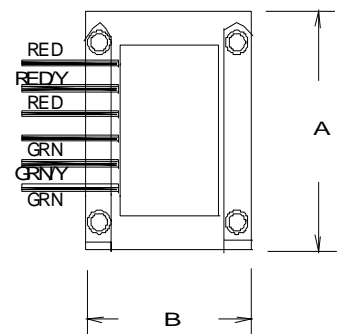
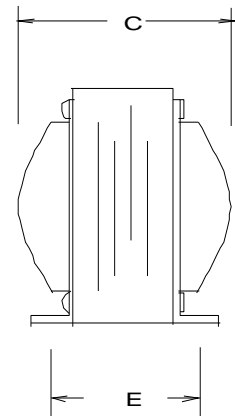
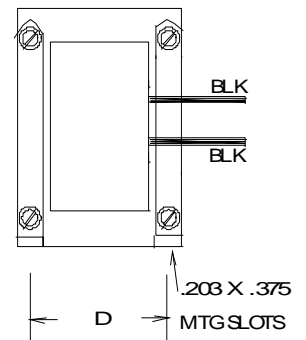
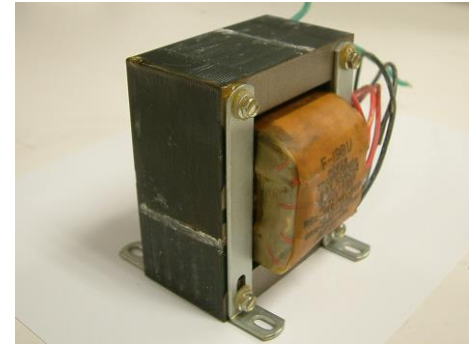
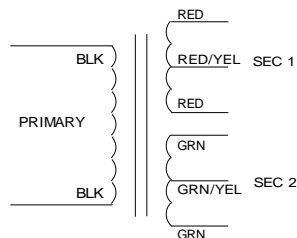
These products are 100% hipot tested with an insulation of 1500V between primary and secondary windings as well as between the primary / secondary windings and the core.

Dimensions: Units: In inches

| A | B | C | D | E |
|-------|-------|-------|------|-------|
| 3.750 | 3.125 | 3.187 | 2.50 | 2.750 |

Weight: 6.2 lbs

Schematic:



RoHS Compliance: As of manufacturing date February 2005, all standard products meet the requirements of 2011/65/EU, known as the RoHS initiative.

* Upon printing, this document is considered "uncontrolled". Please contact Triad Magnetics' website for the most current version.