

Excellent Integrated System Limited

Stocking Distributor

Click to view price, real time Inventory, Delivery & Lifecycle Information:

[Parallax, Inc.](#)
[JS1-IC](#)

For any questions, you can email us directly:

sales@integrated-circuit.com

Javelin Stamp Errata v1.3

For the Javelin Stamp Manual Version 1.0



Distributor of Parallax, Inc.: Excellent Integrated System Limited

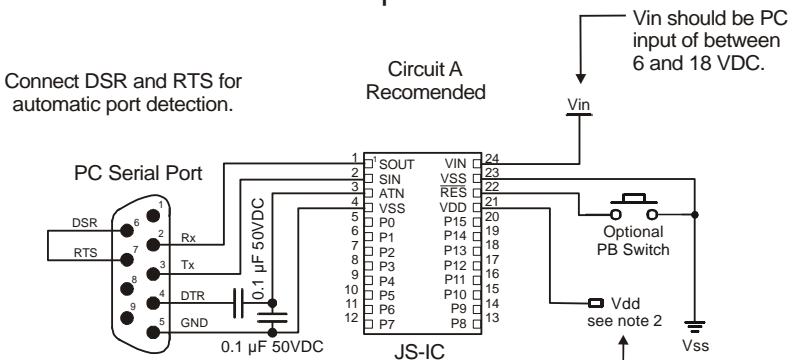
Datasheet of JS1-IC - MODULE BASIC STAMP JAVELIN

Contact us: sales@integrated-circuit.com Website: www.integrated-circuit.com

Javelin Stamp Manual v1.0 Errata v1.3

The following are known printing mistakes in the Javelin Stamp Manual v1.0, please be aware of them.

Page viii · Table of Program Listings	
Problem	Table of Program Listings is incomplete.
Explanation	Program Listing 9.7 - Timer Example is missing.
Solution	Add "Program Listing 9.7 – Timer Example" to the table.

Page 14 · Figure 2.3	
Problem	Schematic incomplete.
Explanation	Two capacitors are missing, there should be a capacitor between DTR and ATN, and a capacitor between ATN and VSS(GND). Both capacitors are 0.1µF @50 VDC.
Solution	<div style="text-align: center;"> <p>Javelin Stamp Rev A</p>  </div>

Page 15 · Bottom Paragraph	
Problem	Text Clarification
Explanation	The sentence: "If it does not appear, run the welcome application from the CD's root directory."
Solution	Should read: "If it does not appear, run the <i>Welcome application (Welcome.exe)</i> from the CD's root directory."

Javelin Stamp Manual v1.0 Errata v1.3

Page 26 · Figure 2.13(b)	
Problem	None, circuit will work as pictured.
Explanation	The breadboard in Figure 2.13(b) does not match the schematic in Figure 2.13(a).
Solution	The LED and 470 Ω resistor from Figure 2.13(b) were swapped to match the circuit shown in Figure 2.13(a).

Page 35 · Program Listing 2.6 – Math Example	
Problem	Program variables do not match actual variables in code.
Explanation	The variables, <code>temporary</code> and <code>results</code> , each have been referenced twice with capitalization as <code>Temporary</code> and <code>Results</code> .
Solution	<p>Change the following lines:</p> <pre>Temporary = temporary/10; Result = temporary*scale; Temporary /= 10; Result = (14*2+3)/10*scale;</pre> <p>To this:</p> <pre>temporary = temporary/10; result = temporary*scale; temporary /= 10; result = (14*2+3)/10*scale;</pre>

Javelin Stamp Manual v1.0 Errata v1.3

Page 47 · Program Listing 3.12 – Method Example	
Problem	Program variable does not match actual variable in code.
Explanation	The variable, <code>sigmaT</code> , was referenced with capitalization as <code>SigmaT</code> .
Solution	Change the following line: <code>sigmaT = avg(a,b,c,d,e) + 100/x;</code> To This: <code>sigmaT = avg(a,b,c,d,e) + 100/x;</code>

Page 52 · Bulleted list, 2 nd item	
Problem	Power supply is not included with the Javelin Stamp Starter Kit.
Explanation	The 2 nd line which reads “If you are using the Javelin Stamp Starter Kit, which comes with a 1000 mA supply, connect Vm to Vdd.”
Solution	Should read, “If you are using a wall mounted power supply (1000 mA recommended), connect Vm to Vdd.”

Page 91 · Table 6.2: Escape Sequences			
Problem	Misrepresented value of an escape sequence.		
Explanation	The row: <table border="1" style="display: inline-table; border-collapse: collapse;"> <tr> <td style="width: 10%; text-align: center;">\u0013</td> <td style="width: 80%; text-align: center;">Clear Screen</td> </tr> </table>	\u0013	Clear Screen
\u0013	Clear Screen		
Solution	Should be: <table border="1" style="display: inline-table; border-collapse: collapse;"> <tr> <td style="width: 10%; text-align: center;">\u0010</td> <td style="width: 80%; text-align: center;">Clear Screen</td> </tr> </table>	\u0010	Clear Screen
\u0010	Clear Screen		

Page 184 · PWM text																											
Problem	Misrepresented input value for PWM.																										
Explanation	The sentence “(or any two equal numbers from 1 to 255)”.																										
Solution	Should read: (or any two equal integers). The PWM will accept integer values from 0 to 65535. The Javelin’s int field can hold values from –32768 to 32767. To enter PWM values above 32767 use the following map: <table border="1" style="width: 100%; border-collapse: collapse; text-align: center;"> <tr> <td>PWM value:</td> <td>0</td> <td>1</td> <td>2</td> <td>...</td> <td>32767</td> <td>32768</td> <td>32769</td> <td>32770</td> <td>...</td> <td>65533</td> <td>65534</td> <td>65535</td> </tr> <tr> <td>Integer value:</td> <td>0</td> <td>1</td> <td>2</td> <td>...</td> <td>32767</td> <td>-32768</td> <td>-32767</td> <td>-32766</td> <td>...</td> <td>-3</td> <td>-2</td> <td>-1</td> </tr> </table>	PWM value:	0	1	2	...	32767	32768	32769	32770	...	65533	65534	65535	Integer value:	0	1	2	...	32767	-32768	-32767	-32766	...	-3	-2	-1
PWM value:	0	1	2	...	32767	32768	32769	32770	...	65533	65534	65535															
Integer value:	0	1	2	...	32767	-32768	-32767	-32766	...	-3	-2	-1															

Javelin Stamp Manual v1.0 Errata v1.3

Page 188 · Uart “final static boolean invert”	
Problem	Labeled incorrectly/Elaboration
Explanation	The title “final static boolean invert”
Solution	<p>Should read: final static boolean dontInvert</p> <p><i>The explanation for dontInvert has been expanded. The new explanation is as follows:</i></p> <p>final static boolean dontInvert – selects non-inverted mode. Non-inverted mode allows you to connect the Javelin Stamp to an RS232 device. To do this you will need to boost the Javelin’s TTL signal (0/5 V) to ± 12 V as required by the RS232 specifications. This can be accomplished by using a MAX232 or the SP237 Uart transceivers. Either of these transceivers will invert the TTL signal as it boosts them to ± 12 V, which is why we use the non-inverted mode. The Javelin Stamp Demo board has an SP237 that you can use by connecting the I/O pins of the Javelin Stamp to the 8-socket COM header (X4) on the Demo Board (See Chapter 4, figure 4.8b). The figure below shows you this as a 2-wire connection, without flow control.</p> <div style="text-align: center;"> </div>
Figure	Uart Not-Inverted
Important	The pins on the male/female DB-9 connectors are different. They are mirror images of each other; care is needed when making these connections that you are connecting to the appropriate pin.

Javelin Stamp Manual v1.0 Errata v1.3

Page 188 · Uart "final static boolean dontInvert"	
Problem	Labeled incorrectly/Elaboration
Explanation	The title "final static boolean dontInvert"
Solution	<p>Should read: final static boolean invert</p> <p><i>The explanation for dontInvert has been expanded. The new explanation is as follows:</i></p> <p>final static boolean invert – selects inverted mode. Inverted mode allows you to connect to a computer's RS232 port without using a MAX232 or an SP237 RS232 Uart transceiver. This can be accomplished by using a 22 kΩ resistor to connect the Javelin Stamp I/O pin (that you are using as the receiver) to pin #3 on a 9-pin serial port (DB-9). This will allow you to receive data. To send data to a PC, connect a Javelin Stamp I/O pin to pin #2 of the serial port on your computer. This method will create a voltage that is not to the Uart specifications; some receivers do not accept this nonstandard voltage. If this is your situation you will need to use a Uart transceiver in non-inverted mode. The figure below shows you this as a 2-wire connection, without flow control.</p> <p>Figure Uart Inverted</p>



Distributor of Parallax, Inc.: Excellent Integrated System Limited

Datasheet of JS1-IC - MODULE BASIC STAMP JAVELIN

Contact us: sales@integrated-circuit.com Website: www.integrated-circuit.com

Javelin Stamp Manual v1.0 Errata v1.3

Corrected Index

-- (Decrement), 92, 94, 131
 - (Subtraction), 92, 94, 132
 ! (Boolean Invert), 92, 134
 != (Not Equal to), 92, 133
 % (Modulus), 92, 132
 & (Bitwise AND), 92, 95, 134
 && (Logical AND), 92, 95
 () (Parentheses), 93, 132
 * (Multiplication), 93, 94, 132
 */ (Multi-line Remark, closing), 95
 / (Division), 94, 132
 /* (Multi-line Remark, opening), 95
 /** (JavaDoc Remark), 95
 // (Remark), 95
 ; (Semicolon), 87
 ?: (Conditional), 92, 135
 [] (Square Brackets), 93, 130-131
 ^ (Bitwise XOR), 92, 134
 { } (Curly Braces), 88-89
 | (Bitwise OR), 92, 134
 || (Logical OR), 92
 ~ (Bitwise Invert), 92, 134
 + (Addition), 92, 93, 94, 132
 ++ (Increment), 92, 94, 131
 < (Less Than), 92, 133
 << (Left-Shift), 92, 133
 <= (Less Than Equal to), 92, 133
 == (Equal to), 92
 > (Greater Than), 92, 133
 >= (Greater Than Equal to), 92, 133
 >> (Right-Shift, Signed Extension), 92, 132
 >>> (Right-Shift), 92, 132

- A -

abstract, 114
Abstraction, 109
ADC, 159-1260
Analog to Digital, 159-160
Arrays, 103-5, 193
ASCII, 41

- B -

Base
 Hexadecimal, 91
 Octal, 91
boolean, 89, 115, 149
break, 40, 96, 115
Button, 160
byte, 89, 115

- C -

Cache, 113
Calculations, 34
carry, 164
case, 97, 116
case sensitive, 32
cast, 107, 115-116, 131
catch, 111, 116, 129-130, 150
char, 41, 89, 116
Checked Exceptions, 111
class
 definition, 31
 Library, 48
Classes, 97-100, 116
 Basic Type, 107
 Clone, 105
 Constructors, 107
 DS1620, 59
 Equals, 105
 Extending. *See extends*
 hashCode, 105
 import, 113
 Integer, 109
 Member, 98
 Relationships, 140
 toString, 105
 Virtual Peripherals. *See Virtual Peripherals*
 wrapper. *See wrapper*
CLASSPATH, 86, 112
Clock, 174
COM Ports, 30

Javelin Stamp Manual v1.0 Errata v1.3

const, 136
constant, 32
Constants. *See final*
construct, 99
continue, 40, 96, 116
count, 164
Counter, 169-170
CPU, 163
 Message, 42-44

- D -

DAC, 59, 181
Debug, 78-83, 185
delay, 164, 193
Digital to Analog, 181
do, 37, 115, 116
double, 136
DS1620, 8, 59-64

- E -

Editor, 83
EEPROM, 182
else, 95, 116
Encapsulation, 138
Errors, 76-78, 110, 150
Escape Sequences, 91
Exception Handling, 110, 150
Exceptions, 146
Expressions, 91-95
extends, 105-108, 117

- F -

final, 32, 106, 117
finally, 117, 129
float, 136, 193
for, 39-40, 88, 95, 115, 117

- G -

Garbage Collection, 100, 191
getMessage, 150

Global Options, 71-72
goto, 136

- H -

Hardware, 11-14
 EEPROM, 183
Hexadecimal, 91

- I -

I/O Pins, 163, 164, 167-169, 170, 174-175
IDE, 2, 15-17, 71-86
 Call Stack, 80
 CLASSPATH, 84
 Compile, 76
 Debug, 27-28, 76
 Step Into, 81
 Editor, 83
 Installation, 15-17
 Link, 76
 Memory Usage, 80
 Menubars, 83
 Packages, 84-85
 Program, 76
 Projects, 85-86
 Resume Debug, 76
 Starting a Project, 72-76
 Toolbars, 83
if, 35-37, 88-89, 95, 119
implements, 136
import, 113, 120
Inheritance, 105
Inputs, 156, 160-163
installVP, 164
instanceof, 135
int, 89, 121, 192
interface, 136

- J -

Java Differences, 87, 193-197
 break, 96

Javelin Stamp Manual v1.0 Errata v1.3

Java Differences (continued)

- const, 136
- continue, 96
- double, 136
- Floating Point, 193
- for, 95
- Garbage Collection, 191
- goto, 136
- if, 95
- implements, 136
- int, 192
- interface, 136
- long, 136
- Loops, 192
- native, 136
- objects, 192
- static, 191
- StringBuffer, 191, 192
- Strings, 104, 192
- synchronized, 136
- Threads, 191
- transient, 136
- Unicode, 193
- volatile, 136
- while, 97

Javelin Stamp

- Architecture, 3–4
- Demo Board, 7
- Hardware, 1, 4, 5
- Heavy Loads, 57
- I/O pins, 12–14
- Power Supply, 13–14
- Starter Kit, 5

- K -

Keywords, 114–130

- L -

Libraries, 193

Library Class, 48

Lists, 157-158

long, 136

Loops, 37–40

- break, 40
- continue, 40
- do, 37
- for, 39–40, 88, 95
- while, 37–40, 88

- M -

Math, 151, 164

message, 42–44, 166

Methods, 99

- Constructors, 99
- equals, 99
- Returning a Value, 99
- void, 99

- N -

nap, 166, 172, 173

native, 136

new, 100, 121

null, 121

- O -

Object Oriented, 140, 147

Objects, 98-100, 137-138, 151

- Arrays, 103–5
- casting. *See cast*
- keywords. *See the key word*
- new, 100
- Pointers, 101-102
- Strings, 104–5
 - substring, 105
- this, 102
- Timer, 146
- UART(s), 137, 146

Octal, 91

Online Resources, 114

Javelin Stamp Manual v1.0 Errata v1.3

Operators

Basic Java Operators, 92
Order of Operations, 93

Order of Operations, 93
override, 106

- P -

Packages, 84–85, 112, 122-123
CLASSPATH. See CLASSPATH

Pointers, 101–2

Polymorphism, 106, 139

print, 41–42, 155-156

println, 41–42, 155-156

PrintStream, 155-156

private, 106, 123

protected, 106, 123

public, 106, 123

pulseIn, 167

pulseOut, 168

PWM, 58, 146, 184-185

- R -

Random, 156

RC circuit, 170

RC timing, 170

rcTime, 169-171

readPin, 171-173

readPort, 172

removeVP, 173

return, 99, 124

- S -

Serial Port, 30

setInput, 174

shiftIn, 174

short, 89, 125

static, 33, 125

StringBuffer, 42, 100, 104, 154, 192

Strings, 104–5, 152, 192

StringBuffer. See StringBuffer

Strings (continued)

substring, 105

super, 106-108, 126

switch, 97, 115, 127

synchronized, 136

System.out

print, 41–42, 154-156

println, 41–42, 154-156

- T -

Template, 72–76

Terminal, 185

this, 127

Threads, 191

throw(s), 111, 128, 150

throwIt, 152

Timer, 146, 187

toString, 109

transient, 136

try, 110-111, 128-130, 150

Type, 131

Garbage Collection, 191

int, 192

- U -

UART(s), 64, 146, 188

Unicode, 202

URL's, 114

- V -

Variables, 32–34

boolean, 89

byte, 89

Calculations, 34

char, 89

Declaration, 89-91

final, 32, 90-91

int, 89

short, 89

static, 80

Javelin Stamp Manual v1.0 Errata v1.3

Variables *(continued)*

static final, 91

Virtual Peripherals, xiv, 3, 145, 163, 164, 173, 184

ADC, 159

Background, 3

DAC, 59

Foreground, 3

PWM, 58, 146, 184-185

Virtual Peripherals

Timer, 187

UART(s), 64, 188
void, 99, 130
volatile, 136

- W -

while, 37–40, 88, 97, 115, 130

wrapper, 109