



Excellent Integrated System Limited

Stocking Distributor

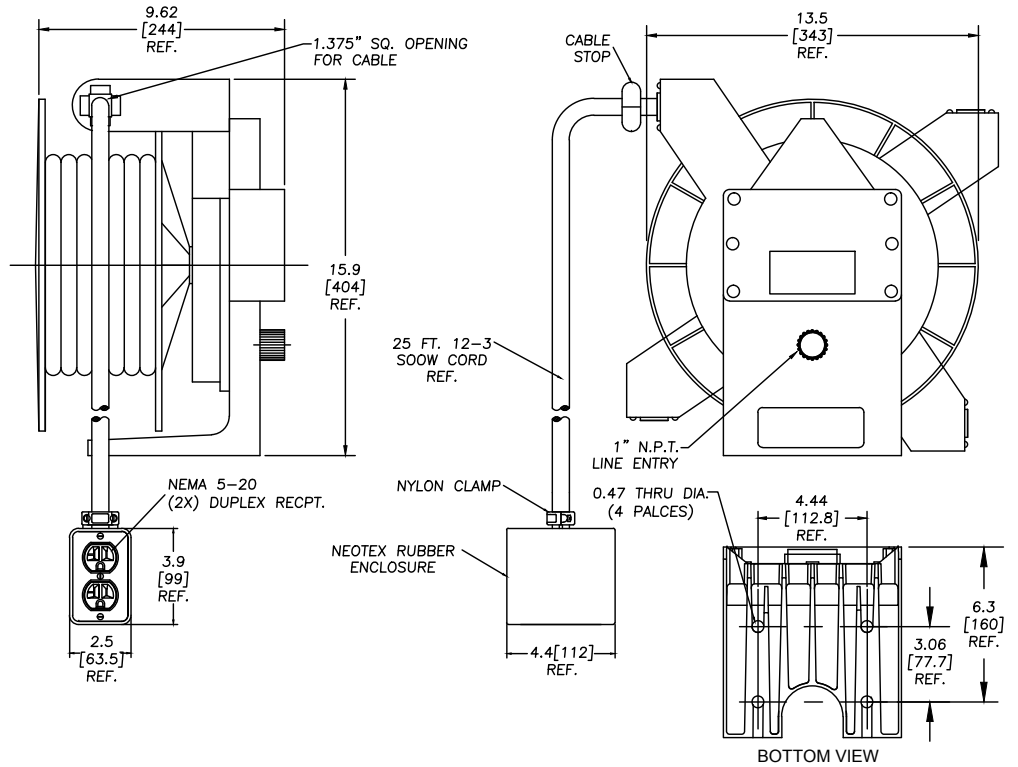
Click to view price, real time Inventory, Delivery & Lifecycle Information:

[Molex Connector Corporation](#)
[130083-0271](#)

For any questions, you can email us directly:

sales@integrated-circuit.com

ORDER NO.	130083-0271
WOODHEAD ENG. NO.	9383-3080
WIRE GAUGE	12
CONDUCTORS	3
AMPERAGE	18A
CORD LENGTH	25 FT [7.62 M]
CORD TYPE	SOOW
CONSTRUCTION	HEAVY WALL CAST ALUMINUM
PAINT	YELLOW POWDER COAT
REEL ENCLOSURE RATING	NEMA 4 INDOOR / OUTDOOR
RETRACTION WEIGHT	4.0 LB [1.8 KG]



NOTES:

1. CABLE GUIDE IS ADJUSTABLE EVERY 5 DEGREES OVER 270 DEGREE ARC.
2. RATCHET LOCK IS EASY TO DISENGAGE FOR CONSTANT TENSION.
3. REEL CANNOT BE "LOCKED OUT" AT FULL TENSION.
4. REEL IS TRUCK MOUNTABLE.
5. BALL STOP IS INCLUDED

RELEASE DRAWING EC NO: WNA2012-0035 DRWN: MCHOJECK 2011/07/18 CHKD: DT APPR: DTITUS 2011/09/02 DESCRIPTION 2011/09/02	QUALITY SYMBOLS ▽=0 ∇=0	GENERAL TOLERANCES (UNLESS SPECIFIED)		DIMENSION STYLE	SCALE	DESIGN UNITS	THIRD ANGLE PROJECTION		
			mm	INCH	IN/MM	NTS	INCH		
		4 PLACES	±---	±---	MCHOJECK	2011/07/18	TITLE		
		3 PLACES	±---	±.005	DT	2011/07/18	9383 CORD REEL W/3080 BOX 25'12-3(2)5-20		
2 PLACES	±0.13	±.010	APPROVED BY	DATE	MOLEX INCORPORATED				
1 PLACE	±0.25	±.020	DTITUS	2011/09/02	MATERIAL NO. 1300830271				
DRAFT WHERE APPLICABLE MUST REMAIN WITHIN DIMENSIONS		ANGULAR ±1/2°		DOCUMENT NO. SD-130083-037		SHEET NO. 1 OF 1			
				THIS DRAWING CONTAINS INFORMATION THAT IS PROPRIETARY TO MOLEX INCORPORATED AND SHOULD NOT BE USED WITHOUT WRITTEN PERMISSION					