

Excellent Integrated System Limited

Stocking Distributor

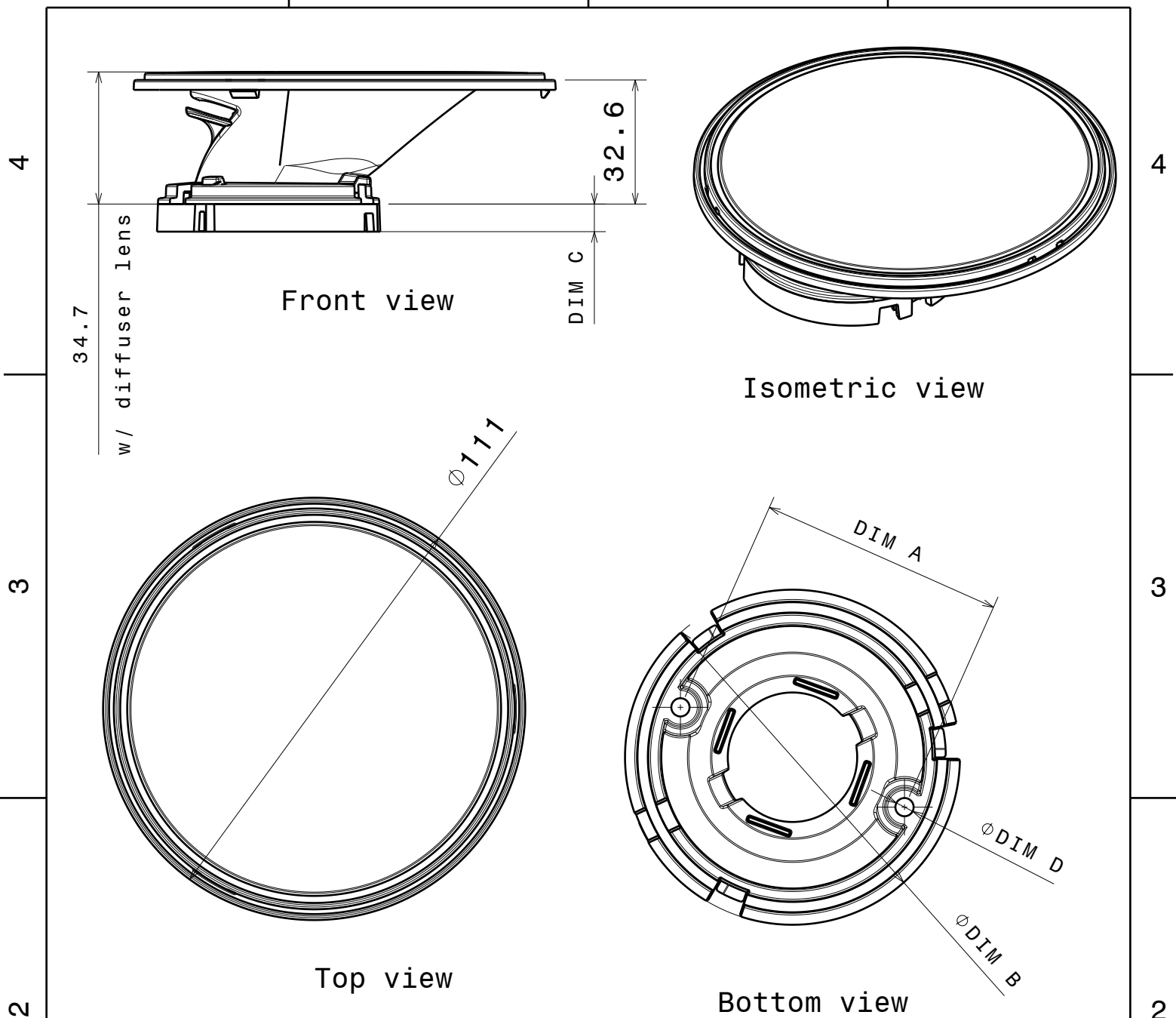
Click to view price, real time Inventory, Delivery & Lifecycle Information:

[Ledil](#)

[C13186_LENA-STD-BASE-CXA15](#)

For any questions, you can email us directly:

sales@integrated-circuit.com

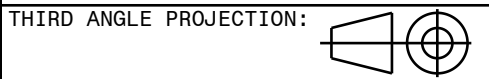


Base Part	DIM A	DIM B	DIM C	DIM D
C13186_LENA-STD-BASE-CXA15	43 mm	58,7 mm	7 mm	3,2 mm
C12924_LENA-STD-BASE-LUXEON-K	43 mm	58,2 mm	6,5 mm	3,2 mm
C13324_LENA-STD-BASE-CXA25	43 mm	58,7 mm	7,3 mm	3,2 mm
C12692_LENA-STD-BASE-CLL040	41,3 mm	58,6 mm	7,3 mm	3,2 mm
C12691_LENA-STD-BASE-CLL030	43 mm	58,6 mm	5,4 mm	3,2 mm
C11995_LENA-STD-BASE-CL340	43 mm	58,6 mm	6 mm	3 mm
C12153_LENA-STD-BASE-BXRA	43 mm	58,6 mm	6,3 mm	2,99 mm

Tolerances if not otherwise shown
 According to DIN ISO 2768-1
 Linear measures:
 Up to 30mm class M, otherwise class C.
 According to DIN ISO 2768-2
 Form and position: class L



Ledil Oy
 Salorankatu 10
 FIN 24240 SALO
 Finland



DRAWING TITLE
LENA-X-WAS Datasheet

This drawing is the property of LEDiL Oy. It may not be reproduced, copied or communicated without a written agreement with LEDiL Oy.

SIZE PART NUMBER
A4