

Excellent Integrated System Limited

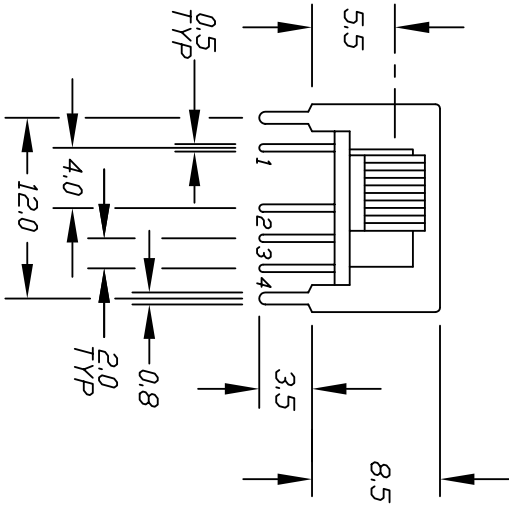
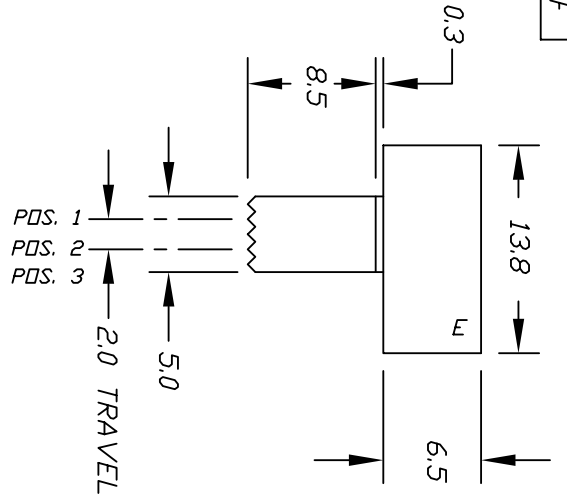
Stocking Distributor

Click to view price, real time Inventory, Delivery & Lifecycle Information:

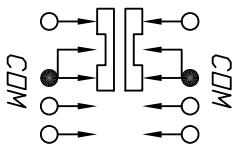
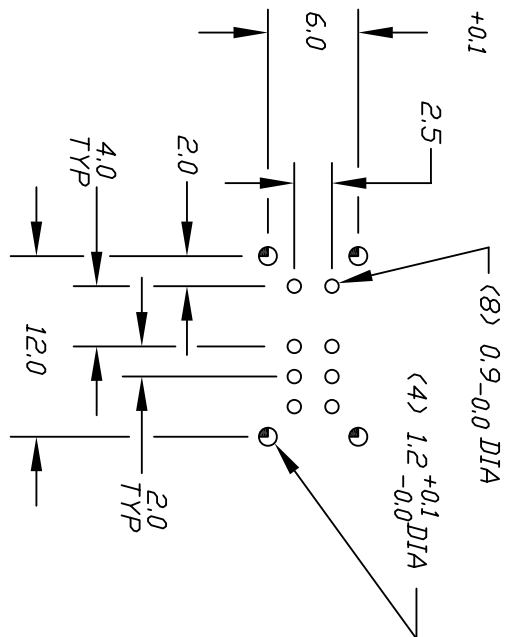
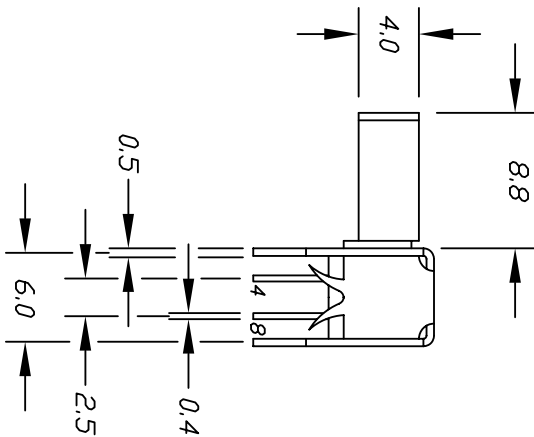
[E-Switch](#)
[EG2319](#)

For any questions, you can email us directly:

sales@integrated-circuit.com



- NOTES:
1. ALL DIMENSIONS IN MM
 2. TERM. NOS. FOR REF ONLY
 3. TIMING: NON-SPECIFIED
 4. 2002/95/EC (ROHS) COMPLIANT



CONTACT CONFIGURATION

SWITCH FUNCTION			
POS. 1	POS. 2	POS. 3	
2-1	2-3	2-4	
6-5	6-7	6-8	

C	ADD TIMING NOTE	1/20/09	BLR
B	REVISE & REDRAWN		
REV.	DESCRIPTION	DATE	CHKD

TOLERANCES	
0.0	±0.4
0.00	±0.25

SCALE	DATE	DR	DWG	REV
2:1	1/20/09	BLR	P0402250	C
TITLE		EG 2319		

THE INFORMATION CONTAINED IN THIS DOCUMENT IS PROPRIETARY TO E-SWITCH AND IS NOT TO BE COPIED OR TRANSFERRED