

Excellent Integrated System Limited

Stocking Distributor

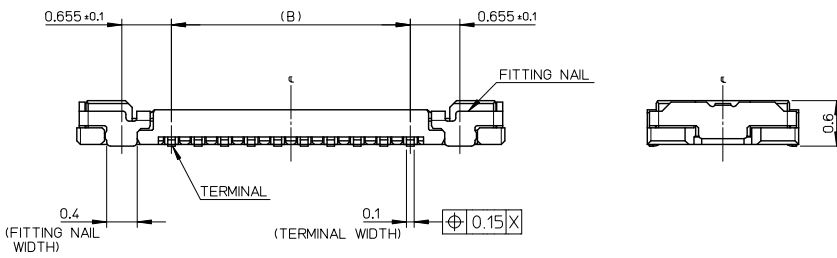
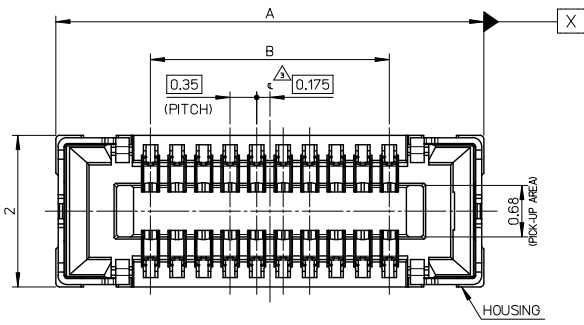
Click to view price, real time Inventory, Delivery & Lifecycle Information:

[Molex Connector Corporation](#)
[5046183010](#)

For any questions, you can email us directly:

sales@integrated-circuit.com

10 9 8 7 6 5 4 3 2 1



- NOTES
- MATERIAL
HOUSING : LIQUID CRYSTAL POLYMER UL94V-0(COLOR : BLACK)
TERMINAL : COPPER ALLOY
FITTING NAIL : COPPER ALLOY
 - PLATING
TERMINAL
GOLD
UNDER PLATING : NICKEL
*DIVIDE INTO PARTS THE GOLD PLATING OF THE CONTACT AND THE TAIL PART BY THE NICKEL PLATING.
FITTING NAIL
GOLD
UNDER PLATING : NICKEL
 - APPLY FOR (CIRCUIT/2)-EVEN.
 - MATE WITH : 504622-***10
 - TAIL AND FITTING NAIL COPLANARITY TO BE 0.08MAXIMUM.
 - PROHIBITED AREA OF PATTERN WIRING AND SOLDER.
(FOR EACH AREA, THE WIRING THAT TOUCHES ON THE SOLDER CAN BE ATTACHED, THEN COVERED WITH A FILM TO KEEP SOLDER OUT.)
 - ELV and RoHS COMPLIANT.
 - ELECTRIC SPEC OF FITTING NAIL IS NOT GUARANTEED WHEN MATED.

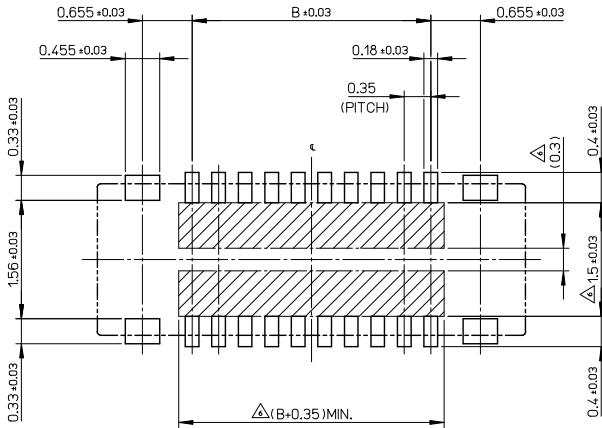
11.90	14.40	504618-7010	0	---	70
10.85	13.35	504618-6410	0	---	64
10.15	12.65	504618-6010	---	---	60
9.8	12.30	504618-5810	---	---	58
9.10	11.60	504618-5410	---	---	54
8.40	10.90	504618-5010	0	---	50
8.05	10.55	504618-4810	---	---	48
7.00	9.50	504618-4210	---	---	42
6.65	9.15	504618-4010	0	---	40
6.30	8.80	504618-3810	---	---	38
5.60	8.10	504618-3410	0	---	34
4.90	7.40	504618-3010	0	---	30
3.85	6.35	504618-2410	0	---	24
3.15	5.65	504618-2010	0	---	20
2.80	5.30	504618-1810	---	---	18
2.45	4.95	504618-1610	---	---	16
1.75	4.25	504618-1210	---	---	12
1.40	3.90	504618-1010	0	---	10
0.70	3.20	504618-0610	---	---	6
B	A	EMBOSSED TAPE PACKAGE	HIGH VOL. TOOL	LOW VOL. TOOL	CIRCUIT
		ORDER NO.	SAMPLE PREPARATION O : TOOLED Δ : WORK IN PROCESS --- : TOOLING TO BE CONFIRMED		

CONNECTOR SERIES No. : 504618-***09

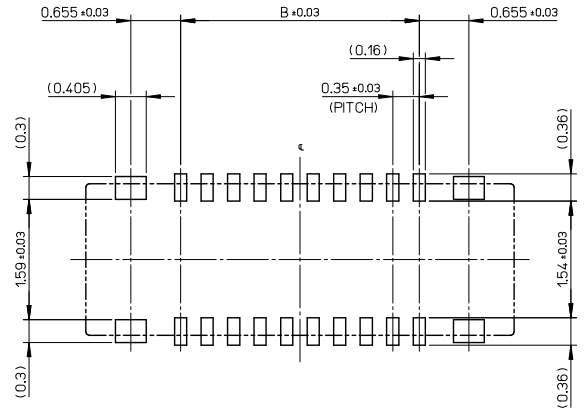
REVISED IEC NO. J2015-0816 TIDRAN YOSHIDA 2014/12/16 CHIKDARTAKEUCHI 2014/12/16 APPR:KMORIKAWA 2014/12/17 REV DESCRIPTION	GENERAL TOLERANCES (UNLESS SPECIFIED)		DIMENSION STYLE MM ONLY	SCALE 20:1	DESIGN UNITS METRIC	THIRD ANGLE PROJECTION
	10 UNDER	± 0.2	DRAWN BY HONO01	DATE 2014/02/24	TITLE 0.35 BB CONN. H=0.6 SSB6 REC. ASSY	
	10 OVER 30 UNDER	± 0.25	CHECKED BY RTAKEUCHI	DATE 2014/02/24		
	30 OVER	± 0.3	APPROVED BY KMORIKAWA	DATE 2014/04/17	DOCUMENT NO. SD-504618-001	
ANGULAR ±1 °		DRAFT WHERE APPLICABLE MUST REMAIN WITHIN DIMENSIONS		MATERIAL NO. SEE CHART	SHEET NO. 1 OF 2	THIS DRAWING CONTAINS INFORMATION THAT IS PROPRIETARY TO MOLEX INCORPORATED AND SHOULD NOT BE USED WITHOUT WRITTEN PERMISSION

10 9 8 7 6 5 4 3 2 1

10 9 8 7 6 5 4 3 2 1

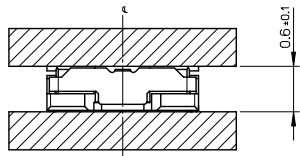


RECOMMENDED P.W.BOARD PATTERN LAYOUT(REFERENCE)



RECOMMENDED METAL MASK LAYOUT(REFERENCE)

RECOMMENDED THICKNESS OF METAL MASK : t=0.08mm
RECOMMENDED OPEN APERTURE RATIO OF METAL MASK : 80%

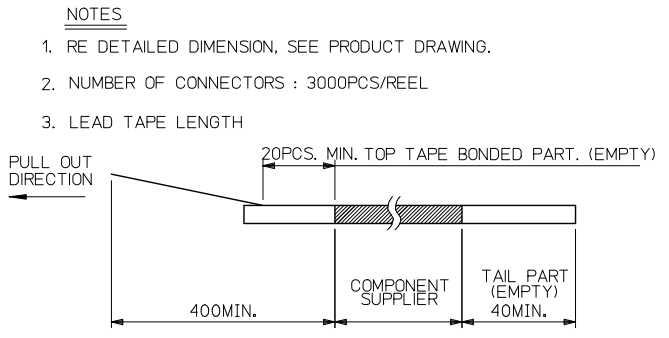
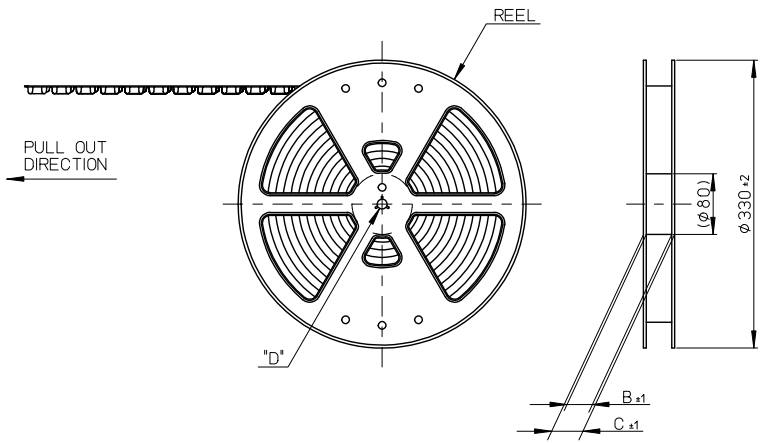


MATED CONDITION

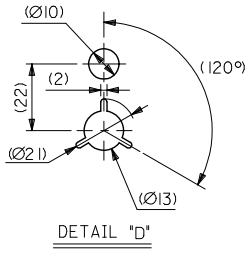
REVISED EC NO. J2015-0816 DRAWN BY YOSHIDA 2014/12/16 CHECKED BY CHIKDRTAKEUCHI 2014/12/16 APPROVED BY KMORIKAWA 2014/12/17	GENERAL TOLERANCES (UNLESS SPECIFIED)		DIMENSION STYLE MM ONLY	SCALE 20:1	DESIGN UNITS METRIC	THIRD ANGLE PROJECTION
	10 UNDER	± 0.2	DRAWN BY HON001	DATE 2014/02/24	TITLE 0.35 BB CONN. H=0.6 SSB6 REC. ASSY	
	10 OVER 30 UNDER	± 0.25	CHECKED BY RTAKEUCHI	DATE 2014/02/24		
	30 OVER	± 0.3	APPROVED BY KMORIKAWA	DATE 2014/04/17		
ANGULAR	± 1 °	DRAFT WHERE APPLICABLE MUST REMAIN WITHIN DIMENSIONS		MATERIAL NO.	DOCUMENT NO.	SHEET NO.
		SEE SHEET 1		SD-504618-001		2 OF 2
THIS DRAWING CONTAINS INFORMATION THAT IS PROPRIETARY TO MOLEX INCORPORATED AND SHOULD NOT BE USED WITHOUT WRITTEN PERMISSION						

9 8 7 6 5 4 3 2 1

10 9 8 7 6 5 4 3 2 1



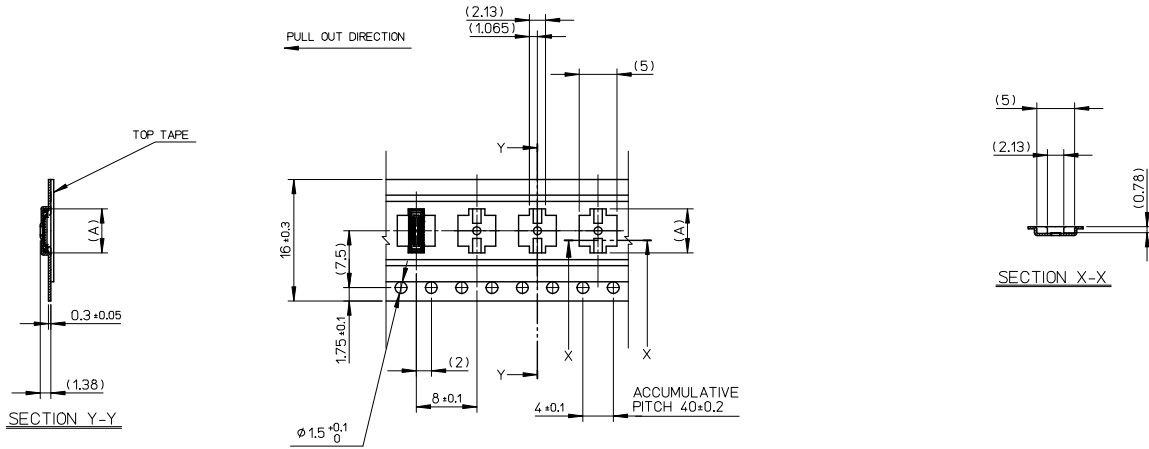
- NOTES**
- RE DETAILED DIMENSION, SEE PRODUCT DRAWING.
 - NUMBER OF CONNECTORS : 3000PCS/REEL
 - LEAD TAPE LENGTH
 - TOP TAPE PEEL FORCE IS DEFINED BY IEC60286-3.
 - MATERIAL
CARRIER TAPE : POLYSTYRENE
TOP TAPE : PET , OTHER
REEL : POLYSTYRENE (PS) <RECYCLE MATERIAL CONTAINED>
 - ELV AND RoHS COMPLIANT



REVISED IEC NO. J2015-0816 DRAWN BY: 2014/12/16 CHKD: RTAKEUCHI 2014/12/16 APPR: KMORIKAWA 2014/12/17	GENERAL TOLERANCES (UNLESS SPECIFIED)		DIMENSION STYLE MM ONLY	SCALE 1:5	MODEL NO. 504618-**-10	DESIGN UNITS METRIC	THIRD ANGLE PROJECTION
	10 UNDER	± 0.2	DRAWN BY HONO01	DATE 2014/02/24	TITLE 0.35 BB CONN. H=0.6 SSB6 REC. ASSY EMBSTP PKG		
	10 OVER 30 UNDER	± 0.25	CHECKED BY RTAKEUCHI	DATE 2014/02/24			
	30 OVER	± 0.3	APPROVED BY KMORIKAWA	DATE 2014/04/17			
ANGULAR	$\pm 1^\circ$	MATERIAL NO. SEE CHART		DOCUMENT NO. SD-504618-002	SHEET NO. 1 OF 3		
DRAFT WHERE APPLICABLE MUST REMAIN WITHIN DIMENSIONS		THIS DRAWING CONTAINS INFORMATION THAT IS PROPRIETARY TO MOLEX INCORPORATED AND SHOULD NOT BE USED WITHOUT WRITTEN PERMISSION					

9 8 7 6 5 4 3 2 1

10 9 8 7 6 5 4 3 2 1

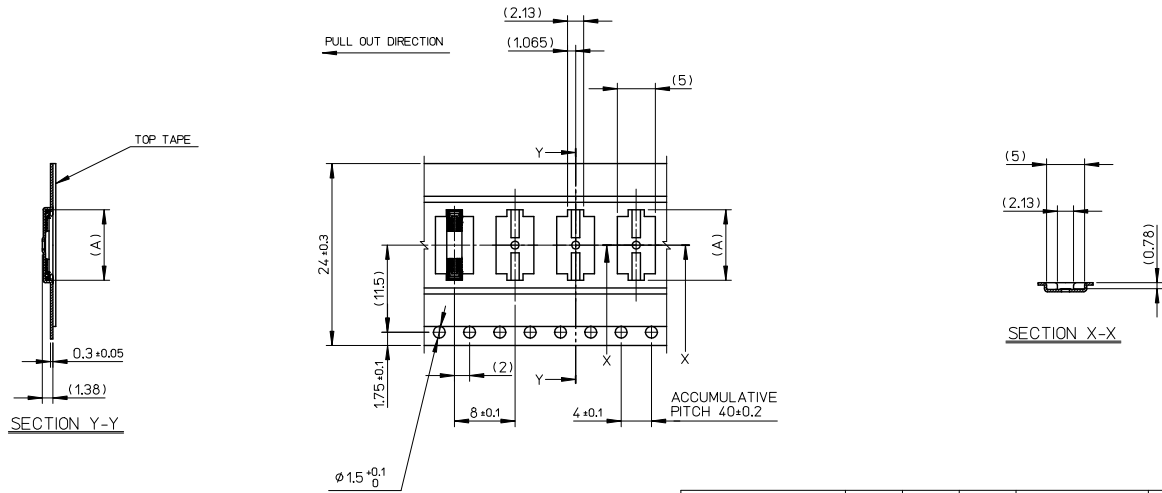


16	21.4	17.4	7.54	504618-3010	o	---	30		
			6.49	504618-2410	o	---	24		
			5.79	504618-2010	o	---	20		
			5.44	504618-1810	---	---	18		
			5.09	504618-1610	---	---	16		
			4.39	504618-1210	---	---	12		
			4.04	504618-1010	o	---	10		
3.34	504618-0610	---	---	6					
キャリアテープ幅 CARRIER TAPE WIDTH			C	B	(A)	EMBOSSED TAPE PACKAGE	HIGH VOL. TOOL	LOW VOL. TOOL	CIRCUIT
			ORDER NO.	SAMPLE PREPARATION o : TOOLED A : WORK IN PROCESS --- : TOOLING TO BE CONFIRMED					

REVISED EC NO. J2015-0816 DRAWN BY: DR. W. YOSHIDA 2014/12/16 CHECKED BY: CHIKU TAKEUCHI 2014/12/16 APPROVED BY: KMORIKAWA 2014/12/17	GENERAL TOLERANCES (UNLESS SPECIFIED)		DIMENSION STYLE	SCALE	DESIGN UNITS	THIRD ANGLE PROJECTION	
			MM ONLY	2:1	METRIC		
	10 UNDER	±0.2	DRAWN BY	DATE	TITLE		
	10 OVER	±0.25	HON001	2014/02/24	0.35 BB CONN. H=0.6 SSB6 REC. ASSY EMBSTP PKG		
30 OVER	±0.3	CHECKED BY	DATE	molex			
30 UNDER		RTAKEUCHI	2014/02/24				
ANGULAR	±1°	APPROVED BY	DATE	DOCUMENT NO.	SHEET NO.		
DRAFT WHERE APPLICABLE MUST REMAIN WITHIN DIMENSIONS		KNORIKAWA	2014/04/17	SD-504618-002	2 OF 3		
		MATERIAL NO.	SEE CHART	THIS DRAWING CONTAINS INFORMATION THAT IS PROPRIETARY TO MOLEX INCORPORATED AND SHOULD NOT BE USED WITHOUT WRITTEN PERMISSION			

10 9 8 7 6 5 4 3 2 1

10 9 8 7 6 5 4 3 2 1



24	29.4	25.4	14.54	504618-7010	o	---	70		
			13.49	504618-6410	o	---	64		
			12.79	504618-6010	---	---	60		
			12.44	504618-5810	---	---	58		
			11.74	504618-5410	---	---	54		
			11.04	504618-5010	o	---	50		
			10.69	504618-4810	---	---	48		
			9.46	504618-4210	---	---	42		
			9.29	504618-4010	o	---	40		
			8.94	504618-3810	---	---	38		
8.24	504618-3410	o	---	34					
キャリアテープ幅 CARRIER TAPE WIDTH			C	B	(A)	EMBOSSED TAPE PACKAGE TOOL	HIGH VOL. TOOL	LOW VOL. TOOL	CIRCUIT
			ORDER NO.	SAMPLE PREPARATION o : TOOLED A : WORK IN PROCESS --- : TOOLING TO BE CONFIRMED					

REVISED EC NO. J2015-0816 DRAWN BY YOSHIDA 2014/12/16 CHECKED BY TAKEUCHI 2014/12/16 APPROVED BY MORIKAWA 2014/12/17	GENERAL TOLERANCES (UNLESS SPECIFIED)		DIMENSION STYLE MM ONLY		SCALE 2:1	DESIGN UNITS METRIC	THIRD ANGLE PROJECTION
	10 UNDER	±0.2	DRAWN BY HON001	DATE 2014/02/24	TITLE 0.35 BB CONN. H=0.6 SSB6 REC. ASSY EMBSTP PKG		
	10 OVER	±0.25	CHECKED BY RTAKEUCHI	DATE 2014/02/24			
	30 OVER	±0.3	APPROVED BY KMORIKAWA	DATE 2014/04/17			
ANGULAR	±1°	MATERIAL NO.		DOCUMENT NO.	SHEET NO. 3 OF 3		
DRAFT WHERE APPLICABLE MUST REMAIN WITHIN DIMENSIONS		SEE CHART		SD-504618-002			
THIS DRAWING CONTAINS INFORMATION THAT IS PROPRIETARY TO MOLEX INCORPORATED AND SHOULD NOT BE USED WITHOUT WRITTEN PERMISSION							

9 8 7 6 5 4 3 2 1