

## Excellent Integrated System Limited

Stocking Distributor

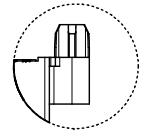
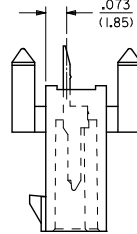
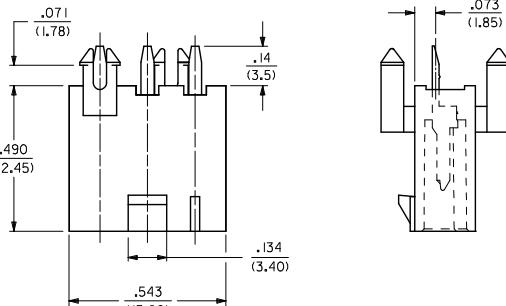
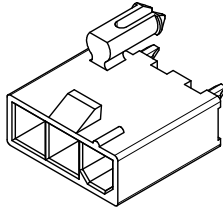
Click to view price, real time Inventory, Delivery & Lifecycle Information:

[Molex Connector Corporation](#)  
[0039305037](#)

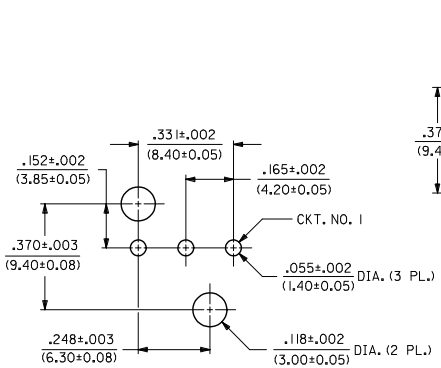
For any questions, you can email us directly:

[sales@integrated-circuit.com](mailto:sales@integrated-circuit.com)

- NOTES:
- MATERIALS:  
HOUSING:  
\*BLANK\*=NYLON 6/6, UNFILLED UL94 V-2, COLOR: NATURAL  
\*130\*=GLASS FILLED LCP, UL94 V-0, COLOR: NATURAL  
\*210\*=NYLON 6/6, UNFILLED UL94 V-0, COLOR: NATURAL  
\*400\*=NYLON 6/6, UNFILLED UL94 V-0, COLOR: BLACK  
TERMINALS:  
BRASS  
2. TERMINAL PLATING:  
\*BLANK\*=.000035/(0.00090) MIN. BRIGHT TIN OVER  
.000020/(0.00050) MIN. COPPER  
GS2=.00015/(0.00038) MIN. SELECT GOLD AND  
.000100/(0.00254) MIN. SELECT MATTE TIN  
OVER .000050/(0.00127) MIN. NICKEL OVERALL  
GS=.000030/(0.00076) MIN. SELECT GOLD AND  
.000100/(0.00254) MIN. SELECT MATTE TIN  
OVER .000050/(0.00127) MIN. NICKEL OVERALL  
S=.000100/(0.00254) MIN. BRIGHT TIN OVER  
.000050/(0.00127) MIN. NICKEL  
MS=.000100/(0.00254) MIN. MATTE TIN OVER  
.000050/(0.00127) MIN. NICKEL  
3. PRODUCT SPECIFICATION: PS-5556-001  
4. PACKAGING: TRAY PACKED PER PK-5566-002  
5. PART MATES WITH MINI-FIT JR. RECEPTACLE NO. 5557.  
6. ALL DIMENSIONS ARE REFERENCE UNLESS OTHERWISE  
SPECIFIED.  
7. PART IS NOT DESIGNED FOR CURRENT SHARING.  
8. PARTS ARE NOT TO BE MATED OR UN-MATED WHILE  
CIRCUITS ARE LIVE.  
9. PART CONFORMS TO CLASS "B" REQUIREMENTS OF  
COSMETIC SPECIFICATION PS-45499-002.



PRESS FIT PEG OPTION



RECOMMENDED HOLE LAYOUT FOR  
.070/(1.78) MAX. THICK P. C. BOARD

PART NO.	ENG. NO.	HOUSING MAT'L. (SEE NOTE 1)	PLATING (SEE NOTE 2)
39-30-1039	5566-03A3	*BLANK*	*BLANK*
39-30-2033	-03A3GS2	↑	GS2
39-30-2031	-03A3GS	↑	GS
39-30-5037	-03A3S	↑	S
46999-0792	-03A3MS	*BLANK*	MS
46999-0680	-03A15GS-130	130	GS
46999-0685	-03A15MS-130	130	MS
39-30-2030	-03A3-210	210	*BLANK*
39-30-2034	-03A3GS2-210	↑	GS2
39-30-2032	-03A3GS-210	↑	GS
39-30-5038	-03A3S-210	↑	S
46999-0793	-03A3MS-210	210	MS
46999-0563	5566-03A3MS-400	400	MS

LEGEND

5566-03A3\*-\*\*\*

BASE NO. \_\_\_\_\_

CIRCUIT SIZE \_\_\_\_\_

MOUNTING \_\_\_\_\_  
3 = SNAP FIT PEGS  
15 = PRESS FIT PEGS

PLATING \_\_\_\_\_  
(SEE NOTE 2)

HOUSING MATERIAL \_\_\_\_\_  
(SEE NOTE 1)

ADD MS P/N'S EC NO: UCF2016-0302 DRAWN: JMOUIT 2015/07/20 CHKD: BELLE 2015/07/20 APPROVED: SMITH 2015/07/23	QUALITY SYMBOLS	GENERAL TOLERANCES (UNLESS SPECIFIED)		DIMENSION STYLE		SCALE 4:1	DESIGN UNITS METRIC	THIRD ANGLE PROJECTION
		mm	INCH	IN/MM	DATE			
▽=0	4 PLACES ±---	±---	±---	DRAWN BY GEP	DATE 1990/06/07	MINI-FIT JR. VERT. HDR. ASSY. W/PEGS (SINGLE ROW)	SDA-5566-03*3*	SHEET NO. 1 OF 1
▽=0	3 PLACES ±---	±.010	±.020	CHECKED BY RJF	DATE 1990/06/07			
▽=0	2 PLACES ±0.25	±---	±---	APPROVED BY F SMITH	DATE 2012/09/05			
▽=0	1 PLACE ±0.50	±---	±---	MATERIAL NO.	DOCUMENT NO.			
		ANGULAR ±1/2°		SEE CHART		THIS DRAWING CONTAINS INFORMATION THAT IS PROPRIETARY TO MOLEX INCORPORATED AND SHOULD NOT BE USED WITHOUT WRITTEN PERMISSION		