

Excellent Integrated System Limited

Stocking Distributor

Click to view price, real time Inventory, Delivery & Lifecycle Information:

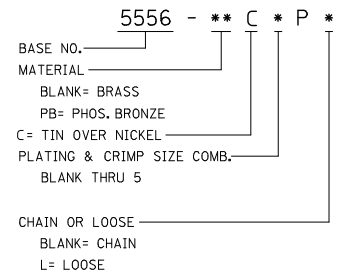
[Molex Connector Corporation](#)
[0050348582](#)

For any questions, you can email us directly:

sales@integrated-circuit.com

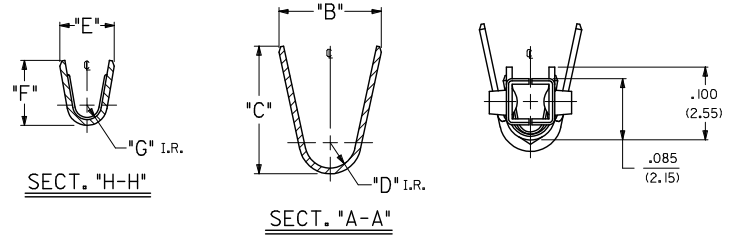
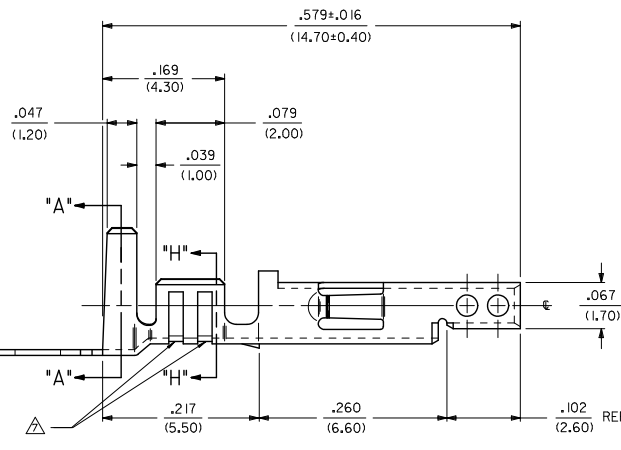
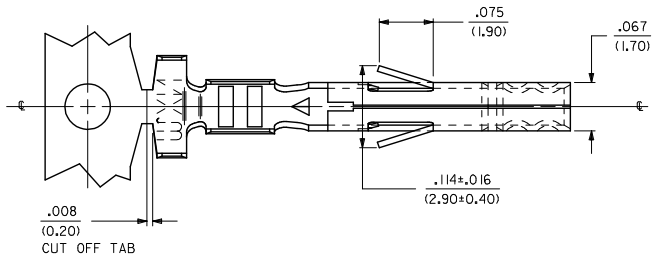
| PART NO. | ENG. NO. | MAT'L. | PLATE | WIRE GAGE | DIM. "B" | DIM. "C" | DIM. "D" | DIM. "E" | DIM. "F" | DIM. "G" | | |
|------------|-------------|--------|-------|-----------|--------------------------|--------------------------|--------------------------|--------------------------|--------------------------|--------------------------|--------------------------|----------------|
| 50-34-8582 | 5556-CP | A | A | 18-24 GA. | .142±.012 (3.60±0.30) | .177±.016 (4.50±0.40) | .035 (0.90) | .075±.012 (1.90±0.30) | .09±.016 (2.40±0.40) | .020 (0.50) | | |
| 26-01-3196 | 5556-CPL | | | 22-28 GA. | .09±.012 (2.30±0.30) | .09±.016 (2.30±0.40) | .024 (0.60) | .071±.012 (1.80±0.30) | .065±.016 (1.65±0.40) | .016 (0.40) | | |
| 50-34-8541 | 5556-C2PL | | | B | A | 16 GA. | .142±.012 (3.60±0.30) | .177±.016 (4.50±0.30) | .035 (0.90) | .09±.012 (2.30±0.30) | .106±.016 (2.70±0.40) | .024 (0.60) |
| 50-34-8543 | 5556-C3PL | | | | | 18-24 GA. | .142±.012 (3.60±0.30) | .177±.016 (4.50±0.40) | .035 (0.90) | .075±.012 (1.90±0.30) | .09±.016 (2.40±0.40) | .020 (0.50) |
| 26-01-3197 | 5556-PBCP | | | | | 22-28 GA. | .09±.012 (2.30±0.30) | .09±.016 (2.30±0.40) | .024 (0.60) | .071±.012 (1.90±0.30) | .065±.016 (2.40±0.40) | .016 (0.40) |
| 50-34-8583 | 5556-PBCPL | | | | | 16 GA. | .142±.012 (3.60±0.30) | .177±.016 (4.50±0.30) | .035 (0.90) | .09±.012 (2.30±0.30) | .106±.016 (2.70±0.40) | .024 (0.60) |
| 26-01-3198 | 5556-PBC2P | B | A | 18-24 GA. | .142±.012 (3.60±0.30) | .177±.016 (4.50±0.40) | .035 (0.90) | .075±.012 (1.90±0.30) | .09±.016 (2.40±0.40) | .020 (0.50) | | |
| 50-34-8584 | 5556-PBC2PL | | | 22-28 GA. | .09±.012 (2.30±0.30) | .09±.016 (2.30±0.40) | .024 (0.60) | .071±.012 (1.90±0.30) | .065±.016 (2.40±0.40) | .016 (0.40) | | |
| 26-01-3199 | 5556-PBC3P | | | 16 GA. | .142±.012 (3.60±0.30) | .177±.016 (4.50±0.30) | .035 (0.90) | .09±.012 (2.30±0.30) | .106±.016 (2.70±0.40) | .024 (0.60) | | |
| 50-34-8585 | 5556-PBC3PL | | | | | | | | | | | |

LEGEND:



NOTES

- MATERIAL:
A= BRASS
B= PHOS. BRONZE
- FINISH:
A= .00100/(.00254) MIN MATTE TIN OVER .00050/(.00127) MIN. NICKEL
- PRODUCT SPECIFICATION: PS-5556-001, PS-5556-002, PS-5556-003.
- PACKAGING SPECIFICATION: PK-5556-001 FOR CHAIN TERMINALS.
PK-5556-003 FOR LOOSE TERMINALS.
- MATES WITH: 5558, 5566, 5569, 30069, 30070, 42440, 42404, 43879, 43810, 44068.
- APPLICABLE HOUSINGS: 5557, 30067, 43760, 44516, OR 42474.
- THE NUMBER OF SERRATIONS TO BE ONE FOR WIRE RANGE #22-28.
- WHEN TERMINALS ARE INSTALLED IN THE HOUSING THE WIRES ARE TO BE DRESSED IN SUCH A MANNER TO ALLOW THE TERMINALS TO FLOAT FREELY IN THE POCKET.
- THIS TERMINAL IS DESIGNED FOR SINGLE WIRE CRIMPING.
- PART CONFORMS TO CLASS "B" REQUIREMENTS OF COSMETIC SPECIFICATION PS-45499-002.



| | | | | |
|----------------------------------------------------------------------------------------------------------------------|--------------------------------------|------------------------------------------------------------------------------------------------------------------------------------------------------------------|------------------------------------------------------------------------------------------------------------------------------------------------|-------------------------------------------------------------|
| CREATE DWG EC NO: UCP2011-0345 DRAWN: JAGUILAR 2010/08/06 CHKD: BELL 2010/08/06 APPROV: SMITH 2010/08/20 | QUALITY SYMBOLS ∇=0 ∇=0 ∇=0 | GENERAL TOLERANCES (UNLESS SPECIFIED) mm INCH 4 PLACES ±.--- ±.--- 3 PLACES ±.--- ±.010 2 PLACES ±0.25 ±.014 1 PLACE ±0.36 ±.--- ANGULAR ±1/2° | DIMENSION STYLE IN/MM DRAWN BY: JJAGUILAR DATE: 2010/08/06 CHECKED BY: JBELL DATE: 2010/08/09 APPROVED BY: FSMITH DATE: 2010/08/20 | SCALE: 10:1 DESIGN UNITS: INCH THIRD ANGLE PROJECTION |
| | | DRAFT WHERE APPLICABLE MUST REMAIN WITHIN DIMENSIONS | MATERIAL NO. SEE CHART DOCUMENT NO. SD-5556-CP* | SHEET NO. 1 OF 1 |
| | | THIS DRAWING CONTAINS INFORMATION THAT IS PROPRIETARY TO MOLEX INCORPORATED AND SHOULD NOT BE USED WITHOUT WRITTEN PERMISSION | | |
| | | MOLEX INCORPORATED | | |