



Distributor of Molex Connector Corporation: Excellent Integrated System Limited
Datasheet of 0367570147 - Connector Header 15 Position 0.250" (6.35mm) Tin Through Hole

Contact us: sales@integrated-circuit.com Website: www.integrated-circuit.com

Excellent Integrated System Limited

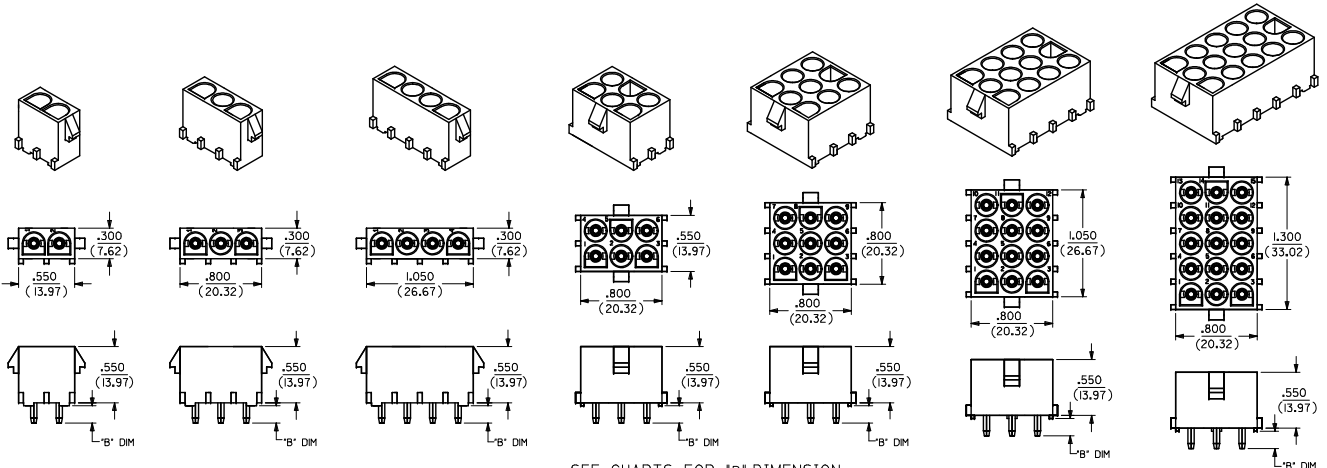
Stocking Distributor

Click to view price, real time Inventory, Delivery & Lifecycle Information:

[Molex Connector Corporation](#)
[0367570147](#)

For any questions, you can email us directly:

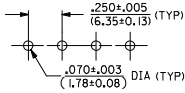
sales@integrated-circuit.com



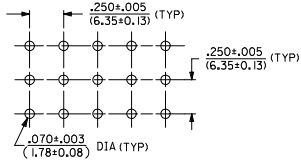
SEE CHARTS FOR "B" DIMENSION

**P.C. BOARD
MOUNTING DIMENSIONS**

2, 3, & 4 POSITION HEADER ASSEMBLIES



6, 9, 12 & 15 POSITION HEADER ASSEMBLIES



NOTES:

1. MATERIAL: NYLON PA6. UL94 V-2. COLOUR: NATURAL(WHITE)
GLOW WIRE COMPATIBLE WITH CTI OF 325V
2. TERMINAL PLATING: ES-88-P921
140 Hn(3.54) MIN 240 Hn(6.14) MAX OVERALL TIN HOT-DIPPED
3. TERMINAL FOR .062(1.57) THICK PC BOARD
4. DIMENSIONS ARE FOR REFERENCE ONLY UNLESS INDICATED OTHERWISE
5. HEADER ASSEMBLY HOUSING MATE WITH:
PLUG HOUSINGS .084(2.13)DIA. SERIES 36643
6. CONTACTS ARE ON .250(6.35) GRID CENTERLINE SPACING
7. REFER PACKAGING SPECIFICATION
- PK-43255-001 FOR 2.3 & 4 CIRCUIT
- PK-43255-003 FOR 6.9,12 & 15 CIRCUIT

RoHS COMPLIANT

INITIAL RELEASE EC NO: 2016-0100 DRWNS306 CHKD: APPR: SHWARG 2016/04/18 2016/05/09	QUALITY SYMBOLS ∇=0 ∇=0 ∇=0	GENERAL TOLERANCES (UNLESS SPECIFIED)		DIMENSION STYLE IN/MM		SCALE 1:1	DESIGN UNITS INCH	THIRD ANGLE PROJECTION	
		4 PLACES ±--- ±.0002 3 PLACES ±0.005 ±.005 2 PLACES ±0.13 ±.01 1 PLACE ±0.25 ±--- 0 PLACE ±--- ±---		DRAWN BY SS06 DATE 2016/04/18 CHECKED BY DATE		TITLE MLX HEADER ASSEMBLY .084(2.13) DIA SERIES			
		APPROVED BY ISHWARG DATE 2016/05/09		MATERIAL NO. SEE CHART SIZE A		DOCUMENT NO. SD-36757-0002		SHEET NO. 1 OF 2	
		DRAFT WHERE APPLICABLE MUST REMAIN WITHIN DIMENSIONS THIS DRAWING CONTAINS INFORMATION THAT IS PROPRIETARY TO MOLEX INCORPORATED AND SHOULD NOT BE USED WITHOUT WRITTEN PERMISSION							

PART NUMBER	CIRCUIT SIZE	PIN(1) OR SOCKET(2) TERMINALS	"B" DIM ±0.15
36757-0101	2	1	0.17/(4.3)
36757-0141		2	
36757-0102	3	1	
36757-0142		2	
36757-0103	4	1	
36757-0143		2	
36757-0104	6	1	
36757-0144		2	
36757-0105	9	1	
36757-0145		2	
36757-0106	12	1	
36757-0146		2	
36757-0107	15	1	
36757-0147		2	

RoHS COMPLIANT

INITIAL RELEASE EC NO: 12016-0100 DRWN:SS06 CHKD: APPR: SHWARG 2016/04/18 2016/05/09 DESCRIPTION REV: A	QUALITY SYMBOLS	GENERAL TOLERANCES (UNLESS SPECIFIED)	DIMENSION STYLE IN/MM	SCALE 1:1	DESIGN UNITS INCH	THIRD ANGLE PROJECTION
	▽=0	4 PLACES ± --- ±.0002	DRAWN BY SS06 DATE 2016/04/18	TITLE	MLX HEADER ASSEMBLY .084/(2.13) DIA SERIES	
	▽=0	3 PLACES ± 0.005 ±.005	CHECKED BY DATE			
	▽=0	2 PLACES ± 0.13 ±.01	APPROVED BY DATE			
		1 PLACE ± 0.25 ± ---	0 PLACE ± --- ± ---	SHWARG 2016/05/09	MATERIAL NO.	DOCUMENT NO.
	ANGULAR ±1/2°	DRAFT WHERE APPLICABLE MUST REMAIN WITHIN DIMENSIONS	SEE CHART	SD-36757-0002	2 OF 2	