

## Excellent Integrated System Limited

Stocking Distributor

Click to view price, real time Inventory, Delivery & Lifecycle Information:

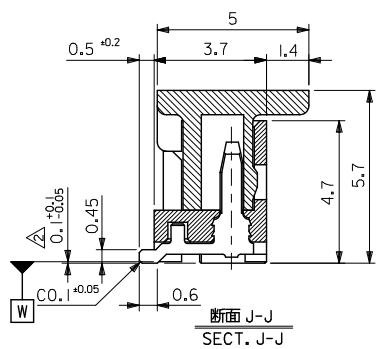
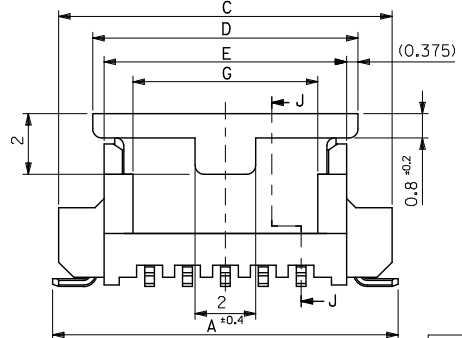
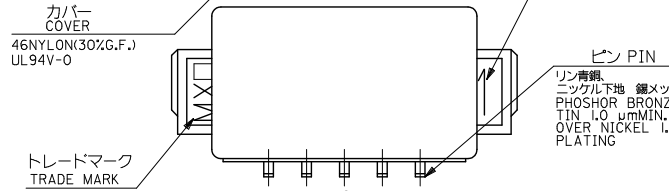
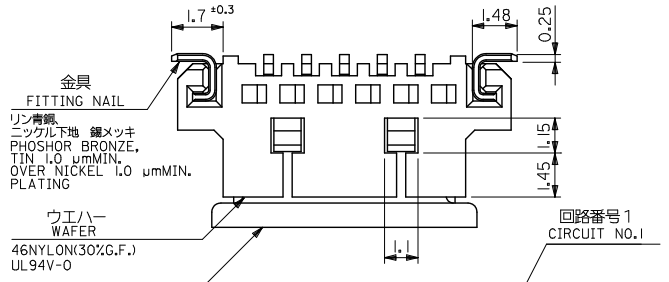
[Molex Connector Corporation](#)  
[0533980567](#)

For any questions, you can email us directly:  
[sales@integrated-circuit.com](mailto:sales@integrated-circuit.com)

10 9 8 7 6 5 4 3 2 1

**NOTES**

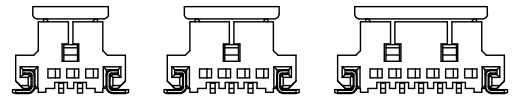
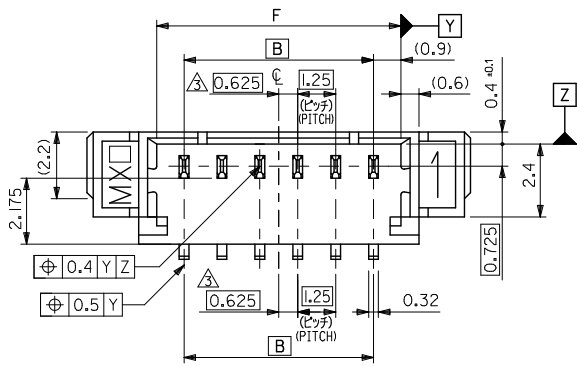
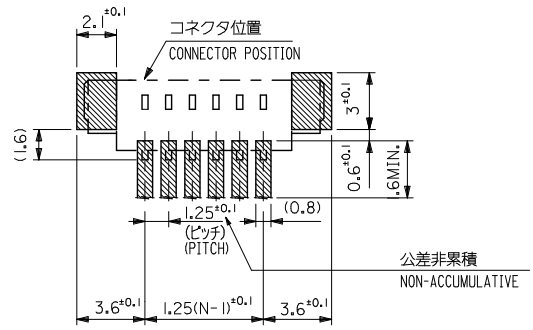
1. 嵌合相手:51021シリーズ MATE WITH :51021 SERIES
2.  $\triangle$  水平面上においての、ウエハー底面 [W] とソルダーテール及びフィッティングネイル底面とのズレ量を示す。  
MISALIGNMENT OF SOLDER TAIL & FITTING NAIL FROM [W]
3.  $\triangle$  偶数種このみ適用。APPLY EVEN CIRCUIT PRODUCTS.
4. 本製品は 53398-\*\*\*20 の鉛フリー品である。  
THIS PRODUCT IS LEAD FREE OF 53398-\*\*\*20.



17.35	18.05	19.25	20	22.25	16.25	22.3	53398-1429	14
14.85	15.55	16.75	17.5	19.75	13.75	20.15	53398-1229	12
9.85	10.55	11.75	12.5	14.75	8.75	15.15	53398-0829	8
8.6	9.3	10.5	11.25	13.5	7.5	13.9	53398-0729	7
7.35	8.05	9.25	10	12.25	6.25	12.65	53398-0629	6
6.1	6.8	8	8.75	11	5	11.4	53398-0529	5
4.85	5.55	6.75	7.5	9.75	3.75	10.15	53398-0429	4
3.6	4.3	5.5	6.25	8.5	2.5	8.9	53398-0329	3
2.35	3.05	4.25	5	7.25	1.25	7.65	53398-0229	2
G	F	E	D	C	B	A	MATERIAL NO.	CIRCUITS

<p>REVISED</p> <p>EC NO. J2016-1122</p> <p>DRWNG#E31</p> <p>CHKD:SAKIYAMA</p> <p>APPR:IKANEKO</p> <p>2016/04/27</p> <p>2016/05/06</p> <p>2016/05/06</p>	GENERAL TOLERANCES (UNLESS SPECIFIED)			DIMENSION STYLE		SCALE	DESIGN UNITS	MODEL NO.	
	0.25 UNDER UNDER ±0.03			MM ONLY		8:1	METRIC	53398-***29	
	0.25 OVER 0.5 UNDER ±0.05			DRAWN BY DATE		TITLE			
	0.5 OVER 1.0 UNDER ±0.1			Y.SAKIYAMA 2004/02/12		1.25 W/B CONN. WAFER ASSY FOR SMT WITH COVER -LEAD FREE-			
	1.0 OVER 10 UNDER ±0.2			CHECKED BY DATE		THIRD ANGLE PROJECTION			
	10 OVER 30 UNDER ±0.25			M.SASAO 2004/02/12		molex			
	30 OVER ±0.3			APPROVED BY DATE		DOCUMENT NO.		SHEET NO.	
	ANGULAR ±3 °			MATERIAL NO.		SD-53398-034		1 OF 2	
	DRAFT WHERE APPLICABLE MUST REMAIN WITHIN DIMENSIONS			SEE CHART		THIS DRAWING CONTAINS INFORMATION THAT IS PROPRIETARY TO MOLEX ELECTRONIC TECHNOLOGIES, LLC AND SHOULD NOT BE USED WITHOUT WRITTEN PERMISSION			
	SIZE A3								

9 8 7 6 5 4 3 2 1

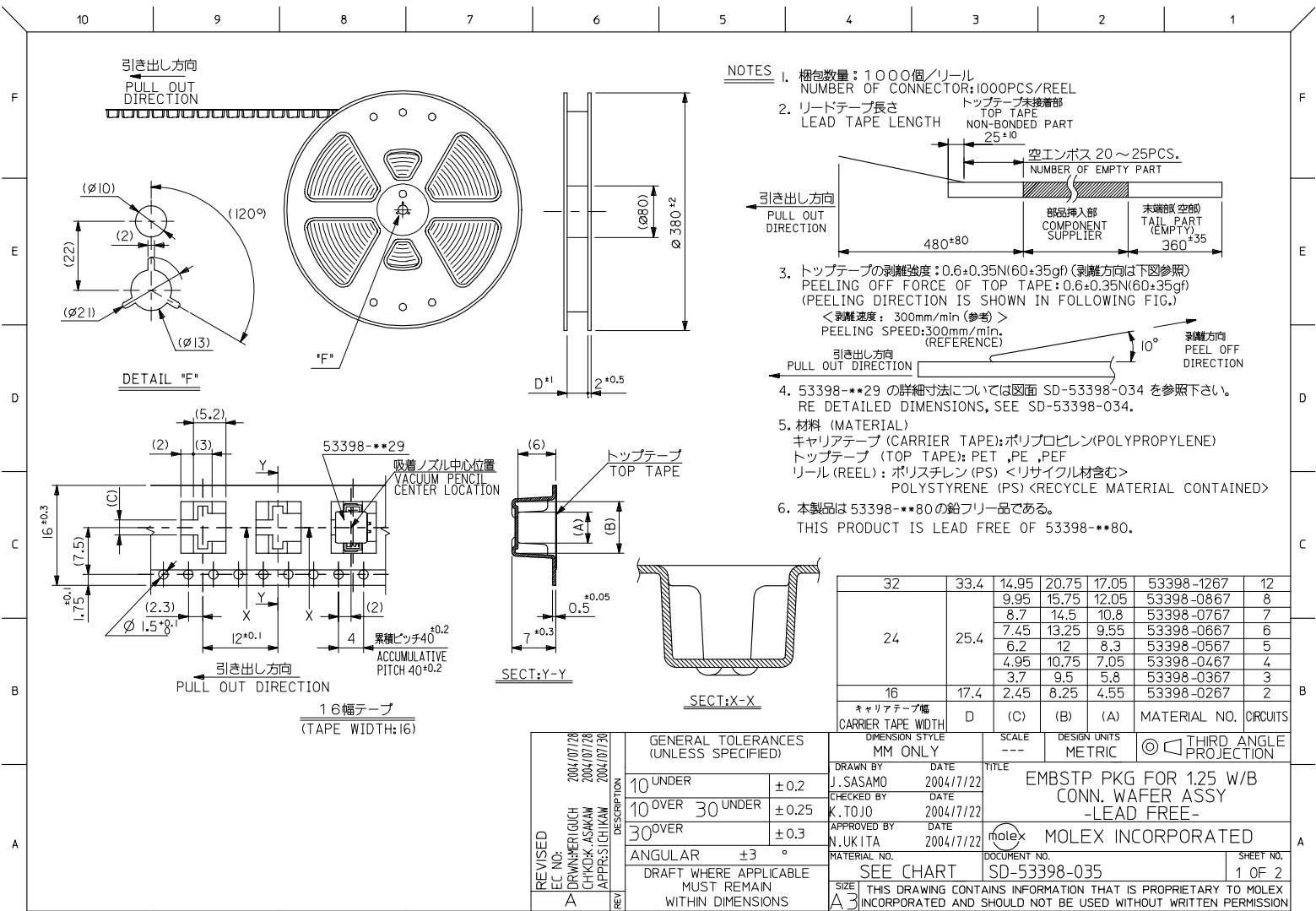


ロック形状図  
LOCK CONFIGURATION

NOTES

- △ ロック窓は、2、3種は1ヶ所、4種以上は2ヶ所とする。  
LOCKING WINDOW : ONE PLACE FOR 2&3 CKTS.  
TWO PLACES FOR MORE THAN 4 CKTS.
- 6. ソルダータール及び金具の平坦度は0.1以下。  
SOLDER TAIL & FITTING NAIL COPLANARITY TO BE 0.1 MAX.
- 7. ELV及びRoHS適合品  
ELV AND RoHS COMPLIANT.

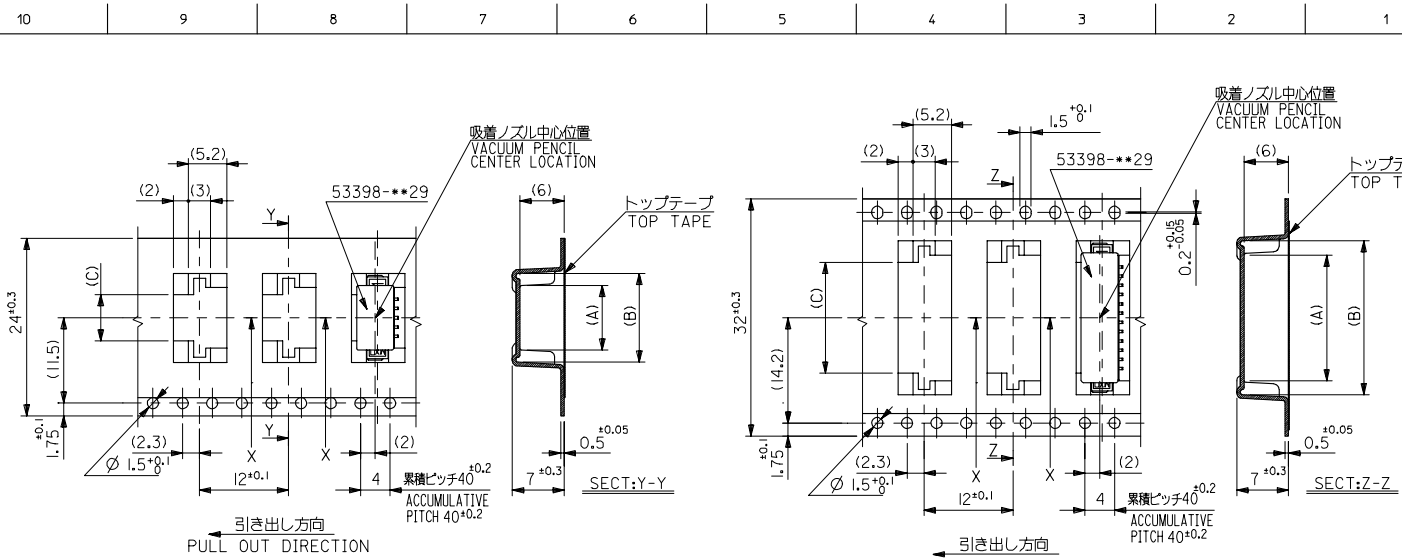
REVISED EC NO. J2016-1122 DRAWING#31 CHKD:SAKIYAMA APPR:IKANEKO	DESCRIPTION 2016/04/27 2016/05/06 2016/05/06	GENERAL TOLERANCES (UNLESS SPECIFIED)		DIMENSION STYLE MM ONLY		SCALE 8:1	DESIGN UNITS METRIC	MODEL NO. 53398-**-29	THIRD ANGLE PROJECTION
		0.25 UNDER	UNDER	±0.03	DRAWN BY Y. SAKIYAMA	DATE 2004/02/12	TITLE 1.25 W/B CONN. WAFER ASSY FOR SMT WITH COVER -LEAD FREE-		
		0.25 OVER	0.5 UNDER	±0.05	CHECKED BY M. SASAO	DATE 2004/02/12	DOCUMENT NO. SD-53398-034		
		0.5 OVER	1.0 UNDER	±0.1	APPROVED BY M. SASAO	DATE 2004/02/12			
		1.0 OVER	10 UNDER	±0.2	MATERIAL NO.		SEE CHART		SHEET NO. 2 OF 2
30 OVER	30 UNDER	±0.25	DRAFT WHERE APPLICABLE MUST REMAIN WITHIN DIMENSIONS		THIS DRAWING CONTAINS INFORMATION THAT IS PROPRIETARY TO MOLEX ELECTRONIC TECHNOLOGIES, LLC AND SHOULD NOT BE USED WITHOUT WRITTEN PERMISSION				



- NOTES**
1. 梱包数量: 1000個/リール  
NUMBER OF CONNECTOR: 1000PCS/REEL
  2. リードテープ長さ  
LEAD TAPE LENGTH  
トップテープ未接合部  
NON-BONDED PART  
25<sup>+10</sup>  
空インボス 20~25PCS.  
NUMBER OF EMPTY PART  
部品挿入部  
COMPONENT SUPPLIER  
末端部(空部)  
TAIL PART (EMPTY)  
360<sup>+35</sup>
  3. トップテープの剥離強度: 0.6±0.35N(60±35gf) (剥離方向は下図参照)  
PEELING OFF FORCE OF TOP TAPE: 0.6±0.35N(60±35gf)  
(PEELING DIRECTION IS SHOWN IN FOLLOWING FIG.)  
<剥離速度: 300mm/min (参考)>  
PEELING SPEED: 300mm/min (REFERENCE)  
10°  
剥離方向  
PEEL OFF DIRECTION
  4. 53398-\*\*-29の詳細寸法については図面 SD-53398-034を参照下さい。  
RE DETAILED DIMENSIONS, SEE SD-53398-034.
  5. 材料 (MATERIAL)  
キャリアテープ (CARRIER TAPE): ポリプロピレン (POLYPROPYLENE)  
トップテープ (TOP TAPE): PET, PE, PEF  
リール (REEL): ポリスチレン (PS) <リサイクル材含む>  
POLYSTYRENE (PS) <RECYCLE MATERIAL CONTAINED>
  6. 本製品は 53398-\*\*-80の鉛フリー品である。  
THIS PRODUCT IS LEAD FREE OF 53398-\*\*-80.

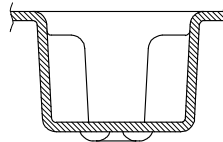
32	33.4	14.95	20.75	17.05	53398-1267	12
24	25.4	9.95	15.75	12.05	53398-0867	8
		8.7	14.5	10.8	53398-0767	7
		7.45	13.25	9.55	53398-0667	6
		6.2	12	8.3	53398-0567	5
		4.95	10.75	7.05	53398-0467	4
16	17.4	3.7	9.5	5.8	53398-0367	3
		2.45	8.25	4.55	53398-0267	2

REVISED EC NO: A	DESCRIPTION 2004/07/28 DRW: M. ITO CHK: K. ASAKAWA APP: S. CHIKAMA 2004/07/30	GENERAL TOLERANCES (UNLESS SPECIFIED)		DRAWN BY J. SASAMO 2004/17/22	DATE 2004/17/22	TITLE EMBSTP PKG FOR 125 W/B CONN. WAFER ASSY -LEAD FREE-			
		10 UNDER	±0.2				MATERIAL NO. SEE CHART	DOCUMENT NO. SD-53398-035	
		10 OVER 30 UNDER	±0.25						SHEET NO. 1 OF 2
		30 OVER	±0.3						
ANGULAR ±3°									
DRAFT WHERE APPLICABLE MUST REMAIN WITHIN DIMENSIONS		SIZE A3		THIS DRAWING CONTAINS INFORMATION THAT IS PROPRIETARY TO MOLEX INCORPORATED AND SHOULD NOT BE USED WITHOUT WRITTEN PERMISSION					



24幅テープ  
(TAPE WIDTH:24)

32幅テープ  
(TAPE WIDTH:32)



SECT:X-X

REVISED EC NO: A	2004/07/28	DRW:MERIGUCHI	2004/07/28	CHK:KIKI ASAKAWA	2004/07/28	APP:PSJ (HIKAWA)	2004/07/30	GENERAL TOLERANCES (UNLESS SPECIFIED)		DIMENSION STYLE MM ONLY	SCALE ---	DESIGN UNITS METRIC	THIRD ANGLE PROJECTION
	10 UNDER	±0.2	10 OVER	30 UNDER	±0.25	30 OVER	±0.3	DRAWN BY J. SASAMO	DATE 2004/7/22	TITLE EMBSTP PKG FOR 1.25 W/B CONN. WAFER ASSY -LEAD FREE-			
	ANGULAR ±3 °			DRAFT WHERE APPLICABLE MUST REMAIN WITHIN DIMENSIONS			APPROVED BY N. UKITA	DATE 2004/7/22	MATERIAL NO. SEE CHART	DOCUMENT NO. SD-53398-035	MOLEX INCORPORATED		
	THIS DRAWING CONTAINS INFORMATION THAT IS PROPRIETARY TO MOLEX INCORPORATED AND SHOULD NOT BE USED WITHOUT WRITTEN PERMISSION										SHEET NO. 2 OF 2		