

Excellent Integrated System Limited

Stocking Distributor

Click to view price, real time Inventory, Delivery & Lifecycle Information:

[Molex Connector Corporation](#)
[0733000090](#)

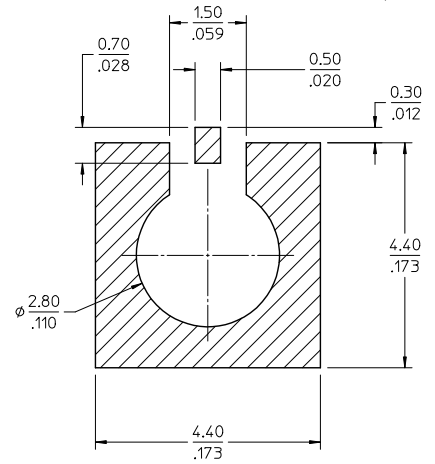
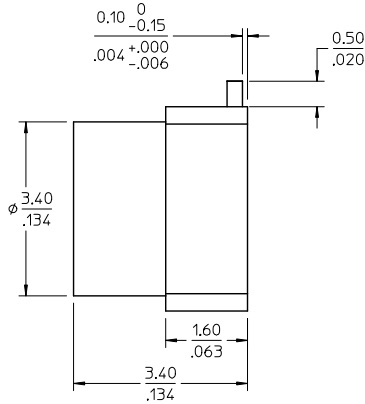
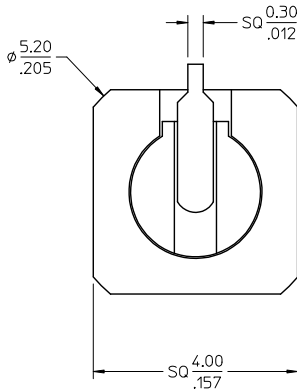
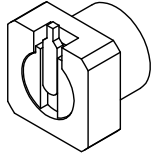
For any questions, you can email us directly:

sales@integrated-circuit.com

MATERIALS AND FINISHES:

OUTER CONTACT, CENTER CONTACT: BRASS
FINISH: GOLD OVER NICKEL PHOSPHOR

INSULATOR: TEFLON



PCB LAYOUT
HATCHED AREA IS SOLDER PAD

73300-0092	TAPE AND REEL WITH KAPTON TAPE
73300-0091	TAPE AND REEL (1500 PCS)
73300-0090	SMPM PLUG FULL DETENT INTERFACE (TRAY)
PART NO.	DESCRIPTION

MIL-STD-348A, FIG. 328.2	INTERFACE
SPECIFICATION	DESCRIPTION

CHG: UPDATE INS CONTACT VIEWS EC NO: URF2015-0122 DRWN: JLEEDZ 2011/08/02 CHKD: SSS 2011/08/02 APPR: WJW 2011/08/08	QUALITY SYMBOLS ▽=0 ▽=0	GENERAL TOLERANCES (UNLESS SPECIFIED)		DIMENSION STYLE MM/IN		SCALE	DESIGN UNITS	THIRD ANGLE PROJECTION
		mm	INCH	DRAWN BY	DATE	TITLE	METRIC SMPL, PLUG VERTICAL PCB FULL DETENT, SMT 50 OHM EWR-4767, SMPM-PCB	MOLEX INCORPORATED
		4 PLACES ±	±	JLEEDZ	2011/08/02			
		3 PLACES ±	±	CHECKED BY	DATE			
2 PLACES ±	±	SSS	2011/08/02					
1 PLACE ±	±	APPROVED BY	DATE					
		WJW	2011/08/08					
DRAFT WHERE APPLICABLE MUST REMAIN WITHIN DIMENSIONS		MATERIAL NO. SEE TABLE		DOCUMENT NO. SD-73300-009		SHEET NO. 1 OF 1		
THIS DRAWING CONTAINS INFORMATION THAT IS PROPRIETARY TO MOLEX INCORPORATED AND SHOULD NOT BE USED WITHOUT WRITTEN PERMISSION								