

Excellent Integrated System Limited

Stocking Distributor

Click to view price, real time Inventory, Delivery & Lifecycle Information:

[Molex Connector Corporation](#)
[0764951228](#)

For any questions, you can email us directly:

sales@integrated-circuit.com

MATERIAL NUMBER	# OF COLUMNS	# OF DIFF PAIR	DIM 'A' MAX	DIM 'B'	PTH Ø
76495-18**	8	32	15.20	13.30	0.46±0.05
76495-11**	10	40	19.00	17.50	0.46±0.05
76495-16**	16	64	30.40	28.50	0.46±0.05
76495-18**	8	32	15.20	13.30	0.39±0.05
76495-11**	10	40	19.00	17.50	0.39±0.05
76495-16**	16	64	30.40	28.50	0.39±0.05
76495-17**	14	56	26.60	24.70	0.46±0.05
76495-17**	14	56	26.60	24.70	0.39±0.05
76495-12**	12	48	22.80	20.90	0.46±0.05
76495-12**	12	48	22.80	20.90	0.39±0.05

76495-1***

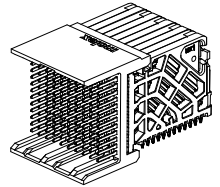
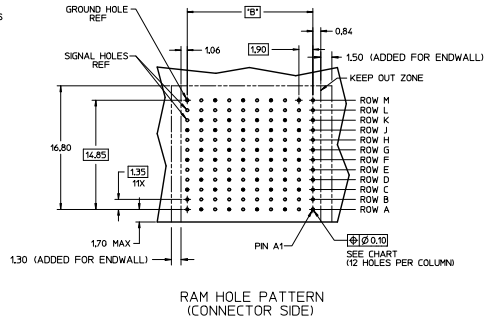
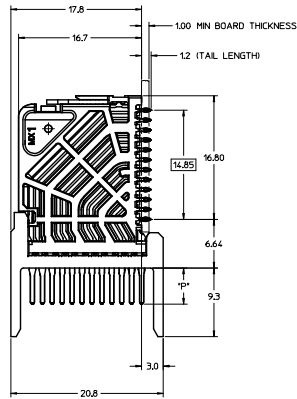
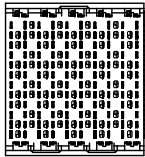
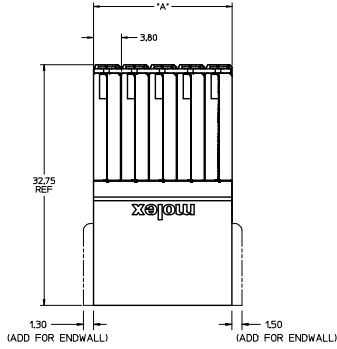
MODULE TYPE
1 - UNGUIDED, LEAD-FREE

PIN LENGTH (P)
4 = 4.90 (0.46 PTH)
5 = 5.50 (0.46 PTH)
7 = 4.90 (0.39 PTH)
8 = 5.50 (0.39 PTH)

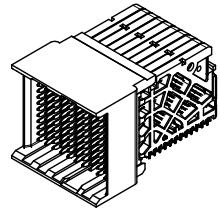
OF COLUMNS
1 = 10 COLUMNS
6 = 16 COLUMNS
8 = 8 COLUMNS
7 = 14 COLUMNS
2 = 12 COLUMNS

END WALL OPTIONS
0 = OPEN ENDS
1 = LEFT ENDWALL
2 = DUAL ENDWALL
3 = RIGHT ENDWALL

- NOTES:
1. MATERIALS: HOUSING - LIQUID CRYSTAL POLYMER (LCP), GLASS-FILLED, UL94V-0
TERMINALS - HIGH PERFORMANCE COPPER ALLOY
 2. FINISH: 30NM SELECTIVE GOLD IN CONTACT AREA, SELECTIVE TIN ON PCB TAILS, NICKEL OVERALL
 3. REFER TO MOLEX PRODUCT SPECIFICATION PS-170540-999 FOR PERFORMANCE SPECIFICATIONS AND ADDITIONAL PCB INFORMATION.
 4. EACH SIGNAL WAFER CONTAINS 2 COLUMNS OF TERMINALS.
 5. PRODUCT IS PACKAGED PER PK-70873-041.
 6. THIS PART CONFORMS TO CLASS B REQUIREMENTS OF COSMETIC SPEC PS-45499-002.
 7. REFER TO MOLEX SALES DRAWING SD-170340-001 FOR THE MATING RECEPTABLES.
 8. REFER TO MOLEX PCB ROUTING GUIDE AS-76060-990 FOR ANTIPOP AND ROUTING RECOMMENDATIONS.
 9. GROUND PATHS ARE NOT DISCRETE CIRCUITS.

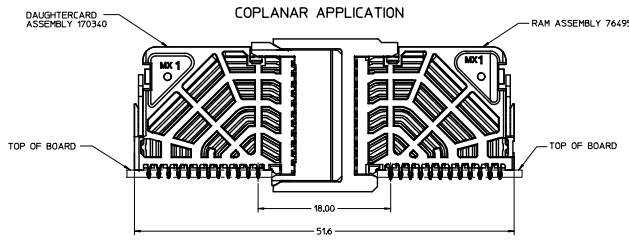
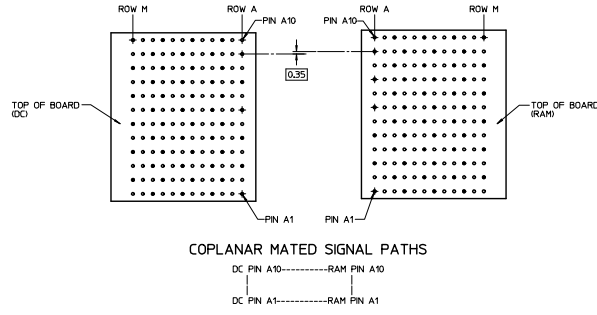


OPEN END OPTION



DUAL WALL OPTION

QUALITY SYMBOLS	GENERAL TOLERANCES (UNLESS SPECIFIED)		DIMENSION STYLE		SCALE	DESIGN UNITS	THIRD ANGLE PROJECTION
	mm	INCH	MM ONLY	INCH			
∇=0	4 PLACES ±---	±---	JLAURX	DATE 2010/11/16	4:1	METRIC	IMPACT 4 PAIR PLUS 850HM RAM SIGNAL MODULE UNGUIDED SALES DRAWING
∇=0	3 PLACES ±---	±---	SHREBY	DATE			
	2 PLACES ±0.13	±---	APPROVED BY	DATE	MOLEX INCORPORATED		SD-76495-001
	1 PLACE ±0.25	±---	TELO	2014/03/21	MOLEX INCORPORATED		
DRAFT WHERE APPLICABLE MUST REMAIN WITHIN DIMENSIONS			SEE CHART		DOCUMENT NO.		SHEET NO.
			THIS DRAWING CONTAINS INFORMATION THAT IS PROPRIETARY TO MOLEX INCORPORATED AND SHOULD NOT BE USED WITHOUT WRITTEN PERMISSION				1 OF 2



REMOVED PRE MARK EC NO. LF2704-413 DRAWN/REUSE 28/11/07/28 CHECK APPRELO 20/11/06/22 MKT DESCRIPTION	QUALITY SYMBOLS ▽=0 ▽=0	GENERAL TOLERANCES (UNLESS SPECIFIED): mm INCH 4 PLACES ±--- ±--- 3 PLACES ±--- ±--- 2 PLACES ±0.13 ±--- 1 PLACE ±0.25 ±--- ANGULAR ±1/2°	DIMENSION STYLE MM ONLY	SCALE 4:1	DESIGN UNITS METRIC	THIRD ANGLE PROJECTION	
	DRAWN BY JL AURX	DATE 2010/11/16	CHECKED BY DATE	APPROVED BY TELG	DATE 2014/03/21	TITLE IMPACT 4 PAIR PLUS 850HM RAM SIGNAL MODULE UNGUIDED SALES DRAWING	MOLEX INCORPORATED
	MATERIAL NO. SEE CHART	DOCUMENT NO. SD-76495-001	SHEET NO. 2 OF 2	THIS DRAWING CONTAINS INFORMATION THAT IS PROPRIETARY TO MOLEX INCORPORATED AND SHOULD NOT BE USED WITHOUT WRITTEN PERMISSION			
	DRAFT WHERE APPLICABLE MUST REMAIN WITHIN DIMENSIONS						